

DS-MH1391
Portable PTZ Dome Battery



- High capacity lithium ion battery.

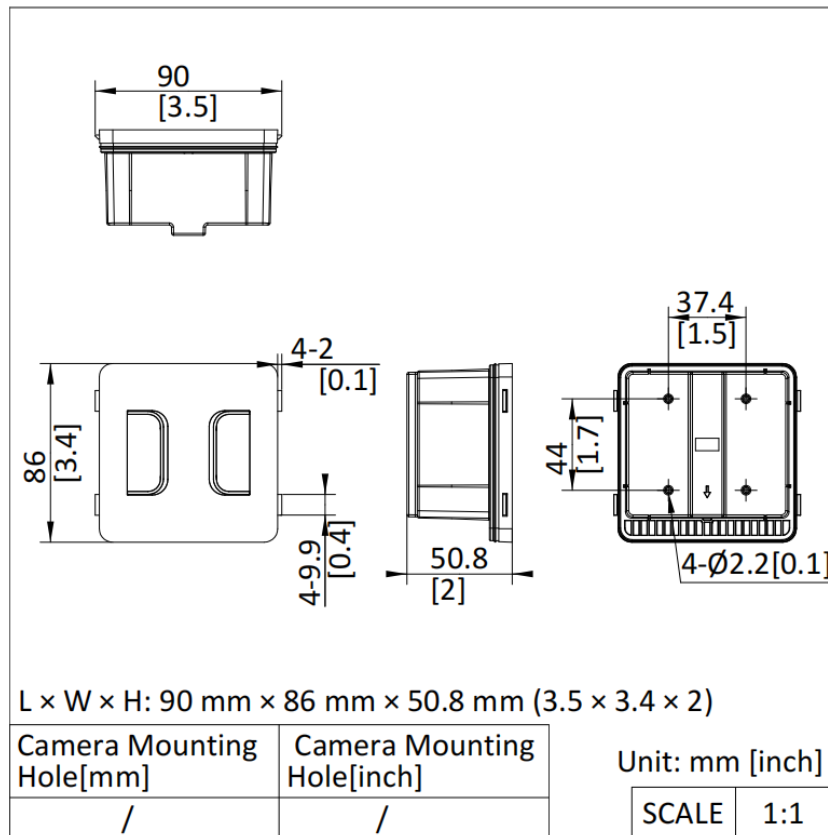
▪ Specification

Battery	
Capacity	13400 mAh
Battery Type	Lithium ion battery
Charging Time	< 4 h
Warranty	
Warranty	1 year

▪ Available Model

DS-MH1391

▪ Dimension



▪ Accessory



iDS-MCD402-ES



iDS-MCD242



iDS-MCD402-ES#EU



iDS-MCD402-E

See Far, Go Further



www.hikvision.com
support@hikvision.com

