

## DS-2XM6756G1-I(D)(M)(/ND) Mobile Dome Camera



- High quality imaging with 5MP resolution
- 2/2.8/4 mm fixed lens
- Clear imaging against strong back light based on 120 dB WDR technology
- Water and dust resistant (IP67) and vandal resistant(IK10)

## ▪ Specification

Camera	
Protection Level	IP67, IK10
Min. Illumination	0.01Lux @ (F1.6, AGC ON), 0lux with IR
Shutter Speed	1/3 s to 1/100,000 s
Resolution	5MP
P/N	PAL: 25fps NTSC: 30fps (30fps is not supported under 2560 × 1920 main code stream)
Day & Night	IR Cut Filter
Angle Adjustment	Pan: -30°~+30°, Tilt: 0°~75°, Rotate: 0°~ 360°
Sensor Type	1/2.8" CMOS Progressive Scan
White Balance	Support 4 white balance configurations: fluorescent lamp, incandescent lamp, warm lamp and natural light; Support manual/automatic white balance adjustment.
Lens	
Focal Length	2mm/2.8mm/4mm
Focal Length & FOV	2 mm, horizontal FOV 122°, vertical FOV 93°, diagonal FOV 152° 2.8 mm, horizontal FOV 95°, vertical FOV 69°, diagonal FOV 126° 4 mm, horizontal FOV 78°, vertical FOV 55°, diagonal FOV 105°
Lens Mount	M12
Focus	Manual focus
Max. Aperture	2mm:F2.25 2.8 /4mm: F1.6
Illuminator	
Supplement Light Type	Infrared fill light lamp
Smart Supplement Light	Support
IR Wavelength	850nm
IR Range	Up to 10m
Video	
Max. Resolution	2560 × 1920
Main Stream	Third Stream ON: 50Hz: 25 fps (2560 × 1920, 1920 × 1080, 1280 × 960, 1280 × 720) 60Hz: 30 fps (1920 × 1080, 1280 × 960, 1280 × 720) Third Stream OFF: 50Hz: 25 fps (2560 × 1920, 1920 × 1080, 1280 × 960, 1280 × 720) 60Hz: 30 fps (2560 × 1920, 1920 × 1080, 1280 × 960, 1280 × 720)

### Headquarters

No.555 Qianmo Road, Binjiang District,  
Hangzhou 310051, China  
T +86-571-8807-5998  
www.hikvision.com



Follow us on social media to get the latest product and solution information.



Sub-Stream	Third Stream ON: 50Hz: 25 fps (704 × 576, 640 × 480, 352 × 288, 320 × 240) 60Hz: 30 fps (704 × 576, 640 × 480, 352 × 288, 320 × 240) Third Stream OFF: 50Hz: 25 fps (704 × 576, 640 × 480, 352 × 288, 320 × 240) 60Hz: 30 fps (704 × 576, 640 × 480, 352 × 288, 320 × 240)
Third Stream	Third Stream ON: 50Hz: 25 fps (1280 × 720) 60Hz: 30 fps (1280 × 720) Third Stream OFF: 50Hz: 25 fps (0) 60Hz: 30 fps (0)
Video Compression	Main stream: H.264, H.265, H.264+, H.265+ Sub-stream: H.264, H.265, MJPEG, H.264+, H.265+ Third stream: H.264, H.265, H.264+, H.265+
Video Bit Rate	Main Stream: 512 Kbps to 16384Kbps Sub-Stream: 256 Kbps to 4096Kbps Third Stream: 512 Kbps to 6144Kbps
H.264 Type	BaseLine Profile/Main Profile/High Profile
H.265 Type	Main Profile
Bit Rate Control	Constant Bit Rate, Variable Bit Rate
Stream Type	Main stream, sub stream, third stream
Scalable Video Coding (SVC)	H.264 and H.265 encoding
Region Of Interest (ROI)	Support 2 fixed region for (main/sub) stream
<b>Audio</b>	
Audio Compression	G711U, G711A, G726, AAC, G722, PCM
Audio Bit Rate	Raw data PCM:256kbps G711U, G711A, G726_A, AAC,G722.1:≤64kbps
Audio Sampling Rate	16 kHz
Environment Noise Filtering	Yes
<b>Network</b>	
Protocols	TCP/IP,HTTP,HTTPS,DHCP,DNS,DDNS ,RTSP,SNMP,QOS,FTP,RTCP,NTP,UPNP,SMTP,IGMP,ICMP,IPV6,UDP,SSL/TLS
Simultaneous Live View	Up to 8 channels
API	ONVIF (PROFILE S, PROFILE G, PROFILE T), ISAPI, SDK
User Management	Up to 16users, 3 levels: Administrator, Operator and User
Web Browser	IE8+, Chrome45+, Edge41+, Firefox45+
<b>Image</b>	
Wide Dynamic Range (WDR)	120 dB

#### Headquarters

No.555 Qianmo Road, Binjiang District,  
Hangzhou 310051, China  
T +86-571-8807-5998  
www.hikvision.com



Follow us on social media to get the latest product and solution information.



Image Settings	Support rotation mode. Brightness, contrast, saturation and sharpness can be adjusted by browser and client software.
Day/Night Switch	Day/Night/Auto/Schedule
SNR	> 50 dB
Image Enhancement	BLC, HLC, 2DNR ,3DNR
Privacy Mask	Enables configuration, and supports drawing of up to 4 areas
Picture Overlay	Support image overlay, uploading images, enabling, coordinates, etc.
Target Cropping	Support (only the third stream)
Backlight Compensation(BLC)	Support up, down, left, right, center and custom backlight compensation adjustment
<b>Interface</b>	
Video Output	Not supported
Ethernet Interface	-ID: 1 RJ45 10M/100M self-adaptive Ethernet port -IM/ND, IDM: 1 four-core M12 aviation plug
Audio	1 built-in mic, mono sound
Reset Key	Support
Interface Type	Interpolate
TF Card Storage	Built-in Micro TF Slot, up to 256 GB(not for baseline. Note the Micro-TF card capacity when ordering)
<b>Event</b>	
Linkage Method	Upload to FTP, notify monitoring center, send email, trigger recording
Basic Event	Motion detection, video tampering alarm
Smart Event	Line crossing detection, Intrusion detection, Region entrance detection, Region exiting detection, Unattended baggage detection, Object removal detection, Object detection: detects faces and upload images Scene change detection, defocus detection, Loitering Detection, People Gathering Detection, Fast Moving Detection, Parking Detection,
<b>General</b>	
Product Dimension	Camera: $\Phi$ 110 mm $\times$ 57.4 mm (4.3" $\times$ 2.26")
Power	PoE:0.30 A to 0.20 A, max: 7.5W DC: 0.83A to 0.21A,max:7.5W
Camera Material	Metal

#### Headquarters

No.555 Qianmo Road, Binjiang District,  
Hangzhou 310051, China  
T +86-571-8807-5998  
www.hikvision.com



Follow us on social media to get the latest product and solution information.



Package Dimension	252 mm × 160 mm × 95 mm (9.9" × 6.3" × 3.7")
Product Weight	Approx. 452 g (1 lb.)
Startup and Operating Conditions	-30 °C to 75 °C (-22 °F to 167°F), humidity less than 95% or less (non-condensing)
Language	English, French, German, Russian, Italian, Korean, Portuguese, Spanish, Turkish, Polish, Czech
General Function	Anti-flicker, heartbeat, mirror
Software Reset	Support
Power Supply	-ID: 9-36V& PoE (802.3af, 36 V to 57 V) -IDM: 9-36V& PoE (802.3af, 36 V to 57 V) -IM/ND: PoE (802.3af, 36 V to 57 V)
Power Interface	-ID: Ø 5.5 mm coaxial power plug, DC power supply, or PoE power supply -IM/ND: 4-core M12 aviation plug, PoE power supply
Cable Length	50 cm
<b>Selection Parameter</b>	
Wi-Fi Support	Not supported
POE Support	PoE (802.3af)
<b>Approval</b>	
Class	Class B
EMC	FCC: FCC-SDoC(ANSI C63.4,FCC Part15 sub B) CE: CE-EMC(EN 55024:2010 +A1:2015,EN 55032:2015,EN 61000-3-2:2014,EN 61000-3-3:2013) RCM: AS/NZS 60950.1:2003 + Am1, Am2 and Am3,AS/NZS CISPR 32:2015IC: ICES-003 Issue 7:2020 KC: KN32:2015,KN35:2015
Safety	UL: UL 60950-1:2014,CAN/CSA C22.2 No. 60950-1-07:2014 CB: IEC 60950-1CE: CE-LVD(EN 60950-1:2006+A11:2009+A1:2010+A12:2011+A2:2013) LOA: SANS IEC60950-1 BIS: IS 13252(Part 1)2010+A1:2013+A2:2015
Environment	CE: CE-RoHS(RoHS Directive 2011/65/EU+2015/863) WEEE: 2012/19/EURoach SVHC: Regulation (EC) No 1907/2006 Roach SVHC: Regulation (EC) No 1907/2006
Electrical Safety Protection	IK10(IEC 62262:2002)
Automotive and Railway	EN50155-2017(EN 50155:2017, EN 50121-3-2:2016, IEC 60068-2-1:2007, IEC 60068-2-2:2007, IEC 60068-2-30:2005, IEC 61373:2010); EN45545 (EN 45545-2:2013+A1:2015); E-MARK (ECE R10)

#### Headquarters

No.555 Qianmo Road, Binjiang District,  
Hangzhou 310051, China  
T +86-571-8807-5998  
www.hikvision.com



Follow us on social media to get the latest product and solution information.



## ▪ Wiring

### Cable Interfaces

Model	Interface Type	Interface Form	Interface Definition	Interface Illustration
XM67	ID	RJ45/F	1.IPC_TX+ 2.IPC_TX- 3.IPC_RX+ 4.IDLE4 5.IDLE5 6.IPC_RX- 7.IDLE7 8.IDLE8	
		DC/F	Core: IPC_POWER Shell: IPC_GND	
	IDM	M12D4F	1.IPC_TX+ 2.IPC_RX+ 3.IPC_TX- 4.IPC_RX-	
		MOLEX-2M	1.IPC_POWER 2.IPC_GND	
	IM/ND	M12D4F	1.IPC_TX+ 2.IPC_RX+ 3.IPC_TX- 4.IPC_RX-	

## ▪ Available Model

DS-2XM6756G1-ID(2mm)(AE)

DS-2XM6756G1-IM/ND(2mm)(AE)

### Headquarters

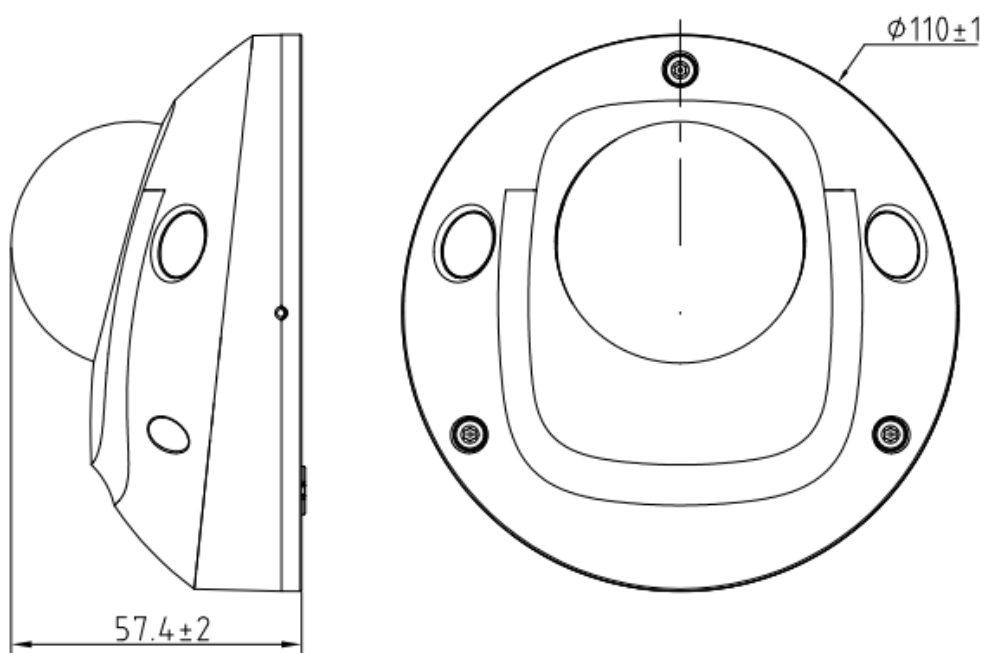
No.555 Qianmo Road, Binjiang District,  
Hangzhou 310051, China  
T +86-571-8807-5998  
www.hikvision.com



Follow us on social media to get the latest product and solution information.



▪ Dimension



**Headquarters**

No.555 Qianmo Road, Binjiang District,  
Hangzhou 310051, China  
T +86-571-8807-5998  
www.hikvision.com



Follow us on social media to get the latest product and solution information.



**Headquarters**

No.555 Qianmo Road, Binjiang District,  
Hangzhou 310051, China  
T +86-571-8807-5998  
www.hikvision.com



Follow us on social media to get the latest product and solution information.

