

## DS-2XM6726G1-IM/ND/X Mobile Dome Camera



- High quality image with 2MP resolution
- 2.8/4 mm fixed lens
- Clear imaging against strong back light based on 120 dB WDR technology
- Water and dust resistant (IP67) and vandal resistant(IK10)
- Support face masking and main code stream encryption.

## ▪ Specification

Camera	
Image Sensor	1/2.8" CMOS Progressive Scan
Min. Illumination	0.02Lux @ (F1.6, AGC ON)
Resolution	2MP
Shutter Speed	1/3 s to 1/100,000 s
P/N	PAL: 25fps NTSC: 30fps
Day & Night	IR Cut Filter
Angle Adjustment	Pan:-30°~+30°, Tilt: 0°~75°, Rotate: 0°~ 360°
White Balance	Support 4 white balance configurations: fluorescent lamp, incandescent lamp, warm lamp and natural light; Support manual/automatic white balance adjustment.
Lens	
Focal Length	2.8mm/4mm
Focal Length & FOV	2.8mm: horizontal:105°, vertical: 56°, diagonal: 126° 4mm: horizontal: 87°, vertical: 44°, diagonal: 104°
Lens Mount	M12
Focus	Fixed focus
Max. Aperture	2.8mm: F1.6 4mm: F1.6
Illuminator	
Supplement Light Type	Infrared fill light lamp
Smart Supplement Light	Support
IR Wavelength	850 nm
IR Range	Up to 5 m
Video	
Third Stream	50Hz: 25fps (1920 × 1080, 1280 × 960, 1280 × 720) 60Hz: 30fps (1920 × 1080, 1280 × 960, 1280 × 720)
Compression Type	H.264 (Main Stream, Sub Stream) H.265 (Main Stream, Sub Stream) H.264+ (Main Stream, Sub Stream) H.265+ (Main Stream, Sub Stream) MJPEG (Sub Stream only)
Max. Resolution	1920*1080
Main Stream	50Hz: 25fps (1920 × 1080, 1280 × 960, 1280 × 720) 60Hz: 30fps (1920 × 1080, 1280 × 960, 1280 × 720)

### Headquarters

No.555 Qianmo Road, Binjiang District,  
Hangzhou 310051, China  
T +86-571-8807-5998  
www.hikvision.com



Follow us on social media to get the latest product and solution information.



Sub-Stream	50Hz: 25fps (704 × 576, 640 × 480, 352 × 288, 320 × 240) 60Hz: 30fps (704 × 576, 640 × 480, 352 × 288, 320 × 240)
Video Compression	Main stream: H.264, H.265 Sub-stream: H.264, H.265, MJPEG
Video Bit Rate	Main Stream: 256Kbps-12Mbps Sub Stream: 256Kbps-4Mbps
H.264 Type	Baseline Profile/Main Profile/High Profile
H.265 Type	Main Profile
Bit Rate Control	CBR/VBR
Stream Type	Main stream, sub stream
Scalable Video Coding (SVC)	H.264 and H.265 encoding
Region Of Interest (ROI)	Support 2 fixed region for (main/sub) stream
<b>Audio</b>	
Audio Compression	G711U, G711A, G726_A, AAC, G722, PCM
Audio Bit Rate	64 Kbps
Audio Sampling Rate	8 kHz
Environment Noise Filtering	Support
<b>Network</b>	
Protocols	TCP/IP, HTTP, HTTPS, SFTP, DHCP, DNS, DDNS, Email ,RTP, RTSP, RTCP, NTP, UPnP, SMTP,SNMP, ICMP, 802.1X, QoS, IPv6, Bonjour
Simultaneous Live View	Up to 8 channels
API	Hikvision SDK,ONVIF (PROFILE S/G/T), ISAPI
User Management	Up to 16 users, 3 levels: Administrator, Operator and User
Web Browser	IE8+,Chrome45+,Edge41+,Firefox45+(Local service)
<b>Image</b>	
Wide Dynamic Range (WDR)	120dB
Electronic Image Stabilization(EIS)	Not supported
Image Settings	Brightness, contrast, saturation and sharpness can be adjusted by browser and client software.
Day/Night Switch	Day/Night/Auto/Schedule
SNR	> 50dB
Image Enhancement	BLC, HLC, 2DNR ,3DNR
Privacy Mask	Enables configuration, and supports drawing of up to 4 areas
Picture Overlay	Support image overlay, uploading images, enabling, coordinates, etc.
Backlight Compensation(BLC)	Support up, down, left, right, center and custom backlight compensation adjustment
<b>Interface</b>	
Ethernet Interface	4-core M12 aviation plug
Audio	1 built-in mic, mono sound

**Headquarters**

No.555 Qianmo Road, Binjiang District,  
Hangzhou 310051, China  
T +86-571-8807-5998  
www.hikvision.com



Follow us on social media to get the latest product and solution information.



Reset Key	Support
Interface Type	Interpolate
TF Card Storage	Built-in Micro TF Slot, up to 256 GB(not for baseline. Note the Micro-TF card capacity when ordering)
<b>Event</b>	
Linkage Method	Upload to FTP, notify monitoring center, send email, trigger recording
Basic Event	Motion detection, video tampering alarm
Smart Event	Line crossing detection, Intrusion detection, Region entrance detection, Region exiting detection, Unattended baggage detection, Object removal detection, Scene change detection, defocus detection, Loitering Detection, People Gathering Detection, Fast Moving Detection, Parking Detection,
<b>General</b>	
Product Dimension	110 mm × 57.4 mm (4.3" × 2.26")
Power	PoE: 0.16 A to 0.25A, max: 9.0 W
Package Dimension	252 mm × 160 mm × 95 mm (9.9" × 6.3" × 3.7")
Product Weight	Approx. 452 g (1 lb.)
With Package Weight	252 mm × 160 mm × 95 mm (9.9" × 6.3" × 3.7")
Protection	IP67, IK10
Camera Material	Metal
Startup and Operating Conditions	-30 °C to 75°C (-22 °F to 167°F), humidity 95% or less (non-condensing)
Language	English, French, German, Russian, Italy, Korean, Portugal, Spanish, Turkish, Poland, Czech
General Function	Anti-flicker, heartbeat, mirror, password protection, privacy mask
Software Reset	Support
Power Supply	M12: PoE (802.3af, 36 V to 57 V)
Power Interface	-IM/ND: 4-core M12 aviation plug, PoE power supply
Cable Length	50 cm
<b>Selection Parameter</b>	
Wi-Fi Support	Not supported
PoE Support	PoE (802.3af)

#### Headquarters

No.555 Qianmo Road, Binjiang District,  
Hangzhou 310051, China  
T +86-571-8807-5998  
www.hikvision.com



Follow us on social media to get the latest product and solution information.



Approval	
Class	Class B
EMC	CE-EMC (EN 55032: 2015, EN 61000-3-2: 2014, EN 61000-3-3: 2013, EN 50130-4: 2011 +A1: 2014);
Safety	CE-LVD (EN 60950-1:2005 + Am 1:2009 + Am 2:2013); LOA: SANS IEC60950-1 BIS: IS 13252(Part 1)2010+A1:2013+A2:2015
Environment	CE-RoHS (2011/65/EU); Reach SVHC: Regulation (EC) No 1907/2006
Electrical Safety Protection	IK10(IEC 62262:2002)
Automotive and Railway	EN50155-2017(EN 50155:2017, EN 50121-3-2:2016, IEC 60068-2-1:2007, IEC 60068-2-2:2007, IEC 60068-2-30:2005, IEC 61373:2010); E-MARK (ECE R10)

## Wiring

### Cable Interfaces

Modle	Interface Type	Interface Form	Interface Definition	Interface Illustration
XM67	IM/ND	M12	1.IPC_TX+ 2.IPC_RX+ 3.IPC_TX- 4.IPC_RX-	

## Available Model

DS-2XM6726G1-IM/ND/X(2.8mm)(AE)

DS-2XM6726G1-IM/ND/X(4mm)(AE)

## Dimension

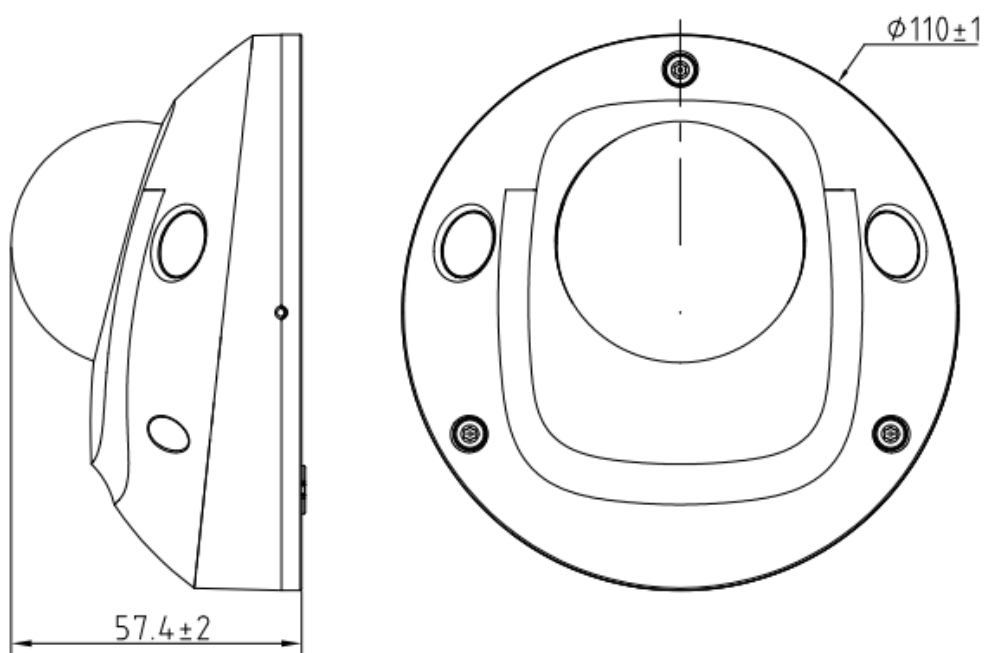
### Headquarters

No.555 Qianmo Road, Binjiang District,  
Hangzhou 310051, China  
T +86-571-8807-5998  
www.hikvision.com



Follow us on social media to get the latest product and solution information.





**Headquarters**

No.555 Qianmo Road, Binjiang District,  
Hangzhou 310051, China  
T +86-571-8807-5998  
www.hikvision.com



Follow us on social media to get the latest product and solution information.

