

## DS-2XM6726G1-I(D)(M)(/ND) Mobile Dome Camera



- High quality imaging with 2MP resolution
- 2/2.8/4/6 mm fixed lens
- Clear imaging against strong back light based on 120 dB WDR technology
- Water and dust resistant (IP67) and vandal resistant(IK10)

## ▪ Specification

| Camera                 |   |
|------------------------|---|
| Image Sensor           | 1/2.8" CMOS Progressive Scan  |
| Min. Illumination      | 0.01Lux @ (F1.6, AGC ON), 0lux with IR  |
| Shutter Speed          | 1/3 s to 1/100,000 s  |
| Resolution             | 2MP   |
| P/N                    | PAL: 25fps<br>NTSC: 30fps   |
| Day & Night            | IR Cut Filter   |
| Angle Adjustment       | Pan: -30°~+30°, Tilt: 0°~75°, Rotate: 0°~ 360°  |
| White Balance          | Support 4 white balance configurations: fluorescent lamp, incandescent lamp, warm lamp and natural light;<br>Support manual/automatic white balance adjustment.   |
| Lens                   |   |
| Focal Length           | 2mm/2.8mm/4mm/6mm   |
| Focal Length & FOV     | 2 mm, horizontal FOV 132°, vertical FOV 77°, diagonal FOV 152°<br>2.8 mm, horizontal FOV 105°, vertical FOV 56°, diagonal FOV 126°<br>4 mm, horizontal FOV 87°, vertical FOV 44°, diagonal FOV 104°<br>6 mm, horizontal FOV 53°, vertical FOV 28°, diagonal FOV 62° |
| Lens Mount             | M12   |
| Focus                  | Manual focus  |
| Max. Aperture          | 2mm: F2.25<br>2.8mm/4mm/6mm: F1.6   |
| Illuminator            |   |
| Supplement Light Type  | Infrared fill light lamp  |
| Smart Supplement Light | Support   |
| IR Wavelength          | 850 nm  |
| IR Range               | Up to 10 m  |
| Video                  |   |
| Max. Resolution        | 1920 × 1080   |
| Main Stream            | 50Hz: 25fps (1920 × 1080, 1280 × 960, 1280 × 720)<br>60Hz: 30fps (1920 × 1080, 1280 × 960, 1280 × 720)  |
| Sub-Stream             | 50Hz: 25fps (704 × 576, 640 × 480, 352 × 288, 320 × 240)<br>60Hz: 30fps (704 × 576, 640 × 480, 352 × 288, 320 × 240)  |
| Third Stream           | 50Hz: 25fps (1920 × 1080, 1280 × 960, 1280 × 720)<br>60Hz: 30fps (1920 × 1080, 1280 × 960, 1280 × 720)  |
| Video Compression      | Main stream: H.264, H.265, H.264+, H.265+<br>Sub-stream: H.264, H.265, MJPEG, H.264+, H.265+<br>Third stream: H.264, H.265, H.264+, H.265+  |

### Headquarters

No.555 Qianmo Road, Binjiang District,  
Hangzhou 310051, China  
T +86-571-8807-5998  
www.hikvision.com



Follow us on social media to get the latest product and solution information.



|                             |   |
|-----------------------------|---|
| Video Bit Rate              | Main Stream: 256 Kbps to 12288Kbps<br>Sub-Stream: 256 Kbps to 4096Kbps<br>Third Stream: 256 Kbps to 12288Kbps         |
| H.264 Type                  | Baseline Profile/Main Profile/High Profile  |
| H.265 Type                  | Main Profile  |
| Bit Rate Control            | Constant Bit Rate, Variable Bit Rate  |
| Stream Type                 | Main stream, sub stream, third stream   |
| Scalable Video Coding (SVC) | H.264 and H.265 encoding  |
| Region Of Interest (ROI)    | Support 2 fixed region for (main/sub) stream  |
| <b>Audio</b>                |   |
| Audio Compression           | G711U, G711A, G726, AAC, G722, PCM  |
| Audio Bit Rate              | Raw data PCM:256kbps<br>G711U, G711A, G726_A, AAC,G722.1:≤64kbps  |
| Audio Sampling Rate         | 16 kHz  |
| Environment Noise Filtering | Support   |
| <b>Network</b>              |   |
| Protocols                   | TCP/IP,HTTP,HTTPS,DHCP,DNS,DDNS ,RTSP,SNMP,QOS,FTP,RTCP,NTP,UPNP,SMTP,IGMP,ICMP,IPV6,UDP,SSL/TLS                      |
| Simultaneous Live View      | Up to 8 channels  |
| API                         | ONVIF (PROFILE S, PROFILE G, PROFILE T), ISAPI, SDK   |
| User Management             | Up to 16 users, 3 levels: Administrator, Operator and User  |
| Web Browser                 | IE8+, Chrome45+, Edge41+, Firefox45+  |
| <b>Image</b>                |   |
| Wide Dynamic Range (WDR)    | 120 dB  |
| Image Settings              | Support rotation mode. Brightness, contrast, saturation and sharpness can be adjusted by browser and client software. |
| Day/Night Switch            | Day/Night/Auto/Schedule   |
| SNR                         | > 50 dB   |
| Image Enhancement           | BLC, HLC, 2DNR ,3DNR  |
| Privacy Mask                | Enables configuration, and supports drawing of up to 4 areas  |
| Picture Overlay             | Support image overlay, uploading images, enabling, coordinates, etc.  |
| Target Cropping             | Support (only the third stream)   |
| Backlight Compensation(BLC) | Support up, down, left, right, center and custom backlight compensation adjustment                                    |
| <b>Interface</b>            |   |
| Video Output                | Not supported   |
| Ethernet Interface          | -ID: 1 RJ45 10M/100M self-adaptive Ethernet port<br>-IM/ND, IDM: 1 four-core M12 aviation plug                        |
| Audio                       | 1 built-in mic, mono sound  |
| Reset Key                   | Support   |

#### Headquarters

No.555 Qianmo Road, Binjiang District,  
Hangzhou 310051, China  
T +86-571-8807-5998  
www.hikvision.com



Follow us on social media to get the latest product and solution information.



|                                  |  |
|----------------------------------|--|
| Interface Type                   | Interpolate  |
| TF Card Storage                  | Built-in Micro TF Slot, up to 256 GB(not for baseline. Note the Micro-TF card capacity when ordering)  |
| <b>Deep Learning Function</b>    |  |
| People Density                   | Support the detection of passenger congestion in carriages.  |
| Detection                        | Support the detection of articles and personnel left behind in the carriage.   |
| <b>Event</b>                     |  |
| Linkage Method                   | Upload to FTP, notify monitoring center, send email, trigger recording   |
| Basic Event                      | Motion detection, video tampering alarm  |
| Smart Event                      | Line crossing detection,<br>Intrusion detection,<br>Region entrance detection,<br>Region exiting detection,<br>Unattended baggage detection,<br>Object removal detection,<br>Object detection: detects faces and upload images<br>Scene change detection,<br>defocus detection,<br>Loitering Detection,<br>People Gathering Detection,<br>Fast Moving Detection,<br>Parking Detection, |
| <b>General</b>                   |  |
| Product Dimension                | 110 mm × 57.4 mm (4.3" × 2.26")  |
| Package Dimension                | 252 mm × 160 mm × 95 mm (9.9" × 6.3" × 3.7")   |
| Power                            | PoE: 0.30 A to 0.20 A, max: 7.5 W<br>DC: 0.83 A to 0.21 A, max:7.5 W   |
| Product Weight                   | Approx. 452 g (1 lb.)  |
| With Package Weight              | 252 mm × 160 mm × 95 mm (9.9" × 6.3" × 3.7")   |
| Protection                       | IP67, IK10   |
| Camera Material                  | Metal  |
| Startup and Operating Conditions | -30 °C to 75°C (-22 °F to 167°F), humidity 95% or less (non-condensing)  |
| Language                         | English, French, German, Russian, Italian, Korean, Portuguese, Spanish, Turkish, Polish, Czech   |
| General Function                 | Anti-flicker, heartbeat, mirror  |
| Software Reset                   | Support  |

**Headquarters**

No.555 Qianmo Road, Binjiang District,  
Hangzhou 310051, China  
T +86-571-8807-5998  
www.hikvision.com



Follow us on social media to get the latest product and solution information.



|                              |  |
|------------------------------|--|
| Power Supply                 | -ID: 9-36V& PoE (802.3af, 36 V to 57 V)<br>-IDM: 9-36V& PoE (802.3af, 36 V to 57 V)<br>-IM/ND: PoE (802.3af, 36 V to 57 V)   |
| Power Interface              | -ID: Ø 5.5 mm coaxial power plug, DC power supply, or PoE power supply<br>-IM/ND: four-core M12 aviation plug, PoE power supply  |
| Cable Length                 | 50 cm  |
| <b>Selection Parameter</b>   |  |
| Wi-Fi Support                | Not supported  |
| POE Support                  | PoE (802.3af)  |
| <b>Approval</b>              |  |
| Class                        | Class B  |
| EMC                          | FCC: FCC-SDoC(ANSI C63.4,FCC Part15 sub B)<br>CE: CE-EMC(EN 55024:2010 +A1:2015,EN 55032:2015,EN 61000-3-2:2014,EN 61000-3-3:2013)<br>RCM: AS/NZS 60950.1:2003 + Am1, Am2 and Am3,AS/NZS CISPR 32:2015IC: ICES-003 Issue 7:2020<br>KC: KN32:2015,KN35:2015 |
| Safety                       | UL: UL 60950-1:2014,CAN/CSA C22.2 No. 60950-1-07:2014<br>CB: IEC 60950-1CE:<br>CE-LVD(EN 60950-1:2006+A11:2009+A1:2010+A12:2011+A2:2013)<br>LOA: SANS IEC60950-1<br>BIS: IS 13252(Part 1)2010+A1:2013+A2:2015  |
| Environment                  | CE: CE-RoHS(RoHS Directive 2011/65/EU+2015/863)<br>WEEE: 2012/19/EURoHS SVHC: Regulation (EC) No 1907/2006<br>Reach SVHC: Regulation (EC) No 1907/2006   |
| Electrical Safety Protection | IK10(IEC 62262:2002)   |
| Automotive and Railway       | EN50155-2017(EN 50155:2017, EN 50121-3-2:2016, IEC 60068-2-1:2007, IEC 60068-2-2:2007, IEC 60068-2-30:2005, IEC 61373:2010);<br>EN45545 (EN 45545-2:2013+A1:2015);<br>E-MARK (ECE R10)   |

## ▪ Wiring

### Cable Interfaces

#### Headquarters

No.555 Qianmo Road, Binjiang District,  
Hangzhou 310051, China  
T +86-571-8807-5998  
www.hikvision.com



Follow us on social media to get the latest product and solution information.



| Model | Interface Type | Interface Form | Interface Definition   | Interface Illustration |
|-------|----------------|----------------|--|------------------------|
| XM67  | ID             | RJ45/F         | 1.IPC_TX+<br>2.IPC_TX-<br>3.IPC_RX+<br>4.IDLE4<br>5.IDLE5<br>6.IPC_RX-<br>7.IDLE7<br>8.IDLE8 |                        |
|       |                | DC/F           | Core: IPC_POWER<br>Shell: IPC_GND  |                        |
|       | IDM            | M12D4F         | 1.IPC_TX+<br>2.IPC_RX+<br>3.IPC_TX-<br>4.IPC_RX-   |                        |
|       |                | MOLEX-2M       | 1.IPC_POWER<br>2.IPC_GND   |                        |
|       | IM/ND          | M12D4F         | 1.IPC_TX+<br>2.IPC_RX+<br>3.IPC_TX-<br>4.IPC_RX-   |                        |

### Available Model

- DS-2XM6726G1-IDM(4mm)(AE)
- DS-2XM6726G1-IDM(2mm)(AE)
- DS-2XM6726G1-IDM(2.8mm)(AE)
- DS-2XM6726G1-IDM(6mm)(AE)
- DS-2XM6726G1-IM/ND(2mm)(AE)
- DS-2XM6726G1-IM/ND(2.8mm)(AE)
- DS-2XM6726G1-IM/ND(4mm)(AE)
- DS-2XM6726G1-IM/ND(6mm)(AE)
- DS-2XM6726G1-ID(2mm)(AE)
- DS-2XM6726G1-ID(2.8mm)(AE)
- DS-2XM6726G1-ID(4mm)(AE)
- DS-2XM6726G1-ID(6mm)(AE)

#### Headquarters

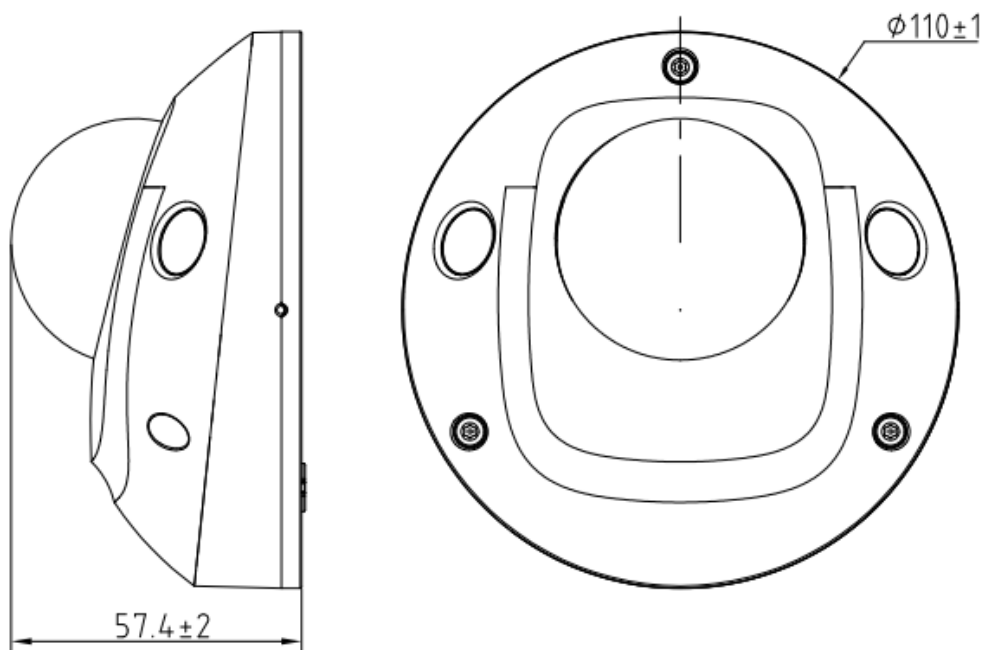
No.555 Qianmo Road, Binjiang District,  
Hangzhou 310051, China  
T +86-571-8807-5998  
www.hikvision.com



Follow us on social media to get the latest product and solution information.



▪ **Dimension**



**Headquarters**

No.555 Qianmo Road, Binjiang District,  
Hangzhou 310051, China  
T +86-571-8807-5998  
www.hikvision.com



Follow us on social media to get the latest product and solution information.

