

AE-IFC00(O-STD)(cable alarm)(2.5m)



Features and Functions

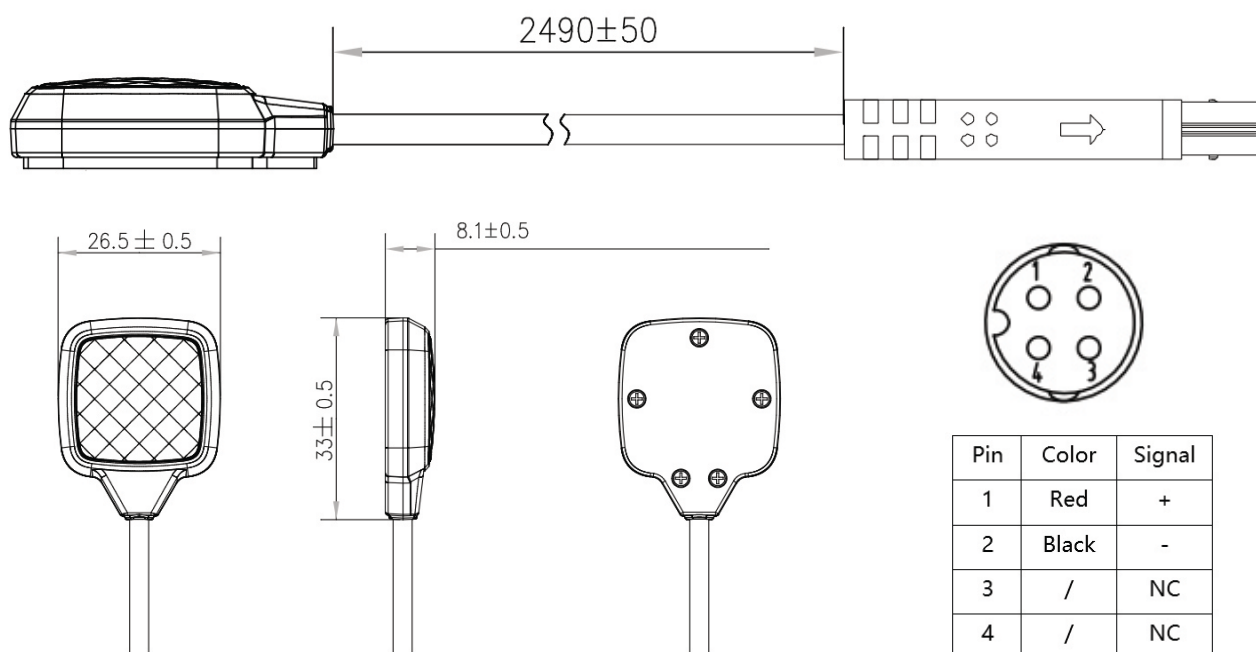
- alarm cable with key of push type, work with HIKVISION product.
- Compliance with RoHS2.0.
- All products are thoroughly tested for open circuit, short circuit and dislocation.
- The BM interface ensures stability and error-proof.
- Exquisite appearance, self-adhesive, easy to mount.



Specifications

AE-IFC00(O-STD)(cable alarm)(2.5m)	
Cable length	2.5m
On resistance	2 Ω .Max
Off resistance	2M Ω .Min
Maximum rating	DC12V,50mA
Operating Temperature	-20~+60°C
Storage Temperature	-20~80°C
Size of Key	26.5mm×33mm×8.1mm
Type of actuation	Tactile feedback

Dimension



Available Model

309500741 AE-IFC 00(O-STD)(cable alarm)(2.5m)

Headquarters

No.555 Qianmo Road, Binjiang District,
Hangzhou 310051, China
T +86-571-8807-5998
overseasbusiness@hikvision.com

Hikvision USA
T +1-909-895-0400
sales.usa@hikvision.com

Hikvision Europe
T +31-23-5542770
saleseuro@hikvision.com

Hikvision Middle East
T +971-4-8816086
salesme@hikvision.com

Hikvision Russia
T +7-495-669-67-99
saleru@hikvision.com

Hikvision India
T +91-22-28469900
sales@pramahikvision.com

Hikvision Italy
T +39-0438-6902
info.it@hikvision.com

Hikvision France
T +33(0)1-85-330-444
info.fr@hikvision.com

Hikvision Spain
T +34-91-737-16-55
info.es@hikvision.com

Hikvision Poland
T +48-22-460-01-50
poland@hikvision.com

Hikvision UK
T +44-1628-9021-4
support.uk@hikvision.com

Hikvision Singapore
T +65-6684-4718
sg@hikvision.com

Hikvision Oceania
T +61-2-8599-4233
salesau@hikvision.com

Hikvision Hong Kong
T +852-2151-1761

Hikvision Canada
T +1-909-895-0400
sales.usa@hikvision.com