

AE-VC215I-ISF
Mobile Mini Dome



- High quality imaging with 2 MP resolution
- Water and dust resistant (IP66) and vandal proof (IK08)

▪ Specification

Camera	
Image Sensor	1/2.8"CMOS Progressive Scan
Min. Illumination	0.01Lux @ (F1.2, AGC ON), 0 Lux with IR
Resolution	1920 × 1080
Shutter Speed	1/3 s to 1/100, 000 s
Day & Night	Electronic Day to Night
Angle Adjustment	Pan: -50°~+50° Tilt: 0~60°
Lens	
Focal Length	2mm/2.8mm/4mm
Focal Length & FOV	2mm:Horizontal FOV:132°, Vertical FOV:77°, Diagonal FOV:152° 2.8mm:Horizontal FOV:105°, Vertical FOV:56°, Diagonal FOV:126° 4mm:Horizontal FOV:87°, Vertical FOV:44°, Diagonal FOV:104°
Lens Mount	M12
Focus	Manual
Max. Aperture	2mm:F2.25 2.8/4mm: F1.6
Illuminator	
Supplement Light Type	Infrared
IR Wavelength	850 nm
IR Range	3 m
Video	
Compression Type	H.264 (Main Stream, Sub Stream) H.265 (Main Stream, Sub Stream) MJPEG (only Sub Stream)
Main Stream	50Hz:25fps(1920x1080, 1280 x 960, 1280x720) 60Hz:30fps(1920x1080, 1280 x 960, 1280x720)
Sub-Stream	50Hz:25fps(704x576, 640x480, 352x288, 320x240) 60Hz:30fps(704x576, 640x480, 352x288, 320x240)
Video Compression	Main Stream:H.264, H.265 Sub Stream:H.264, H.265, MJPEG
Video Bit Rate	256Kbps-6Mbps
H.264 Type	BaseLine profile/Main Profile
H.265 Type	Main Profile
Bit Rate Control	CBR, VBR
Stream Type	Main Stream, Sub Stream
Region Of Interest (ROI)	Support 1 fixed region for each stream (Main Stream, Sub Stream)

Headquarters

No.555 Qianmo Road, Binjiang District,
Hangzhou 310051, China
T +86-571-8807-5998
www.hikvision.com



Follow us on social media to get the latest product and solution information.



Frame Rate	P(50Hz): 25fps N(60Hz): 30fps Default 25fps
Audio	
Audio Compression	G711U, G711A, G726_A, AAC, G722_1, PCM
Audio Bit Rate	Raw data PCM:256kbps G711U, G711A, G726_A, AAC,G722.1:≤64kbps
Audio Sampling Rate	16kHz
Network	
Protocols	TCP/IP, onvif, http, https, DHCP, RTSP, QOS
Simultaneous Live View	Up to 6 channels
API	ONVIF (PROFILE S/G/T), ISAPI, DNS, TCP/IP, UDP, ICMP, NTP
User Management	Up to 16 users of 3 levels of user authority: administrator, operator and common user
Web Browser	IE8+, Chrome57+, Edge16+, Firefox 52+
Image	
Image Settings	Brightness, contrast, saturation and sharpness can be adjusted via browser and client program
Day/Night Switch	Day, Night, Auto, Scheduled
Wide Dynamic Range (WDR)	105 dB
SNR	> 50 dB
Image Enhancement	2DNR ,3DNR
Backlight Compensation(BLC)	Support BLC adjustment of up, down, left, right, center area and customized BLC.
Others	Support customizing 3 lines OSD
Interface	
Ethernet Interface	M12:M12-D code Aviation plug RJ45:10 M/100 M self-adaptive Ethernet port
Audio	Built-in MIC
Reset Key	Built-in Reset
TF Card Storage	Built-in Micro TF Slot, up to 256 GB(not for baseline. Note the Micro-TF card capacity when ordering)
Event	
Linkage Method	Notify Monitoring Center
Basic Event	Disk full
General	
Product Dimension	Φ97 mm × 62 mm (Φ3.8" × 2.4")
Power	RJ45: 0.139-0.088A, Max. 5W M12: 0.139-0.088A, Max. 5W
Protection	IP66, IK08

Headquarters

No.555 Qianmo Road, Binjiang District,
Hangzhou 310051, China
T +86-571-8807-5998
www.hikvision.com



Follow us on social media to get the latest product and solution information.



Power Supply	RJ45: PoE (802.3af, 36~57V) M12: PoE (802.3af, 36~57V)
Camera Material	Front Cover: plastic Base: metal
Screw Material	SUS, Carbon steel coating
Package Dimension	111 mm × 111 mm × 95 mm (4.4" × 4.4" × 3.7")
Product Weight	RJ45: Approx. 260 g (0.57 lb.) M12: Approx. 255 g (0.56 lb.)
Startup and Operating Conditions	-30°C to +60°C (-22°F to +140°F). Humidity 95% or less (non-condensing)
Language	English
General Function	Anti-flicker, heart beat, mirror, password protection
Power Interface	RJ45: PoE power supply M12: 4-core aviation plug
Cable Length	50 cm
Approval	
EMC	CE-EMC(EN 55032: 2015, EN 61000-3-2: 2014, EN 61000-3-3: 2013, EN 50130-4: 2011 +A1: 2014)
Safety	CE-LVD (EN 60950-1:2005 + Am 1:2009 + Am 2:2013);BIS
Environment	CE-RoHS(2011/65/EU)
Electrical Safety Protection	IP66(IEC 60529-2013);IK08(IEC 62262:2002)

▪ Wiring

Cable Interfaces

4-Core Interface

Illustration	Pin No.	Pin Description
	1	IPC_TX+
	2	IPC_RX+
	3	IPC_TX-
	4	IPC_RX-

Headquarters

No.555 Qianmo Road, Binjiang District,
Hangzhou 310051, China
T +86-571-8807-5998
www.hikvision.com



Follow us on social media to get the latest product and solution information.



RJ45 Interface

Illustration	Pin No.	Pin Description
	1	IPC_TX+
	2	IPC_TX-
	3	IPC_RX+
	6	IPC_RX-
	4	POE45
	5	POE45
	7	POE78
	8	POE78

▪ Available Model

- AE-VC215I-ISF(M12)(2.8mm)
- AE-VC215I-ISF(M12)(2mm)
- AE-VC215I-ISF(M12)(4mm)
- AE-VC215I-ISF(RJ45/ND)(2mm)
- AE-VC215I-ISF(RJ45/ND)(2.8mm)
- AE-VC215I-ISF(RJ45/ND)(4mm)

▪ Dimension

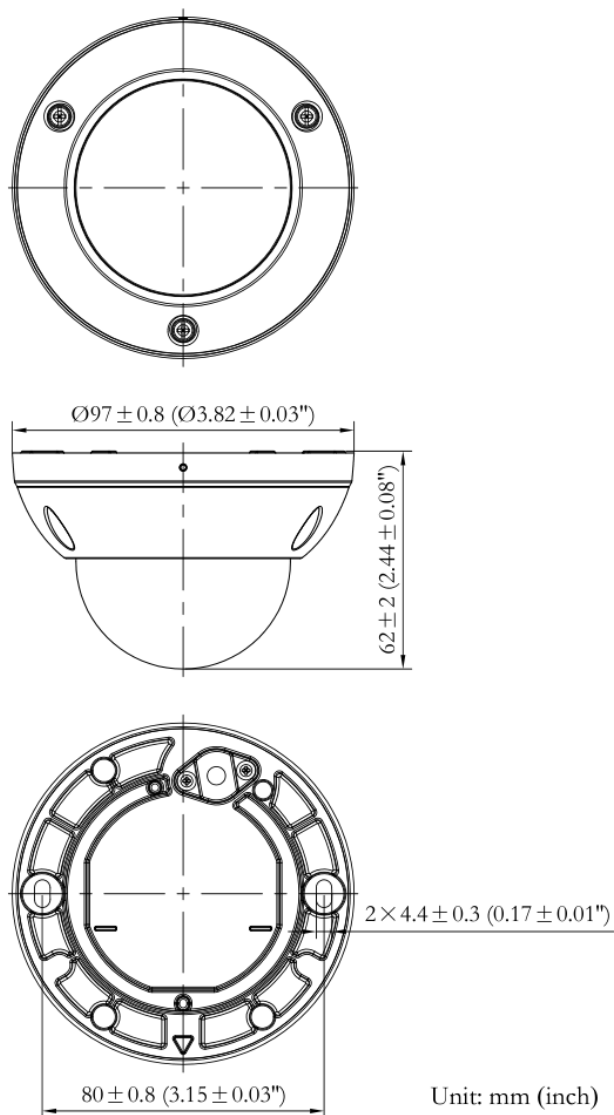
Headquarters

No.555 Qianmo Road, Binjiang District,
Hangzhou 310051, China
T +86-571-8807-5998
www.hikvision.com



Follow us on social media to get the latest product and solution information.





Headquarters

No.555 Qianmo Road, Binjiang District,
Hangzhou 310051, China
T +86-571-8807-5998
www.hikvision.com



Follow us on social media to get the latest product and solution information.

