

AE-VC143T-ITS
AE-VC143T-ITS

- Adopts progressive scan CMOS to prevent motion image aliasing
- Supports HD coaxial output with the resolution 720p
- Min. illumination: 0.1 Lux @(F1.2, AGC ON), 0 Lux with IR
- Supports auto day & night switch
- Adopts auto electronic shutter to adapt to different environment
- Support auto gain control and self-adaption to light
- Shock-proof design

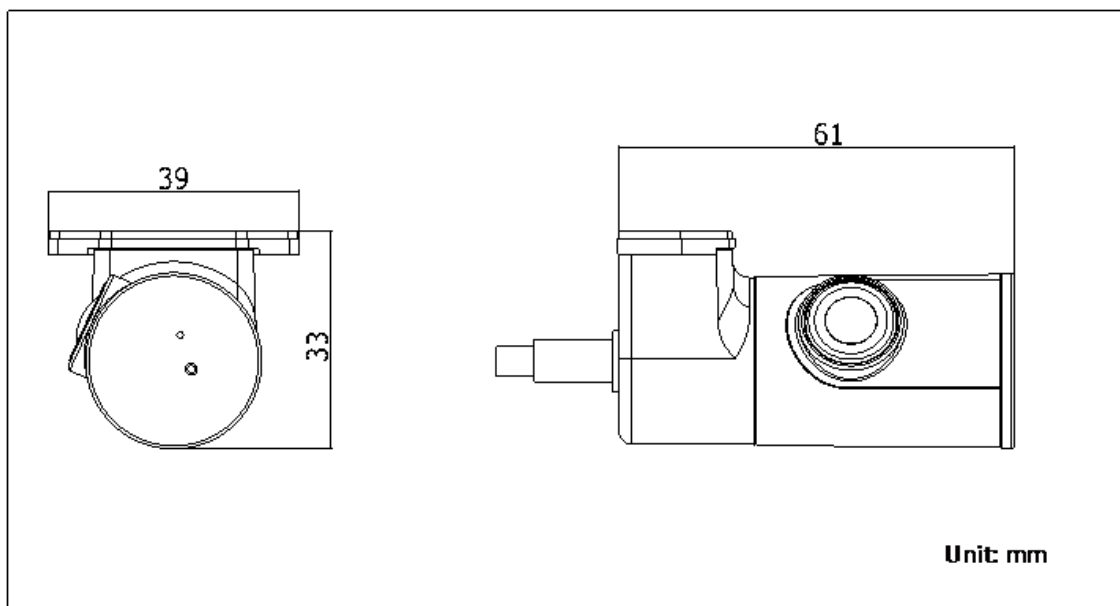
▪ Specification

Selection Parameter	
Min. Illumination	0.1 Lux@(F1.2, AGC ON), 0 Lux with IR
Protection Level	NA
Case Type	cylindrical
Resolution	1280×720
Lens Type	Fixed focal lens, 2.1mm
FOV	2.1 mm, horizontal: 125°, vertical: 80°, diagonal: 148°
Sensor	Progressive Scan CMOS
IR Distance	5m
Camera	
Shutter Speed	1/25 s to 1/30,000 s
P/N	NA
Wide Dynamic Range	NA
Day & Night	Electronic
Lens	
Lens Mount	M12
Video	
Frame Rate	720p@25 fps
Image	
SNR	42 dB
Interface	
Video Output	TVI
Built-in Microphone	yes
Built-in Speaker	NO
Audio	yes
Interface Style	1 Vpp Composite Output (aviation plug or BM4F plug) aviation plug: 1: video, 2: Audio, 3: power, 4: ground BM 4F plug: 1:power ,2: ground , 3: Video, 4: Audio
Supplement Light Unit	
Power Supply	9 to 16 V DC
Power Consumption	Max. 2 W
General	
Camera Material	plastic
Camera Dimension	61 mm × 39 mm × 33mm
Startup and Operating Conditions	-40 °C to 75 °C (-40 °F to 167 °F), 90%

▪ Available Model

AE-VC143T-ITS(2.1mm)(0.3m)(海外标配)(宝马头),AE-VC143T-ITS(2.1mm)(0.3m)(海外中性)(宝马头),AE-VC143T-ITS(2.1mm)(2m)(海外标配)(宝马头),AE-VC143T-ITS(2.1mm)(2m)(海外中性)(宝马头),

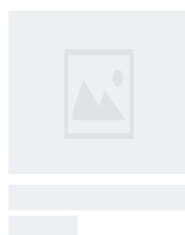
▪ **Dimension**



▪ **Accessory**

▪ **Included**

AE-DI5042-G4



Headquarters

No.555 Qianmo Road, Binjiang District,
Hangzhou 310051, China
T +86-571-8807-5998
www.hikvision.com



Follow us on social media to get the latest product and solution information.

