

**AE-MW1110**

**10-inch HD Screen**



- Supports 1 channel AHD/TVI/CVBS video input
- Supports configuration of display parameter
- Supports wide power supply DC9V~36V
- Supports bracket mounting methods, convenient and flexible

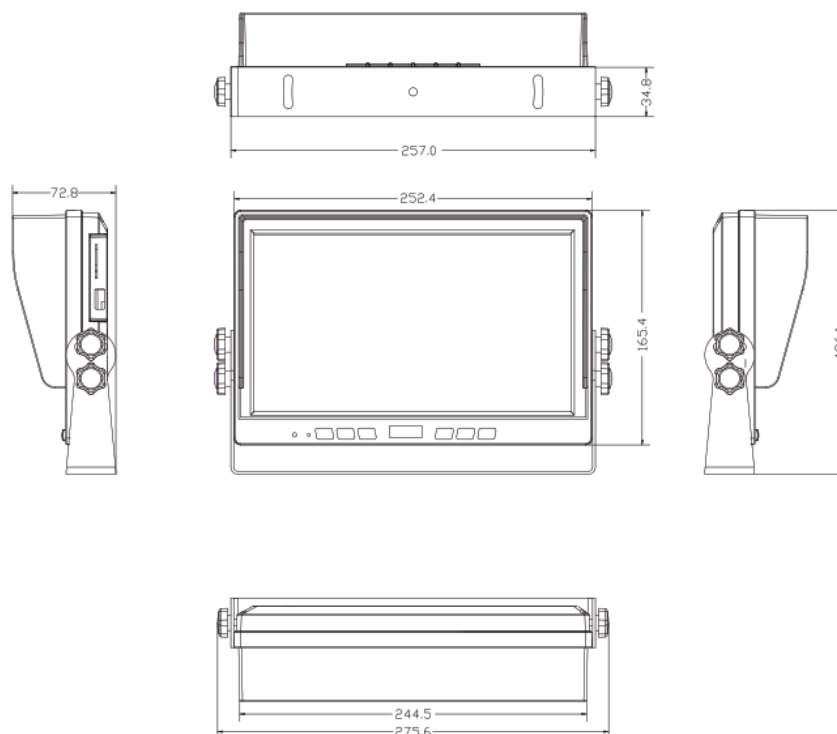
## Specification

General	
Screen Size	10.1-inch screen
Resolution	1024×600
Brightness	350cd/m <sup>2</sup>
Contrast	450:1
Video Input	AHD,TVI,CVBS
Operation Mode	Key (on the front panel)
Parameter Configuration	Adjustment of brightness, contrast, color, Language
Language	English(default),Chinese, German, French, Spanish, Portuguese, Italian, Dutch, Russian
Power Supply	DC 9 to 36 V
Power Consumption	Max. 15 W
Operating Conditions	-20 °C to 70 °C (-4 °F to 158 °F), 40% to 90%
Installation Method	Bracket
Dimension	256.5mm×72.8mm×185.7mm(10.1"×2.9"×7.3")

## Available Model

AE-MW1110(O-NEU)(10"/AHD/B/M/Bracket)

## Dimension



Unit: mm



**Headquarters**

No.555 Qianmo Road, Binjiang District,  
Hangzhou 310051, China  
T +86-571-8807-5998  
www.hikvision.com



Follow us on social media to get the latest product and solution information.

