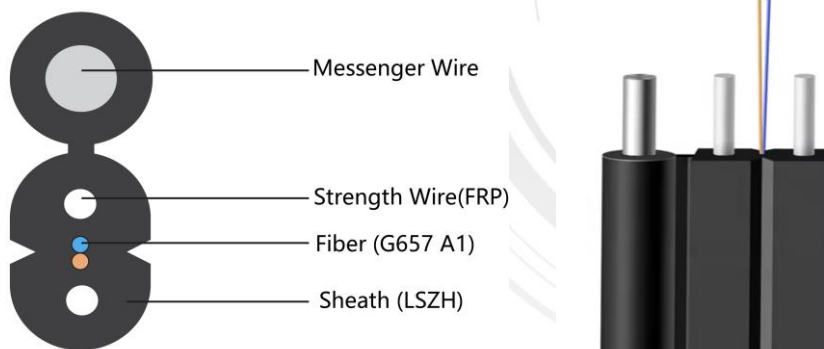


## DS-FOGX-B6A1-L0

### FTTH Fiber cable, GJYXFCH, LSZH, 1/2 cores

## Description

The typical GJYXFCH self-supporting bow-type drop optical cable consists of GJXFH cable and a messenger wire (steel wire).



## Key Feature

- Internal FTTH applications horizontal and riser, especially suitable for the last leg in FTTH systems.
- Suitable as cable extending from outdoor (as aerial cable) to indoor.
- Special low-bend-sensitivity fiber provides high bandwidth and excellent communication transmission performance.
- Two FRP strength member ensure good performance of crush resistance to protect the fiber.
- Single steel wire as the messenger wire ensures good performance of tensile strength.
- Groove design, easily strip and splice, simplified installation and maintenance.
- Low smoke, zero halogen and flame retardant sheath, environment-friendly, good safety.
- Compliant with RoHS 2.0.



## Specification

Model	DS-FOGX-B6A1-L0	
Cable type	GJYXFCH	
Fiber type	9/125μm G657A1	
Cable dimension(mm)	5.2(±0.2) * 2.0(±0.2)	
Min. bending radius(mm)	120	
Min. bending radius(rip off the messenger wire) (mm)	15(static) 30(dynamic)	
Attenuation(dB/km)	≤0.38 @ 1310nm ≤0.28 @ 1550nm	
Sheath	Material	LSZH
	Color	Black
Strength Member	Material	FRP
	Diameter( mm)	0.5
Messenger wire	Material	Steel wire
	Diameter( mm)	1.0
Tensile performance (N)	Short tension	600
	Long tension	300
Crush Resistance (N/100mm)	Short crush	2200
	Long crush	1000
Operation temperature(°C)	-20 ~ +60	
Package type	Drum	

## Available Model

Model Number	Fiber count	Length(km)	Cable Weight(Kg)
DS-FOGX-B6A1-L0 1C 1km	1	1	20
DS-FOGX-B6A1-L0 1C 2km	1	2	38
DS-FOGX-B6A1-L0 2C 1km	2	1	20
DS-FOGX-B6A1-L0 2C 2km	2	2	38

### Headquarters

No.555 Qianmo Road, Binjiang District,  
Hangzhou 310051, China  
T +86-571-8807-5998  
www.hikvision.com



Follow us on social media to get the latest product and solution information.



Hikvision



HikvisionHQ



HikvisionHQ



Hikvision\_Global



Hikvision  
Corporate Channel



hikvisionhq