

DS-3WF0FA-5AC/O 5Ghz 867Mbps 1KM 360° Wireless AP Bridge



The wireless Base Station is designed for outdoor applications such as CCTV, city road, factory, etc. With 360° MIMO antenna, it's flexible and ideal for point-to-multipoint application.

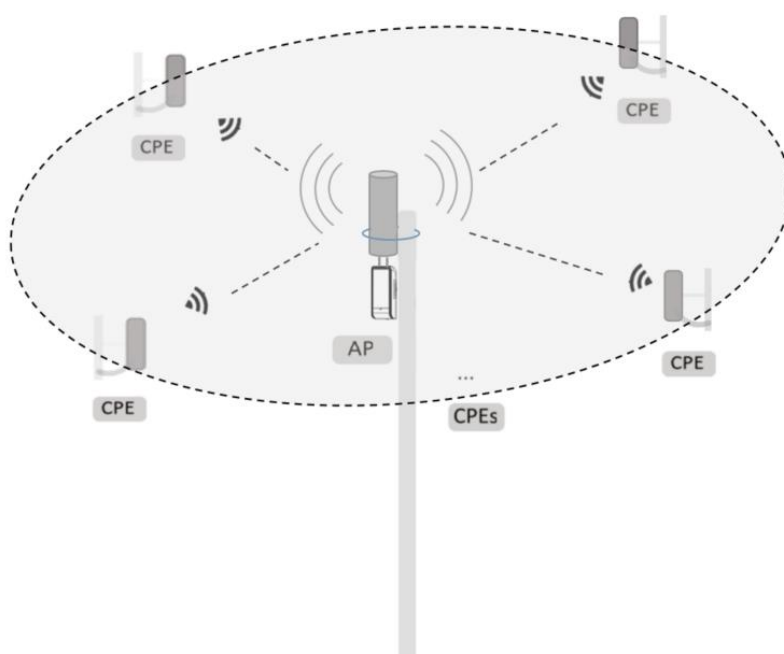
- Up to 1 km wireless transmission distance
- 867 Mbps 802.11ac wireless bridge
- Built-in 8dBi 2 x 2 MIMO antenna
- 802.3af PoE power supply
- Visualized topology management
- Real-Time alarm push technology

▪ Specification

Wireless Parameter	
Wireless Standard	IEEE 802.11/a/n/ac
Max. Transmission Rate of Air Interface	≤ 867 Mbps
Working Frequency Band	5150 MHz ~ 5250 MHz, 5250 MHz~ 5350 MHz, 5470 MHz~ 5725 MHz, 5725 MHz~ 5825 MHz, (Note: Available channel may vary with local regulations.)
Antenna Gain	10 dBi
Antenna Angle	(H) Beamwidth [3 dB] 360° (V) Beamwidth [3 dB] 8°
Transmitting Power	22 dBm @11ac MCS0 (Note: Transmitting power may vary with local regulations.)
Receiving Sensitivity	-84±2dBm@AC80-MCS0
Throughput Rate	PTP: 160 Mbps/0.5 KM(AC80), 160 Mbps/1 KM(AC80); PTMP(1 to 8): 110 Mbps/1 KM(AC80)
Hardware Parameter	
Network Interface	2 × 1000 Mbps RJ45 ports
LED Indicator	Power indicator, LAN indicator, Signal intensity indicator
Reset	Hardware resetting button
Power Supply	48V 0.33A PoE or PoE(802.3af) 36 ~ 57V 0.13A
PoE Power Supply	
PoE Port	PoE IN/LAN 1
PoE Distance	100m
Software Function	
Application Function	TDMA, DFS, TPC, IFM, IPM
Channel Width	20/40/80 MHz
Channel Selection	Auto/manual selection
Network Protocol	NTP (network time synchronization), SADP (auto search for IP address), HTTPS (web management), SSH (debugging)
Security Mode	WPA2-PSK
Security Mechanism	Wireless network name hidden
Management Method	Web, iVMS-4200, HCP
Upgrade	Web, iVMS-4200, HCP
System Log	Syslog, Control center information
General	
Product Dimensions (W × H × D)	103.6 mm × 58.3 mm × 198.4 mm (4.1" × 2.3" × 7.8")
Package Dimensions (W × H × D)	550 mm × 238 mm × 167 mm (21.6" × 9.3" × 6.5")
Net Weight	0.3 kg (0.66 lb)
Gross Weight	3.5 kg (7.71 lb)
Packing List	Wireless Bridge × 1, Power Supply Adaptor × 1, Power Cord × 1, Regulatory Compliance and Safety Information × 1, Quick Start Guide ×1, Screw Pack × 1, Binding Tape × 2, Antenna ×1
Packing Method	Single unit packing
Working Temperature	-30 °C to 60 °C (-22 °F to 140 °F)

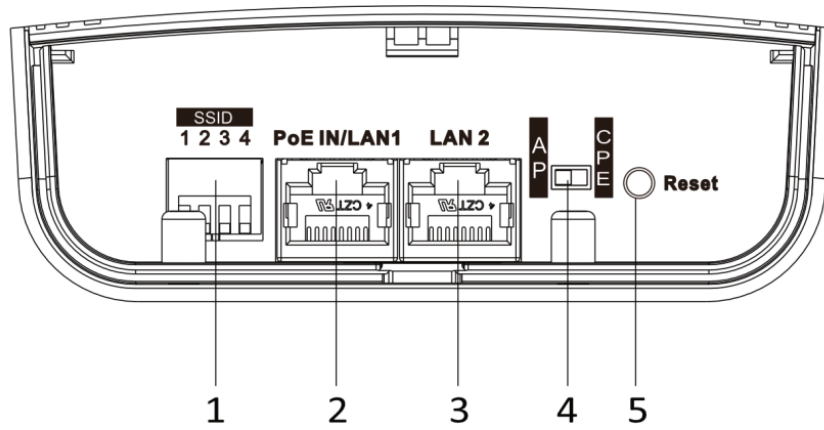
Working Humidity	5% to 95% (no condensation)
Storage Temperature	-40 °C to 80 °C (-40 °F to 176 °F)
Storage Humidity	5% to 95% (no condensation)
Installation Mode	Pole Mounting
Ingress Protection	IP55
Power Consumption	2.65 W for typical (1-ch 2MP IPC), Max. 4.5 W
Approval	
EMC	CE-EMC (EN 55032: 2015+A11: 2020, EN IEC 61000-3-2: 2019, EN 61000-3-3: 2013+A1: 2019, EN 50130-4: 2011+A1: 2014, EN 55035: 2017+A11: 2020)
Safety	UL (UL 60950-1), CB (AMD1:2009, AMD2:2013, IEC 62368-1: 2014 (Second Edition)), CE-LVD (EN 62368-1: 2014+A11: 2017)
Chemistry	CE-RoHS (2011/65/EU), WEEE (2012/19/EU), Reach (Regulation (EC) No.1907/2006)
Radio	EN 301 893, EN 300 440, EN 62311, EN 301 489-3, EN 301 489-17

▪ Typical Application



▪ Physical Interface

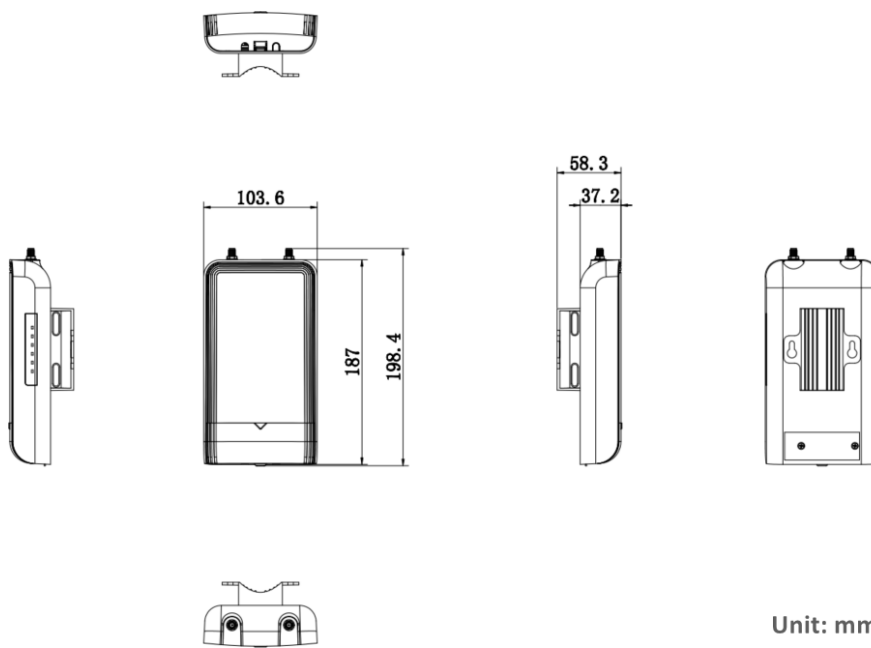
No.	Interface/Button	Description
1	SSID	A DIP switch (4-pin) used to realize 16 sets of matching codes by switching up or down the miniature switches. The CPE will connect to the AP when its SSID matches that of the AP.
2	PoE IN/LAN 1	The 10/100/1000 Mbps adaptive RJ45 port, also can be used as a PoE port.
3	LAN 2	The 10/100/1000 Mbps adaptive RJ45 port.
4	CPE/AP DIP Switch	Switch right or left to set the device as an AP or CPE.
5	Reset	Long press for 4 seconds to restore the device to factory settings.



▪ **Available Model**

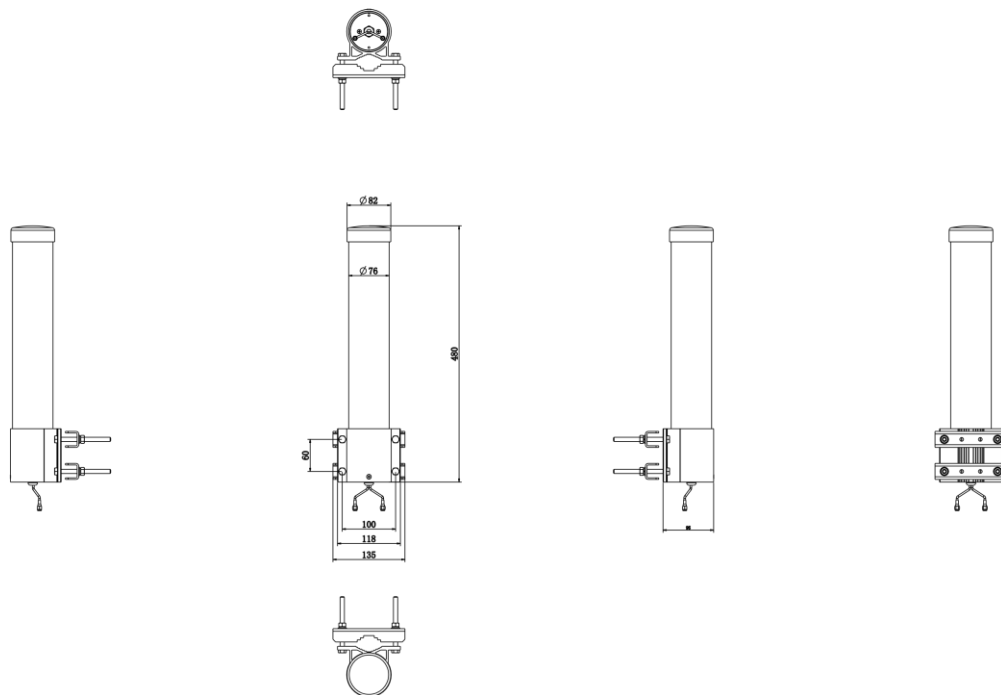
DS-3WF0FA-5AC/O

▪ **Device Dimension**



Unit: mm

▪ **Antenna Dimension**



Headquarters

No.555 Qianmo Road, Binjiang District,
Hangzhou 310051, China
T +86-571-8807-5998
www.hikvision.com



Follow us on social media to get the latest product and solution information.

