



Network Speed Dome

Quick Start Guide

Table of Contents

English 24

Polski 53

Français 27

Română 56

Deutsch 30

Slovenčina 58

Español 33

Bahasa Indonesia 61

Italiano 36

မြန်မာ 64

Português 38

Türkçe 69

Nederlands 41

Русский 71










Čeština 44

Українська 75

Dansk 47

العربية 78

Magyar 50

| | |
|---|--|
|  | <p>Notice/ Attention/ Hinweis/ Aviso/ Avviso/ Aviso/ Mededeling/ Poznámka/ Meddelelse/ Utasítás/ Uwaga/ Informare/ Poznámka/ Pemberitahuan/ အသိပေးချက်/ Dikkat/Примечание/Примітка</p> |
|  | <p>Warning/ Avertissement/ Warnhinweis/ Advertencia/ Avvertenza/ Advertência/ Waarschuwing/ Varování/ Advarsel/ Figyelmeztetés/ Ostrzeżenie/ Avertisment/ Výstraha/ Peringatan/ သတိပေးချက်/ Уваги/Внимание/Увага</p> |
|  | <p>Forbidden/ Interdit/ Verboden/ Prohibidas/ Non consentito/ Proibido/ Verboden/ Zakázáno/ Forbudt/ Tilos/ Zabranióne/ Interzis/ Zakázané/ Dilarang/ တားမြစ်ချက်/ Yasak/Запрещено/Заборонено</p> |
|  | <p>Correct/ Correct/ Richtig/ Correcto/ Corretto/ Correto/ Juist/ Správně/ Korrekt/ Helyes/ Prawidłowo/ Corect/ Správne/ Benar/ မှန်သည်/ Doğru/Правильно/Правильно</p> |
|  | <p>Incorrect/ Incorrect/ Falsch/ Incorrecto/ Non corretto/ Incoretto/ Onjuist/ Nesprávně/ Forkert/ Helytelen/ Nieprawidłowo/ Incorect/ Nesprávne/ Salah/ မမှန်ပါ/ Yanlış/Неправильно/Неправильно</p> |
|  | <p>Turn to step A and continue./ Revenez à l'étape A et continuez./ Gehen Sie zu Schritt A und fahren Sie fort./ Pase la página al paso A y continúe./ Tornare al passaggio A e continuare./ Virar para o passo A e continuar./ Ga naar stap A en ga door./ Přejděte na krok A a pokračujte./ Spring over til trin A, og fortsæt./ Folytassa az A lépéstől./ Przejdź do kroku A i kontynuuj./ Treceți la pasul A și continuați./ Přejďte na krok A a pokračujte./ Ikuti langkah A dan lanjutkan./ အဆင့် A သို့ ပြောင်းပြီး ဆက်လုပ်ပါ။/ A adimna dõnup devam edin./ Перейдите к шагу A и продолжите./ Перейдіть до кроку A і продовжуйте.</p> |
| <p>*</p> | <p>Not necessarily included. /Variable accessory amount. /Skip this step if not required. Pas nécessairement inclus. /Nombre variable d'accessoires. /Ignorez cette étape si elle n'est pas nécessaire. Nicht unbedingt mitgeliefert. /Variabler Zubehörfumfang. /Überspringen Sie diesen Schritt, wenn er nicht erforderlich ist. No necesariamente incluido. /Cantidad variable del accesorio. /Omita este paso si no fue necesario. Non necessariamente incluso. /Quantità dell'accessorio variabile. /Saltare questo passaggio se non necessario. Não necessariamente incluído. /Quantidade variável de acessórios. /Ignore este passo se não for necessário. Niet per se inbegrepen. /Variabel aantal accessoires. /Sla deze stap over als deze niet is vereist. Nemusi být součástí dodávky. /Variabilní počet příslušenství. /Přeskočit tento krok, pokud není vyžadován. Medfølger ikke altid. /Variabelt antal tilbehør. /Spring dette trin over, hvis det ikke er nødvendigt. Nem feltétlenül tartalmazza. /Változó mennyiségű tartozék. /Ha nem szükséges, hagyja ki ezt a lépést. Opcjonalnie uwzględniane w pakiecie z produktem. /Zmienna liczba akcesoriów. /Pomiń ten krok, jeżeli nie jest wymagany. Nu este inclus în mod necesar. /Număr variabil de accesorii. /Omiteți acest pas dacă nu este necesar. Nemusi byť nevyhnutne priložené. /Premennivé množstvo príslušenstva. /Tento krok je možné vynechať, ak nie je nutný. Belum tentu disertakan. /Jumlah aksesorì dapat beragam. /Lewati langkah ini jika tidak diperlukan. ဝင်ရင်း မသေချာပါ။ /ပြောင်းလဲနိုင်သော အပိုပစ္စည်း မဟာဏ။ /မလိုအပ်ပါက ဤအဆင့်ကို ကျော်လွှဲပါ။ Bu ürün olmayabilir. /Farklı aksesuar miktarı. /Gerekli değilse bu adımı atlayın. Эта принадлежность может отсутствовать в комплекте поставки. /Количество принадлежностей зависит от модели устройства. /Пропустите этот шаг, если он не требуется. Може бути відсутнім. /Аксесуар перемінної кількості. /Пропустіть цей крок, якщо не потрібно.</p> |
|  | <p>Grounding/ Mise à la terre/ Erdung/ Conexión a tierra/ Messa a terra/ Ligação à terra/ Aarding/ Uzemnění/ Jordforbindelse/ Földelés/ Masa/uziemienie/ Ímpământare/ Uzemnenie/ Pentanahan/ မြေစိုက်/ Topraklama/Заземление/Заземлення</p> |
|  | <p>Disposal/ Mise au rebut/ Entsorgung/ Eliminación/ Smaltimento/ Eliminação/ Afvoer/ Likvidace/ Bortskaffelse/ Hulladék/ Utylizacja/ Eliminarea/ Likvidácia/ Pembuangan/ စွန့်ပစ်ခြင်း/ Atma/Утилизация/Утилізація</p> |
|  | <p>Purchase separately/À acheter séparément/ Separat erhältlich/ Se vende por separado/ Acquistabile separatamente/ Compré separatamente/ Afzonderlijk aankopen/ K zakopeni samostatně/ Skal købes separat/ Külön vásárolható meg/ Nabywane oddzielnie/ Cumpărați separat/ Kupuje sa samostatne/ Dijual terpisah/ သီးခြား ဝယ်ယူသည်/ Аырка satin alin/Приобретается отдельно/Придбати окремо</p> |



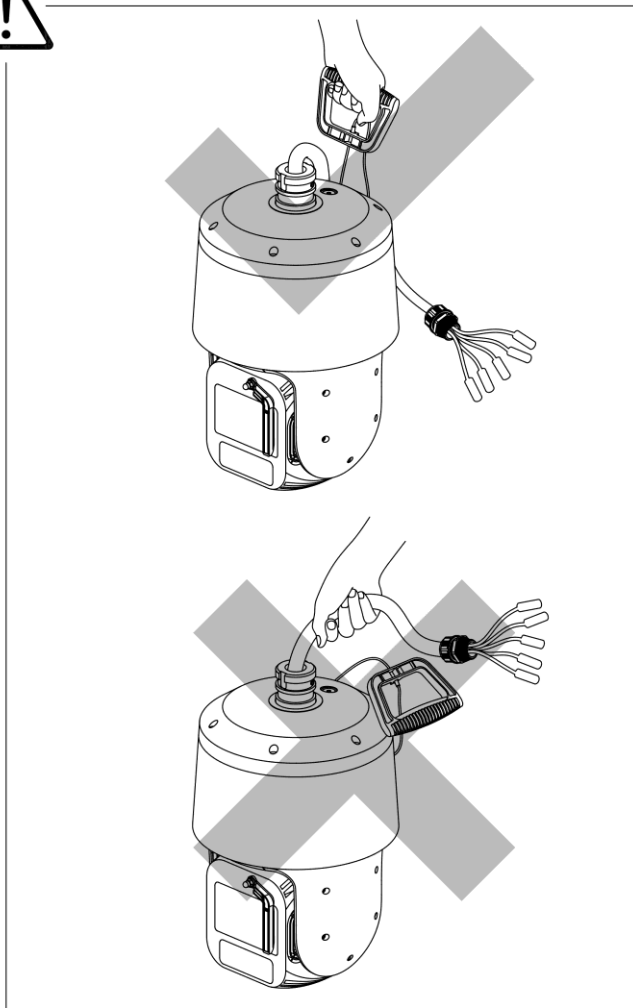
Waterproof material/ Matériel résistant à l'eau/ Wasserfestes Material/ Material a prueba de agua/
 Materiale impermeabile/ Material impermeável/ Waterproof materiaal/ Voděodolný materiál/ Vandtæt
 materiale/ Vizálló anyag/ Materiał wodoodporny/ Material impermeabil/ Vodotesný materiál/ Bahan tahan
 air/ ရေစိမ့်ခံသော ပစ္စည်း/ Su geçirmez malzeme/ Водонепроницаемый материал/ Водостойкий материал

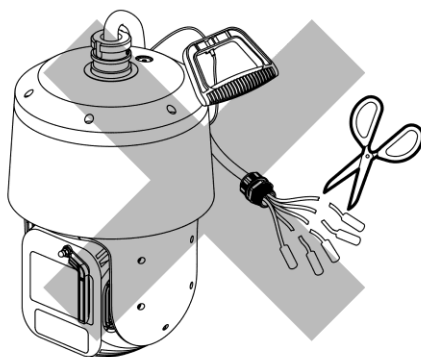
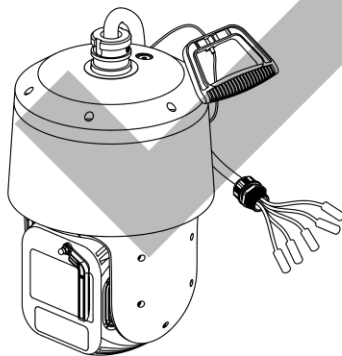


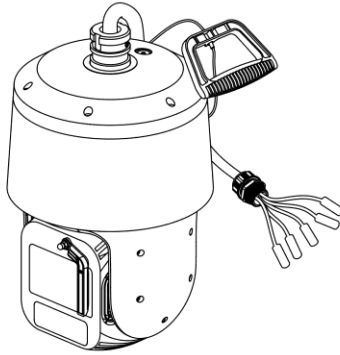
Possible options/ Options possibles/ Mögliche Optionen/ Opciones posibles/ Opzioni disponibili/ Opções
 possíveis/ Beschikbare opties/ Možné volby/ Mulige indstillinger/ Lehetséges opciók/ Možliwe opcje/
 Opțiuni posibile/ Dostupné možnosti/ Opsi yang mungkin/ ဖြစ်နိုင်သော ရွေးချယ်စရာများ/ Olası
 seçenekler/ Возможные опции/ Можливі опції



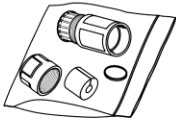
Other options/ Autres options/ Sonstige Optionen/ Otras opciones/ Altre opzioni/ Outras opções/ Overige
 opties/ Jiné volby/ Andre indstillinger/ Egyéb opciók/ Inne opcje/ Alte opțiuni/ Iné možnosti/ Opsi lain/
 အခြား ရွေးချယ်စရာများ/ Diğer seçenekler/ Другие опции/ Інші опції







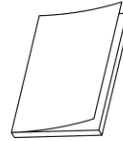
1x



3x



1x



1x



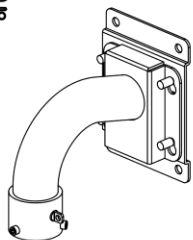
3x



1x



1x



1x



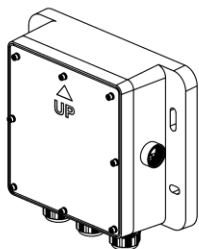
M10×80

1x



M10

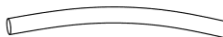
1x



1x



1x



3x



3x



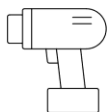
1x



M8×80

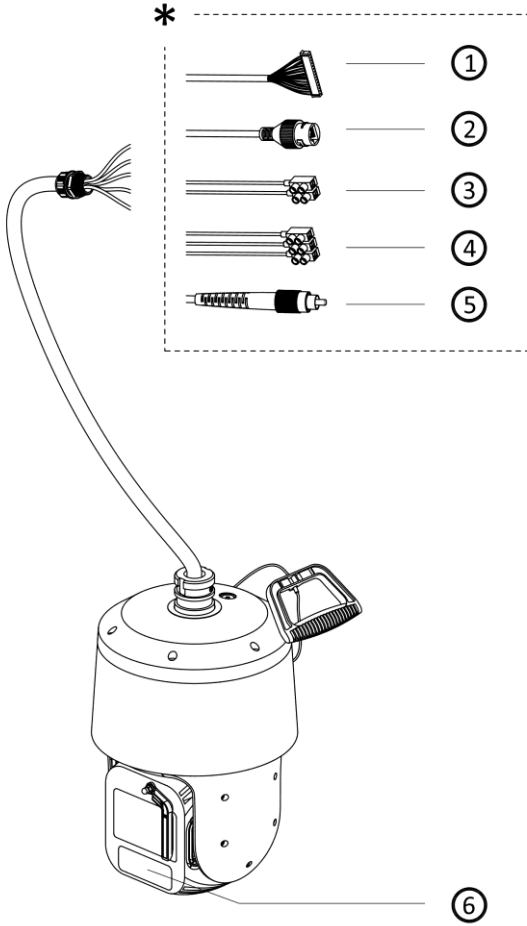
1x

Ø12.5mm

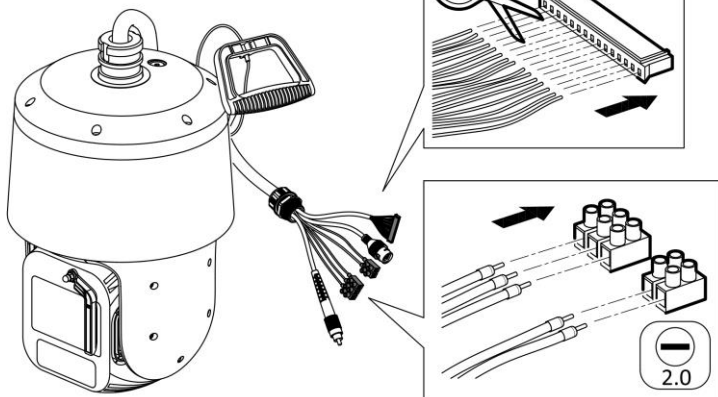


Ø14.5mm

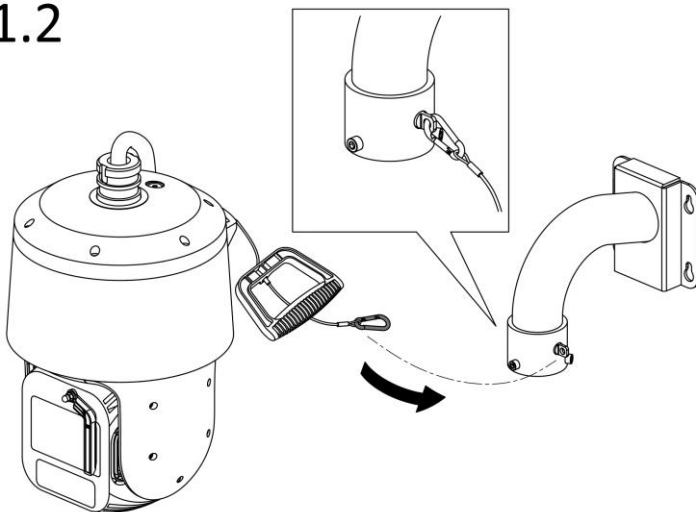




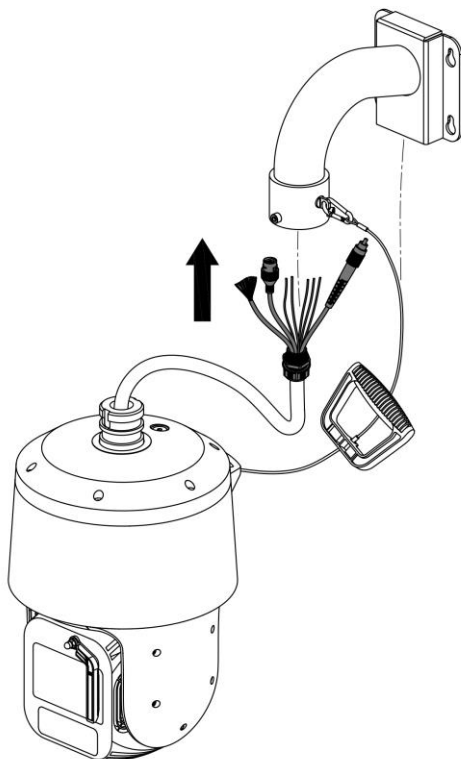
1.1



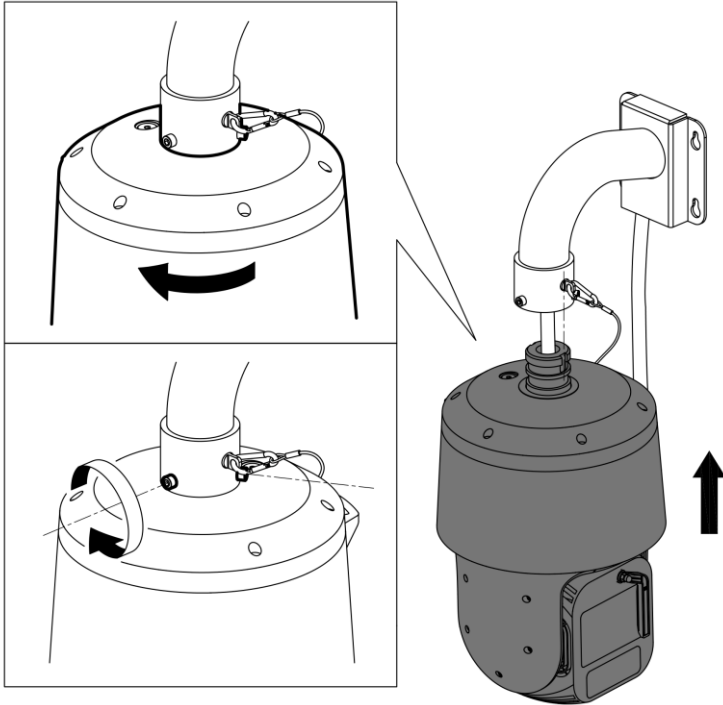
1.2



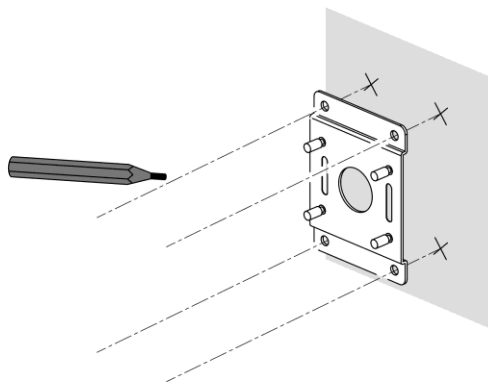
1.3



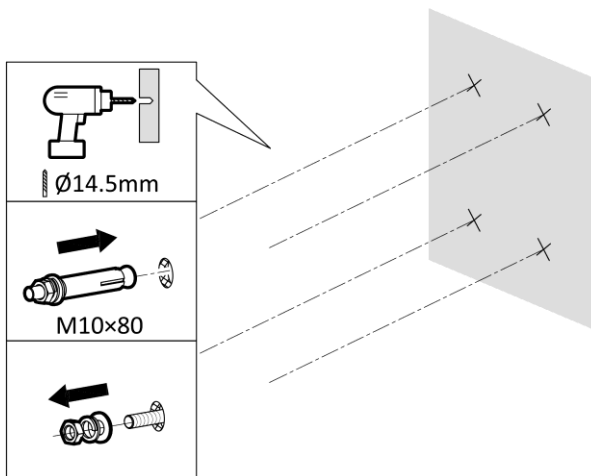
1.4



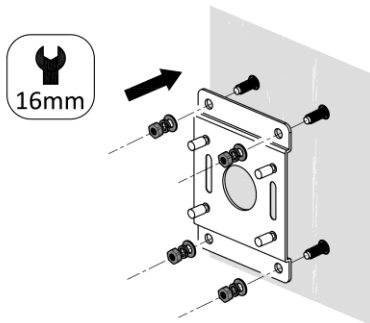
2.1



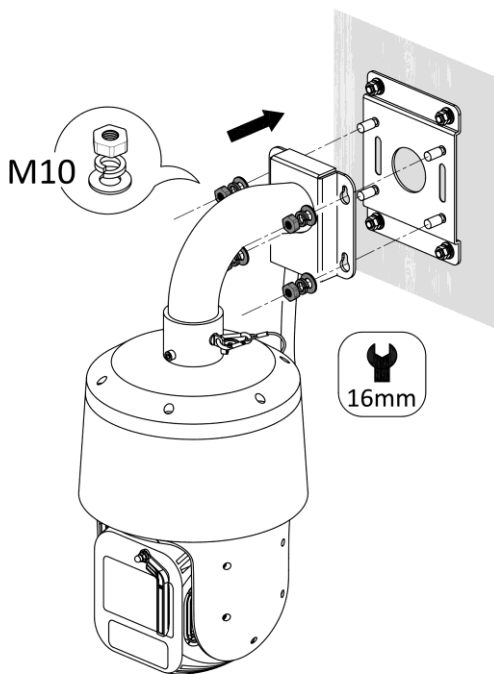
2.2



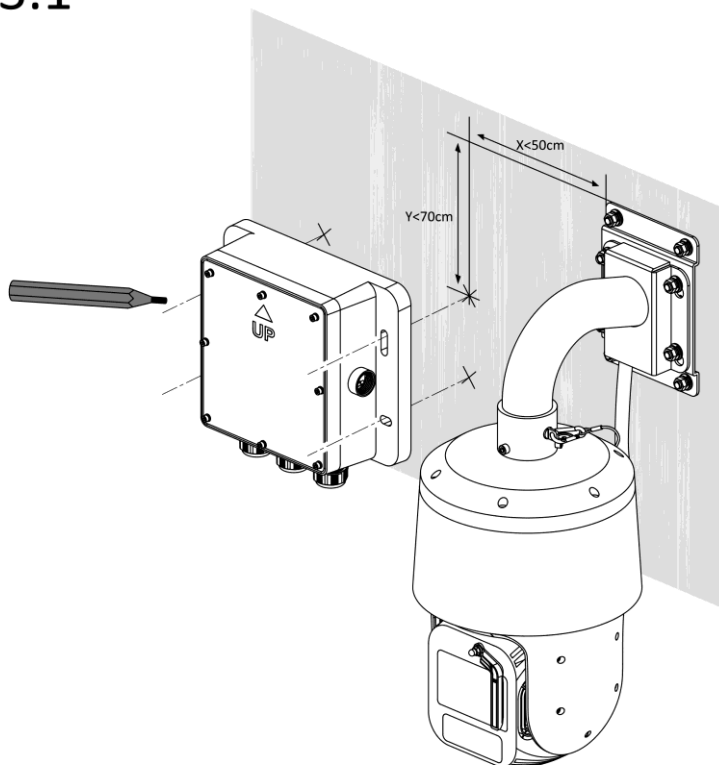
2.3



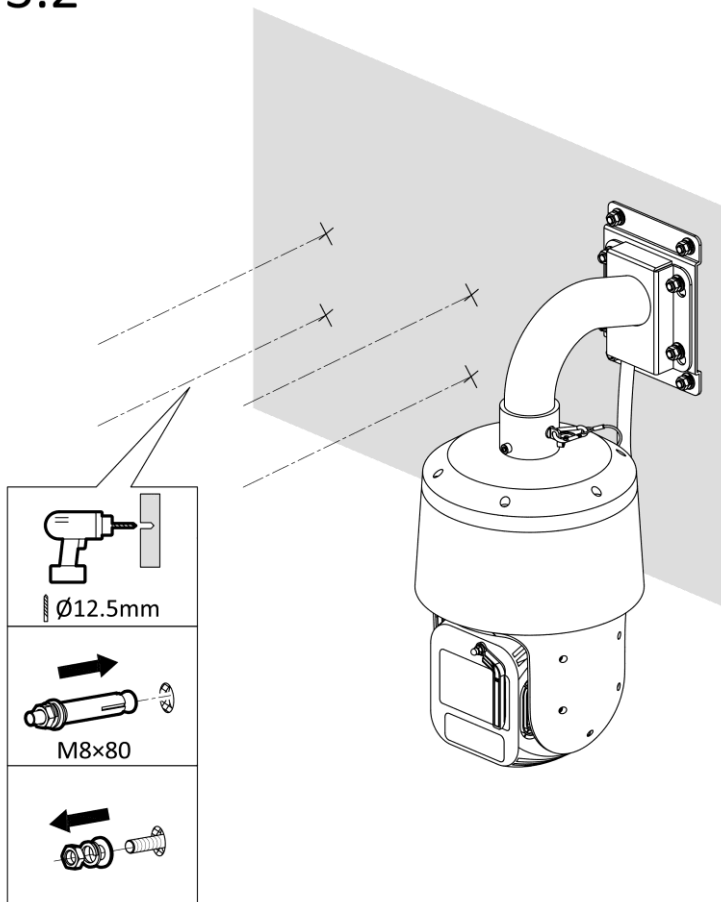
2.4



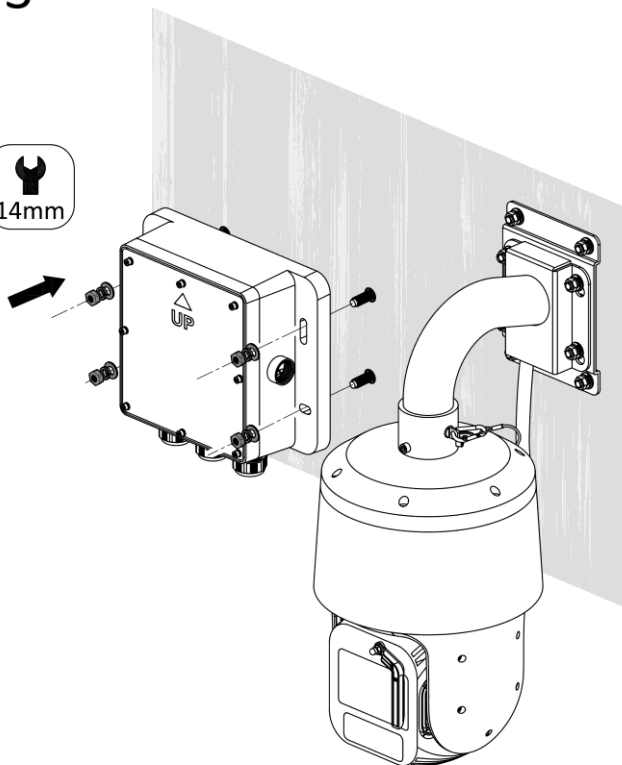
3.1



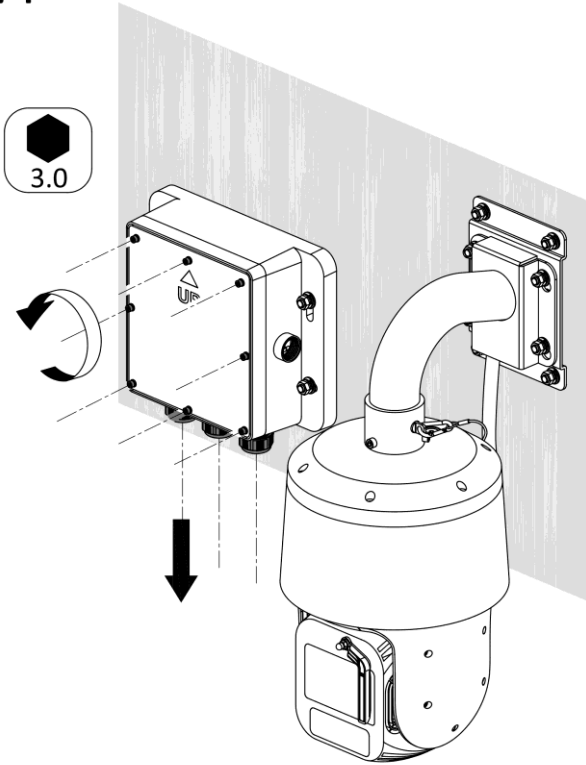
3.2



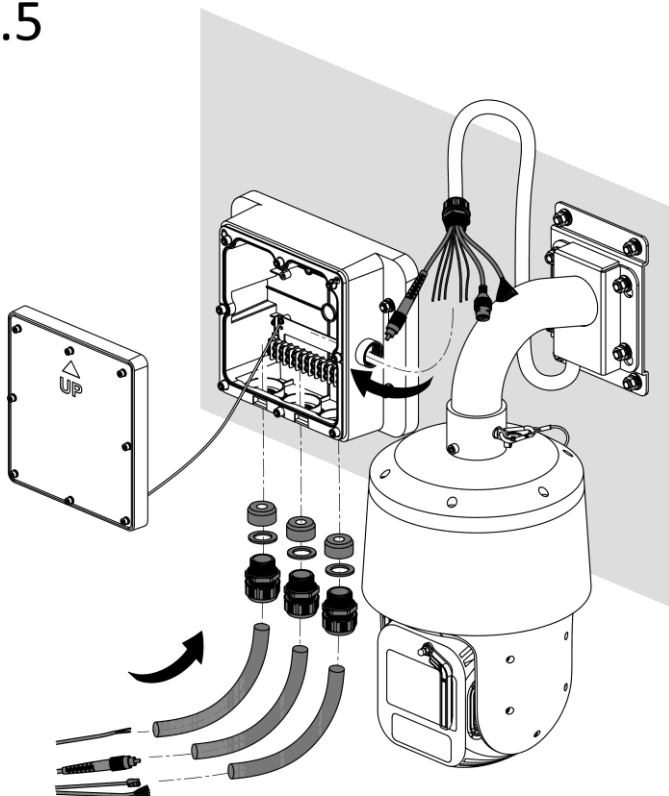
3.3


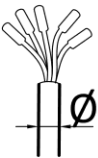








3.4

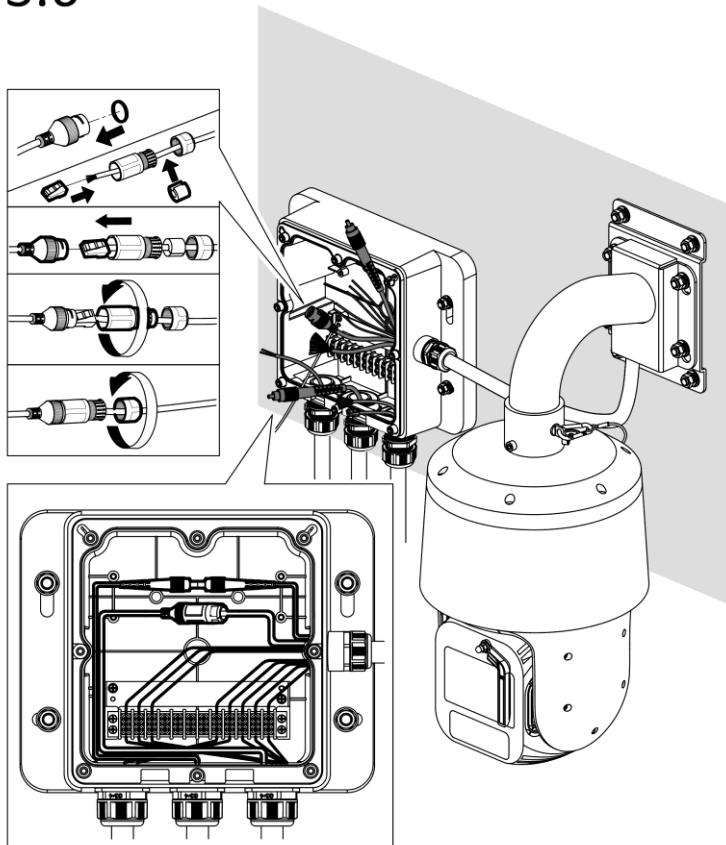


3.5

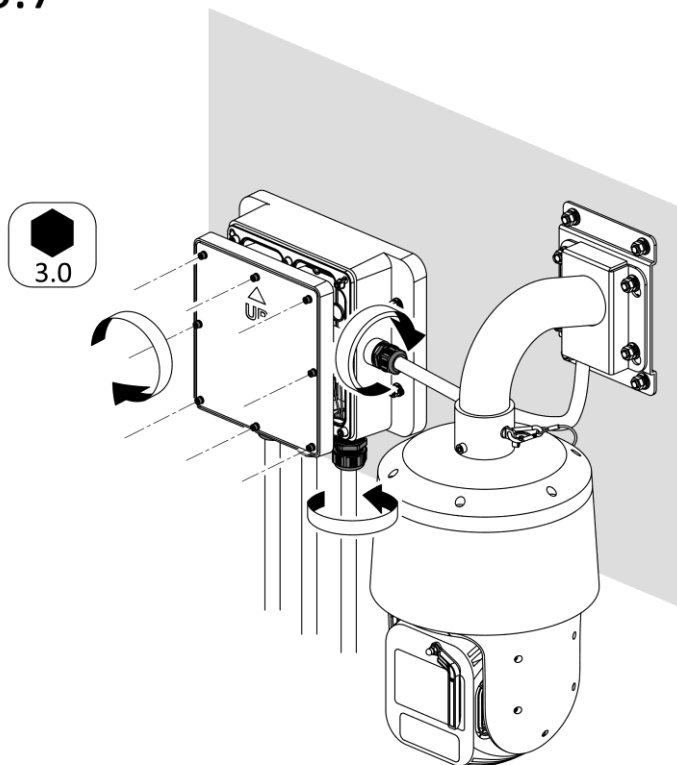


| | | | | |
|--|--|--|---|---|
|  |  | $5.5 \leq \varnothing \leq 6.0\text{mm}$ |  |  |
| | | $7.5 \leq \varnothing \leq 8.0\text{mm}$ |  |  |
| | | $10.5 \leq \varnothing \leq 11\text{mm}$ |  |  |

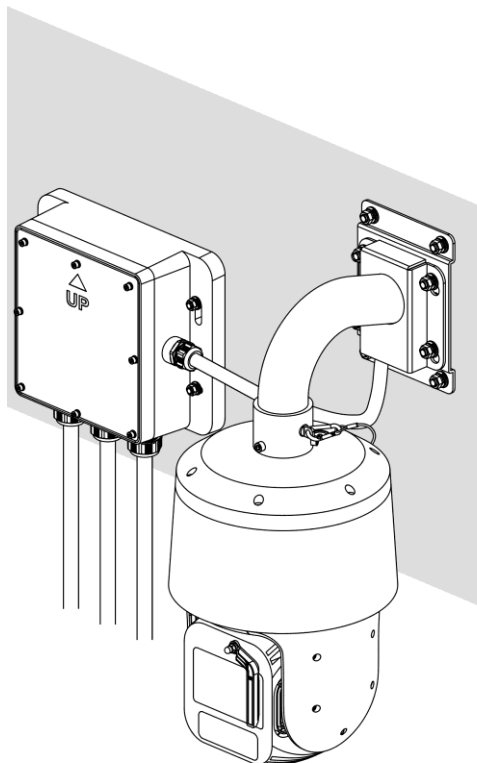
3.6

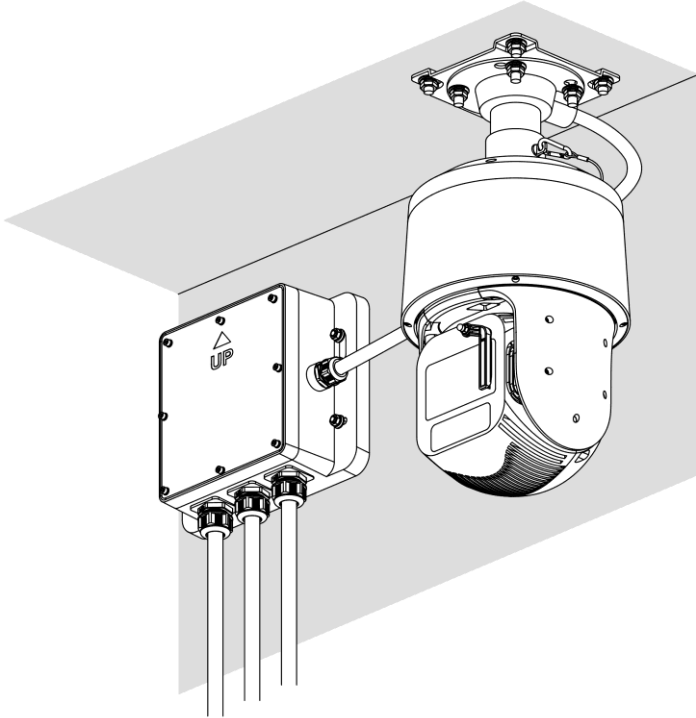


3.7

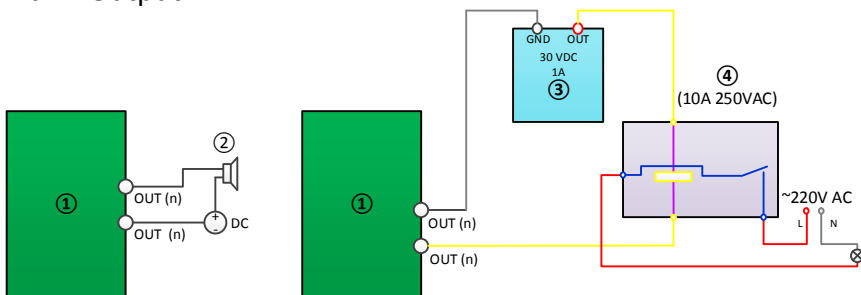


3.8





Alarm Output



- ① Relay output/ Sortie relais/ Relaisausgang/ Salida de relé/ Uscita relè/ Saída de relé/ Relaisuitgang/ Výstup relé/ Relæudgang/ Relékimenet/ Wyjście przekaźnikowe/ Ieşire releu/ Výstup relé/ Output relai/ ထပ်ဆင့် ထုတ်လွှင့်မှု/ Röle çikisi/Релейный выход/Релейний вихід/ ناتج الرد
- ② DC load/ Chargement CC/ DC last/ Carga de CC/ Carico CC/ Carga CC/ DC-belasting/ DC zatížení/ Jævnstrømsbelastning/ Egyenáramú terhelés/ Obciążenie DC/ Sarcină de curent continuu/ Zatáženie DC/ Beban DC/ DC လျှပ်စစ်ခါတ်အား/ DC yükü/Нагрузка для источника питания постоянного тока/Навантаження пост. Струму/ حمل التيار المستمر/ حمل التيار المستمر
- ③ Power supply/ Alimentation/ Spannungsversorgung/ Alimentación eléctrica/ Alimentazione/ Alimentação elétrica/ Voeding/ Napájení/ Strømforsyning/ Tápellátás/ Zasilanie/ Alimentare electrică/ Zdroj napájania/ Catu daya/ ოლი აპონც/ Güç kaynağı/Источник питания/Живлення/مصدر الطاقة
- ④ JQC-3FG relay/ Relais JQC-3FG/ JQC-3FG-Relais/ Relé JQC-3FG/ relè JQC-3FG/ Relé JQC-3FG/ JQC-3FG relais/ Relé JQC-3FG/ JQC-3FG-relæ/ JQC-3FG relé/ Przełącznik JQC-3FG/ releu JQC-3FG/ Relé JQC-3FG/ Relai JQC-3FG/ JQC-3FG ရီလေး/ JQC-3FG rölesi/Реле JQC-3FG/Реле JQC-3FG/مرحل JQC-3FG



Protective Measures for Outdoor Installation



Activate and Access Network Camera



Product appearance is for reference only and may differ from the actual product.

Interface (Page 8)

- ① Alarm & Audio interface
- ② Network interface
- ③ RS-485
- ④ Power
- ⑤ Fiber optical interface
- ⑥ Laser

About this Document

- The Document includes instructions for using and managing the Product. Pictures, charts, images and all other information hereinafter are for description and explanation only.
- The information contained in the document is subject to change, without notice, due to firmware updates or other reasons. Please find the latest version of the Document at the Hikvision website (<https://www.hikvision.com>). Unless otherwise agreed, Hangzhou Hikvision Digital Technology Co., Ltd. or its affiliates (hereinafter referred to as "Hikvision") makes no warranties, express or implied.
- Please use the Document with the guidance and assistance of professionals trained in supporting the Product.

About this Product

This product can only enjoy the after-sales service support in the country or region where the purchase is made.

Acknowledgment of Intellectual Property Rights

- Hikvision owns the copyrights and/or patents related to the technology embodied in the Products described in this Document, which may include licenses obtained from third parties.
- Any part of the Document, including text, pictures, graphics, etc., belongs to Hikvision. No part of this Document may be excerpted, copied, translated, or modified in whole or in part by any means without written permission.
- **HIKVISION** and other Hikvision's trademarks and logos are the properties of Hikvision in various jurisdictions.
- Other trademarks and logos mentioned are the properties of their respective owners.

LEGAL DISCLAIMER

- TO THE MAXIMUM EXTENT PERMITTED BY APPLICABLE LAW, THIS DOCUMENT AND THE PRODUCT DESCRIBED, WITH ITS HARDWARE, SOFTWARE AND FIRMWARE, ARE PROVIDED "AS IS" AND "WITH ALL FAULTS AND ERRORS". HIKVISION MAKES NO WARRANTIES, EXPRESS OR IMPLIED, INCLUDING WITHOUT LIMITATION, MERCHANTABILITY, SATISFACTORY QUALITY, OR FITNESS FOR A PARTICULAR PURPOSE. THE USE OF THE PRODUCT BY YOU IS AT YOUR OWN RISK. IN NO EVENT WILL HIKVISION BE LIABLE TO YOU FOR ANY SPECIAL, CONSEQUENTIAL, INCIDENTAL, OR INDIRECT DAMAGES, INCLUDING, AMONG OTHERS, DAMAGES FOR LOSS OF BUSINESS PROFITS, BUSINESS INTERRUPTION, OR LOSS OF

DATA, CORRUPTION OF SYSTEMS, OR LOSS OF DOCUMENTATION, WHETHER BASED ON BREACH OF CONTRACT, TORT (INCLUDING NEGLIGENCE), PRODUCT LIABILITY, OR OTHERWISE, IN CONNECTION WITH THE USE OF THE PRODUCT, EVEN IF HIKVISION HAS BEEN ADVISED OF THE POSSIBILITY OF SUCH DAMAGES OR LOSS.

- YOU ACKNOWLEDGE THAT THE NATURE OF THE INTERNET PROVIDES FOR INHERENT SECURITY RISKS, AND HIKVISION SHALL NOT TAKE ANY RESPONSIBILITIES FOR ABNORMAL OPERATION, PRIVACY LEAKAGE OR OTHER DAMAGES RESULTING FROM CYBER-ATTACK, HACKER ATTACK, VIRUS INFECTION, OR OTHER INTERNET SECURITY RISKS; HOWEVER, HIKVISION WILL PROVIDE TIMELY TECHNICAL SUPPORT IF REQUIRED.
- YOU AGREE TO USE THIS PRODUCT IN COMPLIANCE WITH ALL APPLICABLE LAWS, AND YOU ARE SOLELY RESPONSIBLE FOR ENSURING THAT YOUR USE CONFORMS TO THE APPLICABLE LAW. ESPECIALLY, YOU ARE RESPONSIBLE, FOR USING THIS PRODUCT IN A MANNER THAT DOES NOT INFRINGE ON THE RIGHTS OF THIRD PARTIES, INCLUDING WITHOUT LIMITATION, RIGHTS OF PUBLICITY, INTELLECTUAL PROPERTY RIGHTS, OR DATA PROTECTION AND OTHER PRIVACY RIGHTS. YOU SHALL NOT USE THIS PRODUCT FOR ANY PROHIBITED END-USES, INCLUDING THE DEVELOPMENT OR PRODUCTION OF WEAPONS OF MASS DESTRUCTION, THE DEVELOPMENT OR PRODUCTION OF CHEMICAL OR BIOLOGICAL WEAPONS, ANY ACTIVITIES IN THE CONTEXT RELATED TO ANY NUCLEAR EXPLOSIVE OR UNSAFE NUCLEAR FUEL-CYCLE, OR IN SUPPORT OF HUMAN RIGHTS ABUSES.
- IN THE EVENT OF ANY CONFLICTS BETWEEN THIS DOCUMENT AND THE APPLICABLE LAW, THE LATTER PREVAILS.

© Hangzhou Hikvision Digital Technology Co., Ltd.
All rights reserved.

Regulatory Information

These clauses apply only to the products bearing the corresponding mark or information.

EU/UK Compliance Statement



This product and - if applicable - the supplied accessories too are marked with "CE" and comply therefore with the applicable harmonized European standards listed under the Directive 2014/30/EU (EMCD) and Directive 2011/65/EU (RoHS).

Note: The products with the input voltage of within 50 to 1000 VAC or 75 to 1500 VDC comply with Directive 2014/35/EU (LVD), and the rest products comply with Directive 2001/95/EC (GPSD). Please check the specific power supply information for reference.

The full text of the EU declaration of conformity is available at the following internet address: <https://www.hikvision.com/en/support/compliance/declaration-of-conformity>.

This product and - if applicable - the supplied



accessories too are marked with "UKCA" and comply therefore with the following directives: Electromagnetic

Compatibility Regulations 2016, Electrical Equipment (Safety) Regulations 2016, the Restriction of the Use of Certain Hazardous Substances in Electrical and Electronic Equipment Regulations 2012.

Warning: This is a class A product. In a domestic environment this product may cause radio interference, in which case, the user may be required to take adequate measures.



Directive 2012/19/EU (WEEE Directive): Products marked with this symbol cannot be disposed of as unsorted municipal waste in the European Union.

For proper recycling, return this product to your local supplier upon the purchase of equivalent new equipment, or dispose of it at designated collection points. For more information see: www.recyclethis.info.

According to the Waste Electrical and Electronic Equipment Regulations 2013: Products marked with this symbol cannot be disposed of as unsorted municipal waste in the United Kingdom. For proper recycling, return this product to your local supplier upon the purchase of equivalent new equipment, or dispose of it at designated collection points. For more information see: www.recyclethis.info.



Directive 2006/66/EC and its amendment 2013/56/EU (Battery Directive): This product contains a battery that cannot be disposed of as

unsorted municipal waste in the European Union. See the product documentation for specific battery information. The battery is marked with this symbol, which may include lettering to indicate cadmium (Cd), lead (Pb), or mercury (Hg). For proper recycling, return the battery to your supplier or to a designated collection point. For more information see: www.recyclethis.info.

According to the Batteries and Accumulators (Placing on the Market) Regulations 2008 and the Waste Batteries and Accumulators Regulations 2009: This product contains a battery that cannot be disposed of as unsorted municipal waste in the United Kingdom. See the product documentation for specific battery information. The battery is marked with this symbol, which may include lettering to indicate cadmium (Cd), lead (Pb), or mercury (Hg). For proper recycling, return the battery to your supplier or to a designated collection point. For more information see: www.recyclethis.info.

Industry Canada ICES-003 Compliance

This device meets the CAN ICES-003 (A) / NMB-003 (A) standards requirements.

Cet appareil répond aux exigences des normes CAN ICES-003 (A)/NMB-003 (A).

KC

A급 기기: 이 기기는 업무용(A급) 전자파적합기기로서 판매자 또는 사용자는 이 점을 주의하시기바라며, 가정 외의 지역에서 사용하는 것을 목적으로 합니다.

Safety Instruction



Warnings

Laws and Regulations

The device should be used in compliance with local laws, electrical safety regulations, and fire prevention regulations.

Electrical Safety

CAUTION: To reduce the risk of fire, replace only with the same type and rating of fuse.

This equipment shall be installed incorporated with UPS to avoid the risk of restart.

Battery

This equipment is not suitable for use in locations where children are likely to be present.

CAUTION: Risk of explosion if the battery is replaced by an incorrect type.

Improper replacement of the battery with an incorrect type may defeat a safeguard (for example, in the case of some lithium battery types).

Do not dispose of the battery into fire or a hot oven, or mechanically crush or cut the battery, which may result in an explosion.

Do not leave the battery in an extremely high temperature surrounding environment, which may result in an explosion or the leakage of flammable liquid or gas.

Do not subject the battery to extremely low air pressure, which may result in an explosion or the leakage of flammable liquid or gas.

Dispose of used batteries according to the instructions.



Cautions

Fire Prevention

No naked flame sources, such as lighted candles, should be placed on the equipment.

The serial port of the equipment is used for debugging only.

Hot Surface

CAUTION: Hot parts! Burned fingers when handling the parts.



This sticker is to indicate that the marked item can be hot and should not be touched without taking care. Wait one-half hour after switching off before handling parts.

The device with this sticker is intended for installation in a restricted access location. Access can only be gained by service persons or by users who have been instructed about the reasons for the restrictions applied to the location and about any precautions that shall be taken.

Installation

Install the equipment according to the instructions in this manual.

To prevent injury, this equipment must be securely attached to the ceiling/wall in accordance with the installation instructions.

Be sure that there is enough space to install the device and accessories.

Make sure that the wall is strong enough to withstand at least 8 times the weight of the device and the mount.

Make sure that the power has been disconnected before you wire, install, or disassemble the device.

Transportation

Keep the device in original or similar packaging while transporting it.

Do not drop the product or subject it to physical shock.

Power Supply

The power source should meet limited power source or PS2 requirements according to IEC 60950-1 or IEC 62368-1 standard.

Refer to the device label for the standard power supply. Please make sure your power supply matches with your device.

Use a power adapter provided by qualified manufacturers. It is recommended to provide an independent power adapter for each device as adapter overload may cause over-heating or a fire hazard.

System Security

Please understand that you have the responsibility to configure all the passwords and other security settings about the device, and keep your user name and password.

Maintenance

If the product does not work properly, please contact your dealer or the nearest service center. We shall not assume any responsibility for problems caused by unauthorized repair or maintenance.

A few device components (e.g., electrolytic capacitor) require regular replacement. The average lifespan varies, so periodic checking is recommended. Contact your dealer for details.

Cleaning

Please use a soft and dry cloth to clean the interior and exterior surfaces. Do not use alkaline detergents.

Using Environment

When any laser equipment is in use, make sure that the device lens is not exposed to the laser beam, or it may burn out.

Do not aim the lens at the sun or any other bright light.

To avoid heat accumulation, good ventilation is required for a proper operating environment.

DO NOT expose the device to extremely hot, cold, dusty, corrosive, saline-alkali, or damp environments.

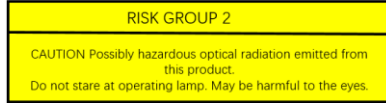
For outdoor devices, the working temperature shall be -30°C to 65°C (-22°F to 149°F) and the working humidity shall be lower than 90%. For indoor devices, the working temperature shall be -10°C to 50°C (-14°F to 122°F) and the working humidity shall be lower than 90%.

DO NOT expose the device to high electromagnetic radiation.

Illuminator

Make sure that there is no reflective surface too close to the device lens. The light from the device may reflect back into the lens causing reflection.

The beam of the light at the distance of 200 mm is classified as Risk Group 2 (RG2) of retinal blue light hazard, and at the distance of 250 mm is classified as Risk Group 1 (RG1). The minimum safe distance is approximately 1.7 m away from the device.



Possible hazardous optical radiation emitted from this product. IR emitted from this product. DO NOT stare at operating light source. May be harmful to the eyes.

If appropriate shielding or eye protection is not available, turn on the light only at a safe distance or in the area that is not directly exposed to the light.

When assembling, installing or maintaining the device, DO NOT turn on the light, or wear eye protection.

For Device with Laser

Only professionals can operate the device with laser module. DO NOT stare at operating light source. May be harmful to the eyes.

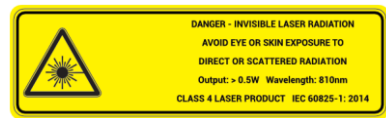
If appropriate shielding or eye protection is not available, turn on the light only at a safe distance or in the area that is not directly exposed to the light.

The working wavelength of eye protection should cover the peak wavelength of the laser, and optical density value should be larger than OD4+.

When assembling, installing or maintaining the device, DO NOT turn on the light, or wear eye protection.

Warning: This sticker is to indicate that the laser radiation emitted from the device can cause eye injuries, burning of skin or inflammable substances. Before enabling the Light Supplement function, make sure no human or inflammable substances are in front of the laser lens. Do not place the device where minors can fetch it.

Laser Class 4 Information



Wavelength: 810 nm

Min. Beam Divergence: 5°±0.5°

Max. Beam Divergence: 12°±5°

Max. Output: 500 mW

NOHD (Nominal Ocular Hazard Distance): 7 m

Emergency

If smoke, odor, or noise arises from the device, immediately turn off the power, unplug the power cable, and contact the service center.

Time Synchronization

Set up device time manually for the first time access if the local time is not synchronized with that of the network. Visit the device via web browser/client software and go to time settings interface.



L'image du produit est donnée uniquement à titre de référence et le produit réel peut présenter un aspect différent.

Interface (page 8)

- ① Interface d'alarme et audio
- ② Interface réseau
- ③ RS-485
- ④ Alimentation
- ⑤ Interface à fibre optique
- ⑥ Laser

À propos de ce document

- Ce document fournit des instructions d'utilisation et de gestion du produit. Les images, les tableaux, les figures et toutes les autres informations ci-après ne sont donnés qu'à titre de description et d'explication.
- Les informations contenues dans ce document sont modifiables sans préavis, en raison d'une mise à jour d'un micrologiciel ou pour d'autres raisons. La dernière version de ce Document est disponible sur le site Internet de Hikvision (<https://www.hikvision.com>). Sauf accord contraire, Hangzhou Hikvision Digital Technology Co., Ltd. ou ses filiales (ci-après dénommées « Hikvision ») n'offre aucune garantie, expresse ou implicite.
- Veuillez utiliser ce Document avec les conseils et l'assistance de professionnels spécialement formés dans la prise en charge de ce produit.

À propos de ce produit

Ce produit ne peut bénéficier du service après-vente que dans le pays ou la région où l'achat a été effectué.

Reconnaissance des droits de propriété intellectuelle

- Hikvision détient les droits d'auteur et/ou les brevets relatifs à la technologie incorporée dans les produits décrits dans le présent document, qui peuvent inclure des licences obtenues auprès de tiers.
- Toute partie du Document, y compris le texte, les images, les graphiques, etc., appartient à Hikvision. Aucune partie de ce Document ne peut être extraite, copiée, traduite ou modifiée en tout ou en partie par quelque moyen que ce soit sans autorisation écrite.
- **HIKVISION** et d'autres marques de commerce et logos de Hikvision appartiennent à Hikvision dans divers pays.
- Toutes les autres marques et tous les logos mentionnés appartiennent à leurs propriétaires respectifs.

MENTIONS LÉGALES

- DANS LES LIMITES AUTORISÉES PAR LA LOI EN VIGUEUR, LE PRÉSENT DOCUMENT ET LE PRODUIT DÉCRIT, AINSI QUE SON MATÉRIEL, SES LOGICIELS ET SES MICROLOGICIELS, SONT FOURNIS « EN L'ÉTAT » ET « AVEC CES DÉFAUTS ET ERREURS ». HIKVISION NE FAIT AUCUNE GARANTIE, EXPLICITE OU IMPLICITE, Y COMPRIS,

MAIS SANS S'Y LIMITER, DE QUALITÉ MARCHANDE, DE QUALITÉ SATISFAISANTE, OU D'ADÉQUATION À UN USAGE PARTICULIER. VOUS UTILISEZ LE PRODUIT À VOS PROPRES RISQUES. HIKVISION NE SERA EN AUCUN CAS TENU RESPONSABLE POUR TOUT DOMMAGE SPÉCIAL, CONSÉCUTIF, ACCESSOIRE OU INDIRECT, Y COMPRIS, ENTRE AUTRES, LES DOMMAGES RELATIFS À LA PERTE DE PROFITS D'ENTREPRISE, À L'INTERRUPTION D'ACTIVITÉS COMMERCIALES, OU LA PERTE DES DONNÉES, LA CORRUPTION DES SYSTÈMES, OU LA PERTE DES DOCUMENTS, S'ILS SONT BASÉS SUR UNE VIOLATION DE CONTRAT, UNE FAUTE (Y COMPRIS LA NÉGLIGENCE), LA RESPONSABILITÉ EN MATIÈRE DE PRODUITS, OU AUTRE, EN RAPPORT AVEC L'UTILISATION DU PRODUIT, MÊME SI HIKVISION A ÉTÉ INFORMÉ DE LA POSSIBILITÉ D'UN TEL DOMMAGE OU D'UNE TELLE PERTE.

- VOUS RECONNAISSEZ QUE LA NATURE D'INTERNET EST SOURCE DE RISQUES DE SÉCURITÉ INHÉRENTS, ET HIKVISION SE DÉGAGE DE TOUTE RESPONSABILITÉ EN CAS DE FONCTIONNEMENT ANORMAL, DIVULGATION D'INFORMATIONS CONFIDENTIELLES OU AUTRES DOMMAGES DÉCOULANT D'UNE CYBERATTAQUE, D'UN PIRATAGE INFORMATIQUE, D'UNE INFECTION PAR DES VIRUS, OU AUTRES RISQUES DE SÉCURITÉ LIÉS À INTERNET ; TOUTEFOIS, HIKVISION FOURNIRA UNE ASSISTANCE TECHNIQUE DANS LES DÉLAIS, LE CAS ÉCHÉANT.
- VOUS ACCEPTEZ D'UTILISER CE PRODUIT CONFORMÉMENT À L'ENSEMBLE DES LOIS EN VIGUEUR. IL EST DE VOTRE RESPONSABILITÉ EXCLUSIVE DE VEILLER À CE QUE VOTRE UTILISATION SOIT CONFORME À LA LOI APPLICABLE. IL VOUS APPARTIENT SURTOUT D'UTILISER CE PRODUIT D'UNE MANIÈRE QUI NE PORTE PAS ATTEINTE AUX DROITS DE TIERS, Y COMPRIS, MAIS SANS S'Y LIMITER, LES DROITS DE PUBLICITÉ, LES DROITS DE PROPRIÉTÉ INTELLECTUELLE, OU LA PROTECTION DES DONNÉES ET D'AUTRES DROITS À LA VIE PRIVÉE. VOUS NE DEVEZ PAS UTILISER CE PRODUIT POUR TOUTE UTILISATION FINALE INTERDITE, NOTAMMENT LA MISE AU POINT OU LA PRODUCTION D'ARMES DE DESTRUCTION MASSIVE, LA MISE AU POINT OU LA FABRICATION D'ARMES CHIMIQUES OU BIOLOGIQUES, LES ACTIVITÉS DANS LE CONTEXTE LIÉ AUX EXPLOSIFS NUCLÉAIRES OU AU CYCLE DU COMBUSTIBLE NUCLÉAIRE DANGEREUX, OU SOUTENANT LES VIOLATIONS DES DROITS DE L'HOMME.
- EN CAS DE CONFLIT ENTRE CE DOCUMENT ET LES LOIS EN VIGUEUR, CES DERNIÈRES PRÉVALENT.

© Hangzhou Hikvision Digital Technology Co., Ltd.
Tous droits réservés.

Réglementation

Ces clauses ne s'appliquent qu'aux produits portant la marque ou l'information correspondante.

Déclaration de conformité UE



Ce produit et, le cas échéant, les accessoires fournis portent le marquage « CE » et sont donc conformes aux normes européennes harmonisées applicables répertoriées dans la Directive 2014/30/UE (directive

sur la compatibilité électromagnétique) et la Directive 2011/65/UE (RoHS).

Remarque : Les produits dont la tension d'entrée est comprise entre 50 et 1 000 V CA ou 75 et 1 500 V CC sont conformes à la directive 2014/35/UE (LVD), et les autres produits sont conformes à la directive 2001/95/CE (GPSD). Veuillez examiner les informations d'alimentation spécifiques à des fins de référence.

L'intégralité du texte de la Déclaration UE de conformité est disponible à l'adresse Internet suivante :

<https://www.hikvision.com/en/support/compliance/declaration-of-conformity>.

Avvertissement : Il s'agit d'un produit de classe A.

Dans un environnement domestique, ce produit peut provoquer des interférences radio, auquel cas l'utilisateur peut être amené à prendre des mesures adéquates.



Directive 2012/19/UE (directive DEEE) : dans l'Union européenne, les produits portant ce pictogramme ne doivent pas être déposés dans une décharge municipale où le tri des déchets n'est pas pratiqué. Pour un recyclage adéquat, remettez ce produit à votre revendeur lors de l'achat d'un nouvel équipement équivalent, ou déposez-le dans un lieu de collecte prévu à cet effet. Pour plus d'informations, rendez-vous sur : www.recyclethis.info.



Directive 2006/66/CE et son amendement 2013/56/UE (directive sur les batteries) : ce produit renferme une pile qui ne doit pas être déposée dans une décharge municipale où le tri des déchets n'est pas pratiqué, dans l'Union européenne. Pour plus de précisions sur la pile, reportez-vous à sa documentation. La pile porte le pictogramme ci-contre, qui peut inclure la mention Cd (cadmium), Pb (plomb) ou Hg (mercure). Pour la recycler correctement, renvoyez-la à votre revendeur ou déposez-la dans un point de collecte prévu à cet effet. Pour plus d'informations, rendez-vous sur : www.recyclethis.info.

Consignes de sécurité



Avvertissements

Lois et réglementations

L'appareil doit être utilisé conformément à la législation locale ainsi qu'aux réglementations en matière de sécurité électrique et de prévention des incendies.

Sécurité électrique

ATTENTION : Pour réduire le risque d'incendie, remplacez-le uniquement par un fusible de même type et de même calibre.

Cet équipement doit être installé avec un onduleur pour éviter tout risque de redémarrage.

Batterie

Cet équipement n'est pas adapté à un usage dans les endroits où des enfants sont susceptibles d'être présents.

ATTENTION : Il y a un risque d'explosion lorsque la batterie est remplacée par une batterie de type incorrect.

Le remplacement de la pile par une pile du mauvais type peut conduire à l'annulation d'une protection (par exemple, dans le cas de certains types de piles au lithium).

Ne jetez pas une pile au feu ou dans un four chaud, ni ne broyez mécaniquement ou découpez une pile, car cela pourrait engendrer une explosion.

Ne laissez pas une pile dans un environnement ambiant extrêmement chaud, car vous encourez un risque d'explosion ou une fuite de liquide ou de gaz inflammable.

N'exposez pas une pile à des pressions atmosphériques extrêmement basses, car vous encourez un risque d'explosion ou une fuite de liquide ou de gaz inflammable.

Éliminez les piles usées conformément aux instructions.



Précautions

Prévention des incendies

Aucune source de flamme nue, telle que des bougies allumées, ne doit être placée sur l'équipement.

Le port série de l'équipement est utilisé uniquement à des fins de débogage.

Surface chaude

ATTENTION : Composants chauds ! La manipulation des pièces risque de brûler les doigts.



Cet autocollant indique que l'élément marqué peut être chaud et qu'il doit être manipulé avec précaution.

Attendez une demi-heure après l'arrêt de l'appareil avant de manipuler les pièces.

La présence de cet autocollant sur un appareil indique qu'il doit être installé dans une zone dont l'accès est restreint. L'accès est réservé au personnel de service ou aux utilisateurs ayant été formés sur les raisons des restrictions appliquées à cette zone et sur toutes les précautions à prendre.

Installation

Installez l'équipement conformément aux instructions de ce manuel.

Afin d'éviter tout accident, cet appareil doit être correctement attaché au plafond/mur conformément aux instructions d'installation.

Assurez-vous qu'il y a assez d'espace pour l'installation de l'appareil et de ses accessoires.

Assurez-vous que le mur est suffisamment solide pour supporter au moins huit fois le poids de l'appareil et de son support.

S'assurer que l'alimentation est coupée avant de procéder au câblage, à l'installation ou au démontage de l'appareil.

Transport

Gardez l'appareil dans son emballage d'origine ou dans un emballage similaire lors de son transport.

Ne pas faire tomber le produit ou le soumettre à un choc physique.

Alimentation électrique

La source d'alimentation doit répondre aux exigences AE2 ou relatives à une source d'alimentation limitée conformément à la norme CEI 60950-1 ou CEI 62368-1.

Reportez-vous à l'étiquette de l'appareil pour connaître les caractéristiques de l'alimentation électrique. Assurez-vous que les caractéristiques de votre alimentation électrique correspondent à celles de votre appareil.

Utilisez un adaptateur d'alimentation fourni par un fabricant qualifié. Il est recommandé de prévoir un adaptateur d'alimentation indépendant pour chaque appareil, car toute surcharge peut entraîner un risque de surchauffe voire d'incendie.

Sécurité du système

Vous êtes responsable de la configuration de tous les mots de passe et d'autres paramètres de sécurité concernant l'appareil. Gardez votre nom d'utilisateur et votre mot de passe en sécurité.

Maintenance

Si le produit ne fonctionne pas correctement, contactez votre revendeur ou le centre de service le plus proche. Nous n'assumerons aucune responsabilité concernant les problèmes causés par une réparation ou une opération de maintenance non autorisée.

Certains composants de l'appareil (p. ex., condensateur électrolytique) doivent être remplacés régulièrement. Leur durée de vie moyenne est variable, c'est pourquoi des contrôles périodiques sont recommandés. Veuillez contacter votre distributeur pour plus d'informations.

Nettoyage

Veuillez nettoyer les parois internes et externes à l'aide d'un chiffon doux et sec. N'utilisez pas de détergent alcalin.

Environnement d'exploitation

Pendant l'utilisation de tout équipement générant un laser, veillez à ce que l'objectif de l'appareil ne soit pas exposé au faisceau laser, car il pourrait brûler.

N'orientez pas l'objectif vers le soleil ou toute autre source de lumière vive.

Pour éviter l'accumulation de chaleur, une bonne aération est requise afin de fournir au produit un environnement de fonctionnement adéquat.

N'exposez PAS l'appareil à des environnements extrêmement chauds, froids, poussiéreux, corrosifs, salins-alcalins ou humides.

Pour les appareils extérieurs, la température de fonctionnement doit être comprise entre -30 °C et 65 °C (-22 °F et 149 °F) et le taux d'humidité de fonctionnement doit être inférieur à 90 %. Pour les appareils intérieurs, la température de fonctionnement doit être comprise entre -10 °C et 50 °C (-14 °F et 122 °F) et le taux d'humidité de fonctionnement doit être inférieur à 90 %.

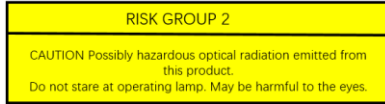
N'exposez PAS l'appareil à de puissants rayonnements électromagnétiques.

Bloc d'éclairage

Assurez-vous qu'aucune surface réfléchissante ne se trouve à proximité de l'objectif de l'appareil. La

lumière de l'appareil peut se réfléchir dans l'objectif et entraîner des problèmes de réflexion.

Le faisceau lumineux est classé à une distance de 200 mm dans le groupe de risque 2 (RG2) en matière de risque de lumière bleue pour la rétine et, à une distance de 250 mm, est classé dans le groupe de risque 1 (RG1). La distance minimale de sécurité est d'environ 1,7 m de l'appareil.



Ce produit est susceptible d'émettre des rayonnements optiques dangereux. IR émis par ce produit. NE regardez PAS la source lumineuse lorsqu'elle est allumée. Elle peut être nocive pour les yeux.

Si vous ne disposez pas d'un blindage ou d'une protection oculaire appropriés, n'activez la lumière qu'à une distance sûre ou dans la zone qui n'est pas directement exposée à la lumière.

Lors de l'assemblage, de l'installation ou de l'entretien de l'appareil, N'allumez PAS la lumière et ne portez pas de lunettes de protection.

Appareil équipé de laser

Seuls les professionnels peuvent utiliser l'appareil avec le module laser.

NE regardez PAS la source lumineuse lorsqu'elle est allumée. Elle peut être nocive pour les yeux.

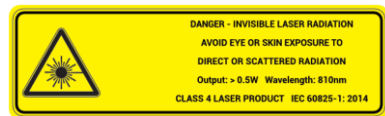
Si vous ne disposez pas d'un blindage ou d'une protection oculaire appropriés, n'activez la lumière qu'à une distance sûre ou dans la zone qui n'est pas directement exposée à la lumière.

La longueur d'onde de référence pour la protection oculaire doit couvrir la longueur d'onde maximale du laser. La valeur de la densité optique doit être également supérieure à OD4+.

Lors de l'assemblage, de l'installation ou de l'entretien de l'appareil, N'allumez PAS la lumière et ne portez pas de lunettes de protection.

Avertissement : cet autocollant indique que le rayonnement laser émis par l'appareil peut provoquer des blessures aux yeux, des brûlures de la peau ou générer des substances inflammables. Avant d'activer la fonction de complément de lumière, assurez-vous qu'aucune personne ni aucune substance inflammable ne se trouvent devant l'objectif du laser. Ne placez pas l'appareil à un endroit où des personnes mineures peuvent y accéder.

Informations sur les lasers de classe 4



Longueur d'onde : 810 nm

Divergence minimale du faisceau : 5° ±0,5°

Divergence maximale du faisceau : 12° ±5°

Puissance maximale : 500 mW

Distance oculaire critique nominale (NOHD) : 7 m

Urgence

Si de la fumée, des odeurs ou du bruit s'échappent de l'appareil, mettez immédiatement l'appareil hors tension et débranchez le câble d'alimentation, puis contactez un centre de réparation.

Synchronisation de l'heure

Si l'heure locale de l'appareil n'est pas synchronisée

avec celle du réseau, configurez-la manuellement lors du premier accès. Accédez à l'appareil à l'aide d'un navigateur Internet/logiciel client, puis rendez-vous dans l'interface des réglages de l'heure.

Deutsch



Das Erscheinungsbild des Produkts dient nur als Referenz und kann vom tatsächlichen Produkt abweichen.

Schnittstelle (Seite 8)

- ① Alarm und Audio-Schnittstelle
- ② Netzwerkanschluss
- ③ RS-485
- ④ Strom
- ⑤ Optische Glasfaserschnittstelle
- ⑥ Laser

Hinweise zu diesem Dokument

- Dieses Dokument enthält Anweisungen für den Gebrauch und die Verwaltung des Produkts. Bilder, Diagramme, Abbildungen und alle sonstigen Informationen dienen nur der Beschreibung und Erklärung.
- Die in diesem Dokument enthaltenen Informationen können aufgrund von Firmware-Updates oder aus anderen Gründen ohne vorherige Ankündigung geändert werden. Die aktuellste Version des Dokuments finden Sie auf der Hikvision Website (<https://www.hikvision.com>). Soweit nicht anders vereinbart, übernimmt Hangzhou Hikvision Digital Technology Co., Ltd. oder seine Tochtergesellschaften (im Folgenden „Hikvision“ genannt) keine ausdrückliche oder stillschweigende Garantie.
- Bitte verwenden Sie dieses Dokument unter Anleitung und Unterstützung von Fachleuten, die für den Support des Produkts geschult sind.

Über dieses Produkt

Dieses Produkt kann nur in dem Land oder der Region, in dem/der es gekauft wurde, vom Kundendienst betreut werden.

Anerkennung von Rechten an geistigem Eigentum

- Hikvision ist Inhaber der Urheberrechte und/oder Patente, die sich auf die Technologie beziehen, die in den in diesem Dokument beschriebenen Produkten verkörpert ist, wozu auch Lizenzen gehören können, die von Dritten erworben wurden.
- Jeder Teil des Dokuments, darunter Texte, Bilder, Grafiken usw., ist Eigentum von Hikvision. Kein Teil dieses Dokuments darf ohne schriftliche Genehmigung ganz oder auszugsweise kopiert, übersetzt oder verändert werden.
- **HIKVISION** und andere Marken sowie Logos von Hikvision sind das Eigentum von Hikvision in verschiedenen Ländern.
- Andere hier erwähnte Marken und Logos sind Eigentum ihrer jeweiligen Inhaber.

HAFUNGSAUSSCHLUSS

- DIESES DOKUMENT UND DAS BESCHRIEBENE PRODUKT MIT SEINER HARDWARE, SOFTWARE

UND FIRMWARE WERDEN, SOWEIT GESETZLICH ZULÄSSIG, IN DER „VORLIEGENDEN FORM“ UND MIT „ALLEN FEHLERN UND IRRTÜMERN“ BEREITGESTELLT. HIKVISION ÜBERNIMMT KEINE AUSDRÜCKLICHEN ODER STILLSCHWEIGENDEN GARANTIE, EINSCHLIESSLICH, ABER NICHT BESCHRÄNKT AUF DIE MARKTGÄNGIGKEIT, ZUFRIEDENSTELLENDEN QUALITÄT ODER EIGNUNG FÜR EINEN BESTIMMTEN ZWECK. DIE NUTZUNG DES PRODUKTS DURCH SIE ERFOLGT AUF IHRE EIGENE GEFAHR. IN KEINEM FALL IST HIKVISION IHNEN GEGENÜBER HAFTBAR FÜR BESONDERE, ZUFÄLLIGE, DIREKTE ODER INDIREKTE SCHÄDEN, EINSCHLIESSLICH, JEDOCH NICHT DARAUf BESCHRÄNKt, VERLUST VON GESCHÄFTSGEWINNEN, GESCHÄFTSUNTERBRECHUNG, DATENVERLUST, SYSTEMBESCHÄDIGUNG, VERLUST VON DOKUMENTATIONEN, SEI ES AUFGRUND VON VERTRAGSBRUCH, UNERLAUBTER HANDLUNG (EINSCHLIESSLICH FAHRLÄSSIGKEIT), PRODUKTHAFTUNG ODER ANDERWEITIG, IN VERBINDUNG MIT DER VERWENDUNG DIESES PRODUKTS, SELBST WENN HIKVISION ÜBER DIE MÖGLICHKEIT DERARTIGER SCHÄDEN ODER VERLUSTE INFORMIERT WAR.

- SIE ERKENNEN AN, DASS DIE NATUR DES INTERNETS DAMIT VERBUNDENE SICHERHEITSRISIKEN BEINHÄLTET. HIKVISION ÜBERNIMMT KEINE VERANTWORTUNG FÜR ANORMALEN BETRIEB, DATENVERLUST ODER ANDERE SCHÄDEN, DIE SICH AUS CYBERANGRIFFEN, HACKERANGRIFFEN, VIRUSINFESTION ODER ANDEREN SICHERHEITSRISIKEN IM INTERNET ERGEBEN. HIKVISION LEISTET JEDOCH BEI BEDARF ZEITNAHE TECHNISCHEM SUPPORT.
- SIE STIMMEN ZU, DIESES PRODUKT IN ÜBEREINSTIMMUNG MIT ALLEN GELTENDEN GESETZEN ZU VERWENDEN, UND SIE SIND ALLEIN DAFÜR VERANTWORTLICH, DASS IHRE VERWENDUNG GEGEN KEINE GELTENDEN GESETZE VERSTÖßT. INSBESONDERE SIND SIE DAFÜR VERANTWORTLICH, DIESES PRODUKT SO ZU VERWENDEN, DASS DIE RECHTE DRITTER NICHT VERLETZT WERDEN, EINSCHLIESSLICH, ABER NICHT BESCHRÄNKt AUF VERÖFFENTLICHUNGSRECHTE, DIE RECHTE AN GEISTIGEM EIGENTUM ODER DEN DATENSCHUTZ UND ANDERE PERSÖNLICHKEITSRECHTE. SIE DÜRFEN DIESES PRODUKT NICHT FÜR VERBOTENE ENDANWENDUNGEN VERWENDEN, EINSCHLIESSLICH DER ENTWICKLUNG ODER HERSTELLUNG VON MASSENVERNICHTUNGSWAFFEN, DER ENTWICKLUNG ODER HERSTELLUNG CHEMISCHER ODER BIOLOGISCHER WAFFEN, JEDLICHER AKTIVITÄTEN IM ZUSAMMENHANG MIT EINEM NUKLEAREN SPRENGKÖRPER ODER UNSICHEREN NUKLEAREN BRENNSTOFFKREISLAUF BZW. ZUR UNTERSTÜTZUNG VON MENSCHENRECHTSVERLETZUNGEN.
- BEI WIDERSPRÜCHEN ZWISCHEN DIESEM DOKUMENT UND DEM GELTENDEM RECHT HAT LETZTERES VORRANG.

© Hangzhou Hikvision Digital Technology Co., Ltd.
Alle Rechte vorbehalten.

Behördliche Informationen

Diese Bestimmungen gelten nur für Produkte, die das entsprechende Zeichen oder die entsprechenden Informationen tragen.

Erklärung zur EU-Konformität



Dieses Produkt und - falls zutreffend - auch das mitgelieferte Zubehör sind mit "CE" gekennzeichnet und entsprechen somit den geltenden harmonisierten europäischen Normen, die unter den Richtlinien 2014/30/EU (EMCD) und 2011/65/EU (RoHS) aufgeführt sind.

Hinweis: Die Produkte mit einer Eingangsspannung von 50 - 1000 VAC oder 75 - 1500 VDC entsprechen der Richtlinie 2014/35/EU (NSR). Die übrigen Produkte entsprechen der Richtlinie 2001/95/EG (GPSD). Prüfen Sie bitte die entsprechenden Angaben zur Stromversorgung.

Der vollständige Text der EU-Konformitätserklärung ist unter der folgenden URL-Adresse einsehbar: <https://www.hikvision.com/en/support/compliance/declaration-of-conformity>.

Warnung: Dies ist ein Produkt der Klasse A. In einer Wohnumgebung kann dieses Produkt Funkstörungen verursachen, die möglicherweise vom Benutzer durch geeignete Maßnahmen zu beseitigen sind.



Richtlinie 2012/19/EU (WEEE-richtlinie): Produkte, die mit diesem Symbol gekennzeichnet sind, dürfen innerhalb

der Europäischen Union nicht mit dem Hausmüll entsorgt werden. Für korrektes Recycling geben Sie dieses Produkt an Ihren örtlichen Fachhändler zurück oder entsorgen Sie es an einer der Sammelstellen. Weitere Informationen finden Sie unter: www.recyclethis.info.



Richtlinie 2006/66/EC und ihre Änderung 2013/56/EU (Akkurichtlinie): Dieses Produkt enthält einen Akku, der

innerhalb der Europäischen Union nicht mit dem Hausmüll entsorgt werden darf. Siehe Produktdokumentation für spezifische Hinweise zu Akku oder Batterien. Der Akku ist mit diesem Symbol gekennzeichnet, das zusätzlich die Buchstaben Cd für Cadmium, Pb für Blei oder Hg für Quecksilber enthalten kann. Für korrektes Recycling geben Sie die Akkus/Batterien an Ihren örtlichen Fachhändler zurück oder entsorgen Sie sie an einer der Sammelstellen. Weitere Informationen finden Sie unter: www.recyclethis.info.

Sicherheitshinweis



Warnung

Gesetze und Vorschriften

Das Gerät muss in Übereinstimmung mit lokalen Gesetzen, Vorschriften zur elektrischen Sicherheit und Brandschutzvorschriften verwendet werden.

Elektrische Sicherheit

ACHTUNG: Um die Feuergefahr zu verringern, ersetzen Sie Sicherungen nur durch Sicherungen des gleichen Typs und der gleichen Leistung. Dieses Gerät muss mit einer USV installiert werden, um das Risiko eines Neustarts zu vermeiden.

Akku

Das Gerät ist nicht für den Einsatz an Orten geeignet, an denen sich wahrscheinlich Kinder aufhalten.

ACHTUNG: Bei Austausch der Batterie durch einen falschen Typ besteht Explosionsgefahr.

Unsachgemäßer Austausch des Akkus durch einen falschen Typ kann eine Schutzvorrichtung umgehen (z. B. bei einigen Lithium-Batterietypen).

Batterien nicht durch Verbrennen, in einem heißen Ofen oder Zerkleinern oder Zerschneiden entsorgen. Das kann zu einer Explosion führen.

Bewahren Sie Batterien nicht in einer Umgebung mit extrem hoher Temperatur auf. Das kann zu einer Explosion oder zum Auslaufen von entflammbarer Flüssigkeit oder Gas führen.

Setzen Sie Batterien keinem extrem niedrigen Luftdruck aus. Das kann zu einer Explosion oder zum Auslaufen von entflammbarer Flüssigkeit oder Gas führen.

Entsorgen Sie die verbrauchten Batterien gemäß den Anweisungen.



Achtung

Brandschutz

Stellen Sie keine offenen Flammen (wie brennende Kerzen) auf dem Gerät ab.

Die serielle Schnittstelle des Geräts wird nur zur Fehlersuche verwendet.

Heiße Oberfläche

ACHTUNG: Heiße Teile! Sie können sich bei Berührung der Teile Verbrennungen zuziehen.



Dieser Aufkleber weist darauf hin, dass der markierte Gegenstand heiß sein kann und nur vorsichtig angefasst werden darf. Warten Sie nach dem Ausschalten eine halbe Stunde, bevor Sie Teile anfassen.

Ein Gerät mit diesem Aufkleber ist für die Installation an Orten mit beschränktem Zugang vorgesehen. Zugang dürfen nur Wartungspersonal oder Benutzer erhalten, die über die Gründe für die Zugangsbeschränkungen und über die zu treffenden Vorsichtsmaßnahmen informiert wurden.

Installation

Installieren Sie das Gerät gemäß den Anweisungen in diesem Handbuch.

Um Verletzungen zu vermeiden, muss dieses Gerät gemäß den Installationsanweisungen sicher an der Decke/Wand montiert werden.

Stellen Sie sicher, dass ausreichend Platz für die Installation des Geräts und des Zubehörs vorhanden ist.

Stellen Sie sicher, dass die Wand stark genug ist, um mindestens das achtfache Gewicht von Gerät und Halterung tragen zu können.

Stellen Sie sicher, dass die Stromversorgung unterbrochen wurde, bevor Sie das Gerät verkabeln,

installieren oder demontieren.

Transportwesen

Bewahren Sie das Gerät beim Transport in der ursprünglichen oder einer vergleichbaren Verpackung auf.

Lassen Sie das Produkt nicht fallen und vermeiden Sie heftige Stöße.

Spannungsversorgung

Die Stromquelle muss die Anforderungen an eine Stromquelle mit begrenzter Leistung oder PS2 gemäß der Norm IEC 60950-1 oder IEC 62368-1 erfüllen.

Die Angaben zur standardmäßigen Stromversorgung finden Sie auf dem Geräteetikett. Achten Sie darauf, dass die Stromversorgung mit der Ihres Geräts übereinstimmt.

Verwenden Sie ein von qualifizierten Herstellern mitgeliefertes Netzteil. Es wird empfohlen, für jedes Gerät ein unabhängiges Netzteil vorzusehen, da eine Überlastung des Netzteils zu einer Überhitzung oder Brandgefahr führen kann.

Systemsicherheit

Bitte nehmen Sie zur Kenntnis, dass Sie die Verantwortung dafür tragen, alle Passwörter und andere Sicherheitseinstellungen für das Gerät zu konfigurieren und Ihren Benutzernamen und Ihr Passwort aufzubewahren.

Wartung

Falls das Produkt nicht einwandfrei funktionieren sollte, wenden Sie sich an Ihren Händler oder den nächstgelegenen Kundendienst. Wir übernehmen keine Haftung für Probleme, die durch nicht Reparatur- oder Instandhaltungsarbeiten von nicht autorisierten Dritten verursacht werden.

Einige Gerätekomponenten (z. B. Elektrolytkondensator) müssen regelmäßig ausgetauscht werden. Die durchschnittliche Lebensdauer variiert, weshalb eine regelmäßige Prüfung empfohlen wird. Einzelheiten erfahren Sie von Ihrem Händler.

Reinigung

Bitte verwenden Sie ein weiches und trockenes Tuch zur Reinigung der Innen- und Außenflächen. Verwenden Sie keine alkalischen Reinigungsmittel.

Einsatzumgebung

Achten Sie bei Verwendung eines Lasergeräts darauf, dass das Objektiv des Geräts nicht dem Laserstrahl ausgesetzt wird. Andernfalls könnte es durchbrennen.

Richten Sie das Objektiv nicht auf die Sonne oder eine andere helle Lichtquelle.

Zur Vermeidung eines Hitzestaus sollte in der Betriebsumgebung eine gute Lüftung gewährleistet sein.

Setzen Sie das Gerät NICHT extrem heißen, kalten, staubigen, korrosiven, salzhaltigen, alkalischen oder feuchten Umgebungen aus.

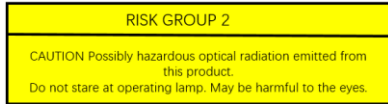
Bei Geräten für den Außenbereich muss die Betriebstemperatur bei $-30\text{ }^{\circ}\text{C}$ bis $+65\text{ }^{\circ}\text{C}$ und die Betriebsluftfeuchtigkeit unter 90 % liegen. Bei Geräten für den Innenbereich muss die Betriebstemperatur bei $-10\text{ }^{\circ}\text{C}$ bis $+50\text{ }^{\circ}\text{C}$ und die Betriebsluftfeuchtigkeit unter 90 % liegen.

Setzen Sie das Gerät KEINER hohen elektromagnetischen Strahlung aus.

Beleuchtung

Stellen Sie sicher, dass sich keine reflektierende Oberfläche zu nahe am Geräteobjektiv befindet. Das Licht vom Gerät kann in das Objektiv zurückreflektiert werden und Reflexionen verursachen.

Der Lichtstrahl in 200 mm Entfernung wird als Risikogruppe 2 (RG2) für die Gefährdung der Netzhaut durch blaues Licht eingestuft, und in 250 mm Entfernung als Risikogruppe 1 (RG1). Der Mindestsicherheitsabstand liegt bei ca. 1,7 m Entfernung vom Gerät.



Es wird möglicherweise gefährliche optische Strahlung von diesem Produkt emittiert. Von diesem Produkt abgestrahltes IR-Licht. Schauen Sie während des Betriebs NICHT in die Lichtquelle. Das kann schädlich für die Augen sein.

Wenn keine angemessene Abschirmung bzw. kein angemessener Augenschutz verfügbar ist, schalten Sie das Licht nur in einer sicheren Entfernung oder in einem nicht direkt dem Licht ausgesetzten Bereich ein.

Schalten Sie bei Montage, Installation oder Wartung des Geräts NICHT das Licht ein, oder tragen Sie einen Augenschutz.

Für Geräte mit Laser

Nur Fachleute dürfen das Gerät mit Lasermodul bedienen. Schauen Sie während des Betriebs NICHT in die Lichtquelle. Das kann schädlich für die Augen sein.

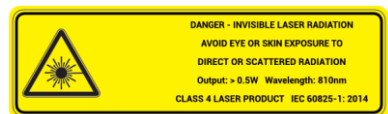
Wenn keine angemessene Abschirmung bzw. kein angemessener Augenschutz verfügbar ist, schalten Sie das Licht nur in einer sicheren Entfernung oder in einem nicht direkt dem Licht ausgesetzten Bereich ein.

Die Arbeitswellenlänge des Augenschutzes sollte die Spitzenwellenlänge des Lasers decken, wobei der Wert der optischen Dichte größer als OD+4 sein sollte.

Schalten Sie bei Montage, Installation oder Wartung des Geräts NICHT das Licht ein, oder tragen Sie einen Augenschutz.

Warnung: Dieser Aufkleber soll darauf hinweisen, dass die vom Gerät abgegebene Laserstrahlung Augenverletzungen oder Hautverbrennungen verursachen und brennbare Stoffe entzünden kann. Bevor Sie die Funktion Zusätzlich aktivieren, vergewissern Sie sich, dass sich weder Personen noch brennbare Substanzen vor der Laserlinse befinden. Stellen Sie das Gerät nicht so auf, dass es von Kindern erreicht werden kann.

Hinweise zum Laser der Klasse 4



Wellenlänge: 810 nm

Min. Strahldivergenz: $5^{\circ}\pm 0.5^{\circ}$

Max. Strahldivergenz: $12^{\circ}\pm 5^{\circ}$

Max. Leistung: 500 mW

Nominaler Gefahrenabstand für das Auge (NOHD): 7 m

Notruf

Sollten sich Rauch, Gerüche oder Geräusche in dem Gerät entwickeln, so schalten Sie es unverzüglich aus und ziehen Sie den Netzstecker. Wenden Sie sich

dann an den Kundendienst.

Zeitsynchronisation

Stellen Sie die Gerätezeit beim erstmaligen Gebrauch manuell ein, wenn die lokale Zeit nicht mit der des Netzwerks synchronisiert ist. Rufen Sie das Gerät über einen Webbrowser/Client-Software auf und gehen Sie zum Fenster für Zeiteinstellungen.

Español



La apariencia del producto es solo una referencia y puede diferir de la apariencia real del producto.

Interfaz (página 8)

- ① Conexión de alarma y audio
- ② Interfaz de red
- ③ RS-485
- ④ Alimentación
- ⑤ Interfaz de fibra óptica
- ⑥ Láser

Sobre este documento

- Este manual incluye las instrucciones de uso y mantenimiento del producto. Las figuras, gráficos, imágenes y cualquier otra información que encontrará en lo sucesivo tienen únicamente fines descriptivos y aclaratorios.
- La información incluida en el documento está sujeta a cambios sin previo aviso, como consecuencia de las actualizaciones de software u otros motivos. La última versión de este manual se encuentra en el sitio web de Hikvision (<https://www.hikvision.com>). A menos que se acuerde lo contrario, Hangzhou Hikvision Digital Technology Co., Ltd. o sus socios (en adelante «Hikvision») no ofrece ninguna garantía, expresa o implícita.
- Utilice el manual con la guía y asistencia de profesionales capacitados en el soporte del producto.

Acerca de este producto

Este producto solo disfruta del servicio postventa en el país o la región donde se haya realizado la compra.

Reconocimiento de derechos de propiedad intelectual

- Hikvision posee los derechos de autor y las patentes relacionadas con la tecnología incorporada en los productos descritos en este documento, que pueden incluir licencias obtenidas de terceras partes.
- Todas las partes del manual, incluido el texto, las imágenes, los gráficos, etc., pertenecen a Hikvision. No se puede extraer, copiar, traducir ni modificar ninguna parte de este manual en modo alguno sin permiso previo por escrito, tampoco en su totalidad.
- **HIKVISION** y otras marcas comerciales y logotipos de Hikvision son propiedad de Hikvision en diferentes jurisdicciones.
- Las demás marcas comerciales y logotipos mencionados son propiedad de sus respectivos dueños.

AVISOS LEGALES

- EN LA MEDIDA MÁXIMA PERMITIDA POR LAS LEYES APLICABLES, ESTE DOCUMENTO Y EL PRODUCTO DESCRITO —INCLUIDOS SU HARDWARE, SOFTWARE Y FIRMWARE— SE SUMINISTRAN «TAL CUAL» Y «CON TODOS SU FALLOS Y ERRORES». HIKVISION NO OFRECE GARANTÍAS, EXPLÍCITAS O IMPLÍCITAS, INCLUIDAS, A MODO ENUNCIATIVO, COMERCIALIZACIÓN, CALIDAD SATISFACTORIA O IDONEIDAD PARA UN PROPÓSITO EN PARTICULAR. EL USO QUE HAGA DEL PRODUCTO CORRE BAJO SU ÚNICO RIESGO. EN NINGÚN CASO HIKVISION PODRÁ CONSIDERARSE RESPONSABLE ANTE USTED DE NINGÚN DAÑO ESPECIAL, CONSECUENTE, INCIDENTAL O INDIRECTO, INCLUYENDO, ENTRE OTROS, DAÑOS POR PÉRDIDAS DE BENEFICIOS COMERCIALES, INTERRUPCIÓN DE LA ACTIVIDAD COMERCIAL, PÉRDIDA DE DATOS, CORRUPCIÓN DE LOS SISTEMAS O PÉRDIDA DE DOCUMENTACIÓN, YA SEA POR INCUMPLIMIENTO DEL CONTRATO, AGRAVIO (INCLUYENDO NEGLIGENCIA), RESPONSABILIDAD DEL PRODUCTO O EN RELACIÓN CON EL USO DEL PRODUCTO, INCLUSO CUANDO HIKVISION HAYA RECIBIDO UNA NOTIFICACIÓN DE LA POSIBILIDAD DE DICHOS DAÑOS O PÉRDIDAS.
 - USTED RECONOCE QUE LA NATURALEZA DE INTERNET IMPLICA RIESGOS DE SEGURIDAD INHERENTES Y HIKVISION NO TENDRÁ NINGUNA RESPONSABILIDAD POR EL FUNCIONAMIENTO ANORMAL, FILTRACIONES DE PRIVACIDAD U OTROS DAÑOS RESULTANTES DE ATAQUES CIBERNÉTICOS, ATAQUES DE HACKERS, INFECCIONES DE VIRUS U OTROS RIESGOS DE SEGURIDAD DE INTERNET; SIN EMBARGO, HIKVISION PROPORCIONARÁ APOYO TÉCNICO OPORTUNO DE SER NECESARIO.
 - USTED ACEPTA USAR ESTE PRODUCTO DE CONFORMIDAD CON TODAS LAS LEYES APLICABLES Y SOLO USTED ES EL ÚNICO RESPONSABLE DE ASEGURAR QUE EL USO CUMPLA CON DICHAS LEYES. EN ESPECIAL, USTED ES RESPONSABLE DE USAR ESTE PRODUCTO DE FORMA QUE NO INFRINJA LOS DERECHOS DE TERCEROS, INCLUYENDO, A MODO ENUNCIATIVO, DERECHOS DE PUBLICIDAD, DERECHOS DE PROPIEDAD INTELECTUAL, DERECHOS RELATIVOS A LA PROTECCIÓN DE DATOS Y OTROS DERECHOS RELATIVOS A LA PRIVACIDAD. NO UTILIZARÁ ESTE PRODUCTO PARA NINGÚN USO FINAL PROHIBIDO, INCLUYENDO EL DESARROLLO O LA PRODUCCIÓN DE ARMAS DE DESTRUCCIÓN MASIVA, EL DESARROLLO O PRODUCCIÓN DE ARMAS QUÍMICAS O BIOLÓGICAS, NINGUNA ACTIVIDAD EN EL CONTEXTO RELACIONADO CON ALGÚN EXPLOSIVO NUCLEAR O EL CICLO DE COMBUSTIBLE NUCLEAR INSEGURO O EN APOYO DE ABUSOS DE LOS DERECHOS HUMANOS.
 - EN CASO DE HABER CONFLICTO ENTRE ESTE DOCUMENTO Y LA LEGISLACIÓN VIGENTE, ESTA ÚLTIMA PREVALECE.
- © Hangzhou Hikvision Digital Technology Co., Ltd.
Todos los derechos reservados.

Información normativa

Estas cláusulas solo se aplican a los productos que lleven la marca o la información correspondiente.

Declaración de cumplimiento de la UE



Este producto y, cuando corresponda, los accesorios incluidos también tienen la marca "CE" y por tanto cumplen los estándares europeos armonizados enumerados bajo la directiva 2014/30/UE (CEM) y la directiva 2011/65/UE (RoHS).

Nota: Los productos con una tensión de entrada de 50 a 1000 VCA o de 75 a 1500 VCC cumplen con la directiva 2014/35/UE (LVD), y el resto de productos cumplen con la directiva 2001/95/CE (GPSD). Consulte la información de alimentación eléctrica específica como referencia.

El texto completo de la declaración UE de conformidad está disponible en la siguiente dirección de internet:

<https://www.hikvision.com/en/support/compliance/declaration-of-conformity>.

Advertencia: Este es un producto de clase A. En un entorno doméstico este producto puede ocasionar interferencias de radio, en cuyo caso es posible que sea el usuario el responsable de adoptar las medidas adecuadas.



Directiva 2012/19/UE (directiva RAEE): En la Unión Europea, los productos marcados con este símbolo no pueden

ser desechados en el sistema de basura municipal sin recogida selectiva. Para un reciclaje adecuado, entregue este producto en el lugar de compra del equipo nuevo equivalente o deshágase de él en el punto de recogida designado a tal efecto. Para obtener más información, consulte: www.recyclethis.info.



Directiva 2006/66/CE y su enmienda 2013/56/UE (directiva sobre baterías):

Este producto lleva una batería que no puede ser desechada en el sistema municipal de basuras sin recogida selectiva dentro de la Unión Europea. Consulte la documentación del producto para ver la información específica de la batería. La batería lleva marcado este símbolo, que incluye unas letras indicando si contiene cadmio (Cd), plomo (Pb), o mercurio (Hg). Para un reciclaje adecuado, entregue la batería a su vendedor o llévela al punto de recogida de basuras designado a tal efecto. Para obtener más información, consulte: www.recyclethis.info.

Instrucciones de seguridad



Advertencias

Leyes y normativas

El dispositivo debe ser utilizado cumpliendo con la legislación local y las normativas de seguridad eléctrica y prevención de incendios.

Seguridad eléctrica

PRECAUCIÓN: Para reducir el riesgo de incendio, reemplace el fusible por otro del mismo tipo y

clasificación.

Este equipo tiene que instalarse con un sistema de alimentación ininterrumpida (SAI) incorporado para evitar el riesgo de reinicio.

Batería

Este equipo no es adecuado para utilizarlo en lugares donde pueda haber niños.

PRECAUCIÓN: Riesgo de explosión si se reemplaza la batería por otra de tipo incorrecto.

Una sustitución inadecuada de la batería por otra de tipo incorrecto podría inhabilitar alguna medida de protección (por ejemplo, en el caso de algunas baterías de litio).

No arroje la batería al fuego ni la meta en un horno caliente, ni intente aplastar o cortar mecánicamente la batería, ya que podría explotar.

No deje la batería en lugares con temperaturas extremadamente altas, ya que podría explotar o tener fugas de líquido electrolítico o gas inflamable.

No permita que la batería quede expuesta a una presión de aire extremadamente baja, ya que podría explotar o tener fugas de líquido electrolítico o gas inflamable.

Deshágase de las baterías usadas conforme a las instrucciones.



Precauciones

Prevención de incendios

No coloque llamas abiertas, como velas encendidas, sobre el equipo.

El puerto serie del equipo se utiliza únicamente con fines de depuración.

Superficie caliente

PRECAUCIÓN: ¡Elementos calientes! Puede quemarse los dedos al manipular esas partes.



Esta pegatina está para indicar que el elemento marcado puede estar caliente y no debe tocarse sin tener cuidado.

Espere media hora después de apagar el equipo antes de tocar las partes.

Los dispositivos con esta etiqueta han sido diseñados para instalarlos en una ubicación de acceso restringido. El acceso solo está permitido al personal de servicio o a los usuarios permitidos de las razones por las que la ubicación está restringida y que conocen las precauciones que se deben tener en cuenta.

Instalación

Instale el equipo de acuerdo con las instrucciones de este manual.

Con el fin de evitar lesiones, este equipo se debe sujetar firmemente al techo o a una pared de conformidad con las instrucciones de instalación.

Asegúrese de que hay suficiente espacio para instalar el dispositivo y los accesorios.

Asegúrese de que la pared o el techo sean lo suficientemente resistentes para soportar 8 veces el peso del dispositivo y el soporte de montaje.

Asegúrese de que se ha cortado la alimentación eléctrica antes de conectar, instalar o desmontar el dispositivo.

Transporte

Guarde el dispositivo en su paquete original o en uno similar cuando lo transporte.

No deje caer el producto ni lo someta a impactos físicos.

Fuente de alimentación

La fuente de alimentación debe cumplir con los requisitos de fuente de alimentación limitada o PS2 conforme a las normas IEC 60950-1 o IEC 62368-1.

Consulte la etiqueta del dispositivo para conocer la fuente de alimentación normalizada. Compruebe que la fuente de alimentación sea compatible con el dispositivo.

Utilice un adaptador de corriente provisto por un fabricante autorizado. Se recomienda utilizar un adaptador eléctrico independiente para cada dispositivo, ya que una sobrecarga del adaptador puede entrañar un riesgo de sobrecalentamiento o incendio.

Seguridad del sistema

Recuerde que es su responsabilidad instalar las contraseñas y las demás configuraciones de seguridad del dispositivo. Proteja su nombre de usuario y contraseña.

Mantenimiento

Si el producto no funciona correctamente, por favor, póngase en contacto con su distribuidor o con el centro de servicio técnico más próximo. No nos haremos responsables de los problemas derivados de una reparación o mantenimiento no autorizados.

Algunos componentes del dispositivo (p. ej.: el condensador electrolítico) necesita una sustitución periódica. La vida útil promedio puede variar, por lo que se recomienda una revisión periódica. Contacte con su vendedor para más detalles.

Limpieza

Utilice un paño suave y seco para limpiar las superficies interiores y exteriores. No utilice detergentes alcalinos.

Entorno de uso

Cuando utilice equipos láser, asegúrese de que el objetivo del dispositivo no quede expuesto al rayo láser ya que podría quemarse.

No oriente la lente hacia el sol ni a otras luces brillantes.

Una buena ventilación es necesaria a fin de evitar el sobrecalentamiento y poder garantizar un apropiado entorno de funcionamiento.

NO exponga el dispositivo a entornos excesivamente cálidos, fríos, con polvo, corrosivos, salinos-alcalinos o húmedos.

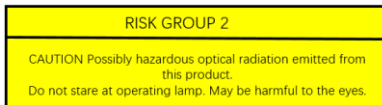
En dispositivos de exterior, la temperatura debe ser de $-30\text{ }^{\circ}\text{C}$ a $65\text{ }^{\circ}\text{C}$ ($-22\text{ }^{\circ}\text{F}$ a $149\text{ }^{\circ}\text{F}$) y la humedad de funcionamiento debe ser inferior al 90 %. En dispositivos de interior, la temperatura debe ser de $-10\text{ }^{\circ}\text{C}$ a $50\text{ }^{\circ}\text{C}$ ($-14\text{ }^{\circ}\text{F}$ a $122\text{ }^{\circ}\text{F}$) y la humedad de funcionamiento debe ser inferior al 90 %.

NO exponga el dispositivo a radiaciones electromagnéticas intensas.

Iluminador

Asegúrese de que ninguna superficie reflectante esté demasiado cerca de la lente del dispositivo. La luz del dispositivo puede reflejarse y regresar a la lente, causando reflexión.

Los haces de luz a una distancia de 200 mm se clasifican en el grupo de riesgo 2 (GR2) de peligro de luz azul para la retina, y a una distancia de 250 mm se clasifican en el grupo de riesgo 1 (GR1). La distancia mínima de seguridad es de aproximadamente 1,7 m respecto al dispositivo.



Este equipo puede emitir radiaciones ópticas peligrosas. Este dispositivo emite infrarrojos. NO mire directamente a la fuente de luz en funcionamiento. Podría dañar sus ojos.

Si no cuenta con un equipo de protección visual adecuado, encienda la luz únicamente a una distancia segura o en un área que no esté directamente expuesta a la luz.

Cuando vaya a ensamblar, instalar o realizar el mantenimiento del dispositivo, NO encienda la luz o utilice protección visual.

Para dispositivos con láser

Solo profesionales deben manipular el dispositivo con el módulo láser.

NO mire directamente a la fuente de luz en funcionamiento. Podría dañar sus ojos.

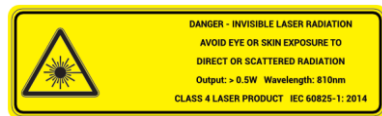
Si no cuenta con un equipo de protección visual adecuado, encienda la luz únicamente a una distancia segura o en un área que no esté directamente expuesta a la luz.

La longitud de onda activa de protección ocular debe cubrir la longitud de onda pico del láser, y el valor de densidad óptica debe ser superior a OD4+.

Cuando vaya a ensamblar, instalar o realizar el mantenimiento del dispositivo, NO encienda la luz o utilice protección visual.

Advertencia: El objetivo de esta etiqueta es indicar que la radiación láser emitida por el dispositivo puede causar lesiones oculares, quemaduras cutáneas o hacer arder sustancias inflamables. Antes de activar la función de luz suplementaria, compruebe que no haya personas ni sustancias inflamables frente al objetivo láser. No coloque el dispositivo al alcance de menores.

Información de clase de láser 4



Longitud de onda: 810 nm

Divergencia de haz mín.: $5^{\circ}\pm 0,5^{\circ}$

Divergencia de haz máx.: $12^{\circ}\pm 5^{\circ}$

Rendimiento máx.: 500 mW

NOHD (distancia nominal de riesgo ocular): 7 m

Emergencia

Si hay presencia de humo, olores o ruidos procedentes del dispositivo, apague la alimentación inmediatamente, desenchufe el cable de alimentación y contacte con el servicio técnico.

Sincronización de hora

En el caso de que la hora local no esté sincronizada con la hora de la red, ajuste la hora manualmente la primera vez que acceda. Acceda al dispositivo usando el navegador web/software cliente y entre en la interfaz de ajuste de la hora.



L'immagine del prodotto serve solo come riferimento e potrebbe differire dal prodotto effettivo.

Interfaccia (pagina 8)

- ① Interfaccia allarme e audio
- ② Interfaccia di rete
- ③ RS-485
- ④ Alimentazione
- ⑤ Interfaccia fibra ottica
- ⑥ Laser

Informazioni sul presente documento

- Il presente documento contiene le istruzioni per l'uso e la gestione del prodotto. Le illustrazioni, i grafici e tutte le altre informazioni che seguono hanno solo scopi illustrativi ed esplicativi.
- Le informazioni contenute nel documento sono soggette a modifiche senza preavviso in seguito ad aggiornamenti del firmware o per altri motivi. La versione più recente del documento è scaricabile dal sito web di Hikvision (<https://www.hikvision.com>). Salvo quanto diversamente concordato, Hangzhou Hikvision Digital Technology Co., Ltd. o le sue affiliate (di seguito denominata "Hikvision") non fornisce alcuna garanzia, espressa o implicita.
- Utilizzare il presente documento con la supervisione e l'assistenza di personale qualificato nel supporto del prodotto.

Informazioni sul prodotto

È possibile usufruire dei servizi postvendita per questo prodotto solo nel Paese o area geografica in cui è stato effettuato l'acquisto.

Riconoscimento dei diritti di proprietà intellettuale

- Hikvision è titolare dei copyright e/o dei brevetti relativi alle tecnologie integrate nei prodotti descritti in questo documento, che potrebbero includere licenze ottenute da terzi.
- Tutte le parti che compongono questo documento, compresi i testi, le immagini e le illustrazioni, appartengono a Hikvision. Nessuna parte di questo documento può essere estratta, copiata, tradotta o modificata, per intero o in parte, usando qualsiasi mezzo e senza autorizzazione scritta.
- **HIKVISION** e gli altri marchi commerciali registrati e loghi di Hikvision sono di proprietà di Hikvision nelle varie giurisdizioni.
- Gli altri marchi registrati e loghi menzionati appartengono ai rispettivi proprietari.

ESCLUSIONE DI RESPONSABILITÀ

● NELLA MISURA MASSIMA CONSENTITA DALLA LEGGE VIGENTE, QUESTO DOCUMENTO E IL PRODOTTO DESCRITTO, CON IL RELATIVO HARDWARE, SOFTWARE E FIRMWARE, SONO FORNITI "COSÌ COME SONO" E "CON TUTTI I DIFETTI E GLI ERRORI". HIKVISION NON RILASCIATA ALCUNA GARANZIA, NÉ ESPRESSA NÉ IMPLICITA COME, SOLO A TITOLO DI ESEMPIO, GARANZIE DI COMMERCIALITÀ, QUALITÀ SODDISFACENTE O IDONEITÀ PER UN USO SPECIFICO. L'UTENTE

UTILIZZA IL PRODOTTO A PROPRIO RISCHIO. HIKVISION DECLINA QUALSIASI RESPONSABILITÀ VERSO L'UTENTE IN RELAZIONE A DANNI SPECIALI, CONSEGUENZIALI E INCIDENTALI, COMPRESI, TRA GLI ALTRI, I DANNI DERIVANTI DA MANCATO PROFITTO, INTERRUZIONE DELL'ATTIVITÀ O PERDITA DI DATI, DANNEGGIAMENTO DI SISTEMI O PERDITA DI DOCUMENTAZIONE, DERIVANTI DA INADEMPIENZA CONTRATTUALE, ILLECITO (COMPRESA LA NEGLIGENZA), RESPONSABILITÀ PER DANNI AI PRODOTTI O ALTRIMENTI IN RELAZIONE ALL'USO DEL PRODOTTO, ANCHE QUALORA HIKVISION SIA STATA INFORMATA DELLA POSSIBILITÀ DI TALI DANNI O PERDITE.

- L'UTENTE RICONOSCE CHE LA NATURA DI INTERNET PREVEDE RISCHI DI SICUREZZA INTRINSECI E CHE HIKVISION DECLINA QUALSIASI RESPONSABILITÀ IN RELAZIONE A FUNZIONAMENTI ANOMALI, VIOLAZIONE DELLA RISERVATEZZA O ALTRI DANNI RISULTANTI DA ATTACCHI INFORMATICI, INFEZIONI DA VIRUS O ALTRI RISCHI LEGATI ALLA SICUREZZA SU INTERNET; TUTTAVIA, HIKVISION FORNIRÀ TEMPESTIVO SUPPORTO TECNICO, SE NECESSARIO.
- L'UTENTE ACCETTA DI UTILIZZARE IL PRODOTTO IN CONFORMITÀ A TUTTE LE LEGGI VIGENTI E DI ESSERE IL SOLO RESPONSABILE DI TALE UTILIZZO CONFORME. IN PARTICOLARE, L'UTENTE È RESPONSABILE DEL FATTO CHE L'UTILIZZO DEL PRODOTTO NON VIOLI DIRITTI DI TERZI COME, SOLO A TITOLO DI ESEMPIO, DIRITTI DI PUBBLICITÀ, DIRITTI DI PROPRIETÀ INTELLETTUALE O DIRITTI RELATIVI ALLA PROTEZIONE DEI DATI E ALTRI DIRITTI RIGUARDANTI LA PRIVACY. NON È CONSENTITO UTILIZZARE QUESTO PRODOTTO PER SCOPI PROIBITI, COME, TRA GLI ALTRI, LA PRODUZIONE DI ARMI DI DISTRUZIONE DI MASSA, LO SVILUPPO O LA PRODUZIONE DI ARMI CHIMICHE O BIOLOGICHE, QUALSIASI ATTIVITÀ SVOLTA IN CONTESTI CORRELATI A ESPLOSIVI NUCLEARI O COMBUSTIBILI NUCLEARI NON SICURI O ATTIVITÀ CHE CAUSINO VIOLAZIONI DEI DIRITTI UMANI.
- IN CASO DI CONFLITTI TRA IL PRESENTE DOCUMENTO E LA NORMATIVA VIGENTE, PREVERRÀ QUEST'ULTIMA.

© Hangzhou Hikvision Digital Technology Co., Ltd. Tutti i diritti riservati.

Informazioni sulle norme

Queste clausole si applicano solo ai prodotti recanti il marchio o le informazioni corrispondenti.

Dichiarazione di conformità UE



Il presente prodotto e gli eventuali accessori in dotazione sono contrassegnati con il marchio "CE" e sono quindi conformi alle norme europee armonizzate vigenti di cui alla direttiva 2014/30/UE (CEM) e alla direttiva 2011/65/UE (RoHS).

Nota: I prodotti con una tensione in ingresso compresa tra 50 e 1.000 V CA o tra 75 e 1.500 V CC sono conformi alla direttiva 2014/35/UE (direttiva Bassa Tensione); gli altri prodotti sono conformi alla direttiva 2001/95/CE (relativa alla sicurezza generale dei prodotti). Fare riferimento alle informazioni specifiche sull'alimentazione.

Il testo completo della Dichiarazione di conformità della UE è disponibile alla seguente pagina Internet: <https://www.hikvision.com/en/support/compliance/declaration-of-conformity>.

Avvertenza: il presente prodotto è un dispositivo di Classe A. Il prodotto può causare interferenze radio in ambienti residenziali; in tal caso l'utente dovrà adottare contromisure adeguate.



Direttiva 2012/19/UE (RAEE): i prodotti contrassegnati con il presente simbolo non possono essere smaltiti come rifiuti domestici indifferenziati nell'Unione europea. Per lo smaltimento corretto, restituire il prodotto al rivenditore in occasione dell'acquisto di un nuovo dispositivo o smaltirlo nei punti di raccolta autorizzati. Per ulteriori informazioni, consultare il sito: www.recyclethis.info.



Direttiva 2006/66/CE, modificata dalla direttiva 2013/56/UE (direttiva batterie): questo prodotto contiene una batteria e non è possibile smaltirlo con i rifiuti domestici indifferenziati nell'Unione europea. Consultare la documentazione del prodotto per le informazioni specifiche sulla batteria. La batteria è contrassegnata con il presente simbolo, che potrebbe includere le sigle di cadmio (Cd), piombo (Pb) o mercurio (Hg). Per lo smaltimento corretto, restituire la batteria al rivenditore locale o smaltirla nei punti di raccolta autorizzati. Per ulteriori informazioni, consultare il sito: www.recyclethis.info.

Istruzioni per la sicurezza



Avvertenze

Leggi e regolamenti

Il dispositivo deve essere utilizzato rispettando le leggi locali, le norme sulla sicurezza elettrica e le norme sulla prevenzione degli incendi.

Sicurezza elettrica

ATTENZIONE: Per ridurre il rischio di incendi, sostituire i fusibili solo con altri dello stesso tipo e dello stesso valore nominale.

L'apparecchio dovrà essere installato integrandovi un gruppo di continuità per evitare che il sistema possa riavviarsi.

Batteria

Non utilizzare il dispositivo in ambienti in cui possono essere presenti bambini.

ATTENZIONE: esiste il rischio di esplosione se la batteria viene sostituita con una di tipo non corretto.

La sostituzione della batteria con una di tipo non idoneo può impedire il corretto funzionamento dei sistemi di sicurezza (ad esempio con alcuni tipi di batterie al litio).

Non gettare le batterie nel fuoco o in un forno caldo ed evitare di schiacciarle o tagliarle, per prevenire il rischio di esplosioni.

Le batterie esposte a temperature ambientali

eccessive possono esplodere o perdere liquidi o gas infiammabili.

Le batterie sottoposte a una pressione atmosferica estremamente bassa possono esplodere o perdere liquidi o gas infiammabili.

Smaltire le batterie usate seguendo le istruzioni.



Precauzioni

Prevenzione degli incendi

Non collocare sull'attrezzatura sorgenti di fiamme libere, come candele accese.

La porta seriale del dispositivo serve solo per attività di debugging.

Superficie calda

ATTENZIONE: Elementi caldi! Rischio di ustioni alle dita se si maneggiano questi elementi.



Questo adesivo indica che l'oggetto contrassegnato può essere caldo e non deve essere toccato senza prestare la dovuta attenzione. Attendere mezz'ora dopo lo spegnimento dell'attrezzatura prima di toccare questi elementi.

I dispositivi con questo adesivo sono destinati all'installazione in ambienti ad accesso limitato. L'accesso è consentito solo a personale di servizio o utenti istruiti sui motivi delle limitazioni applicate all'ambiente e sulle eventuali precauzioni da adottare.

Installazione

Installare l'apparecchio attenendosi alle istruzioni nel presente manuale.

Per evitare il rischio di lesioni personali, questa attrezzatura deve essere saldamente fissata al soffitto o alla parete, come indicato nelle istruzioni di installazione.

Controllare che lo spazio sia sufficiente per installare il dispositivo e gli accessori.

Verificare che la parete sia abbastanza resistente da sopportare almeno 8 volte il peso del dispositivo e del supporto.

Controllare che l'alimentazione sia interrotta, prima di cablare, installare o disassemblare il dispositivo.

Trasporto

Per trasportare il dispositivo, riporlo nella confezione originale o in una analoga.

Non lasciar cadere il prodotto e non sottoporlo a impatti.

Alimentazione

La sorgente di alimentazione deve soddisfare i requisiti previsti per le sorgenti di alimentazione limitate o PS2 in conformità alle norme IEC 60950-1 o IEC 62368-1.

Consultare l'etichetta sul dispositivo per quanto riguarda l'alimentazione standard. Verificare che l'alimentazione corrisponda a quella del dispositivo.

Utilizzare un alimentatore fornito da produttori qualificati. Si consiglia di utilizzare un alimentatore indipendente per ciascun dispositivo in quanto un sovraccarico dell'adattatore potrebbe provocare surriscaldamenti o rischi di incendio.

Sicurezza del sistema

L'utente ha la responsabilità di configurare tutte le password e le altre impostazioni di sicurezza relative al dispositivo e di conservare nome utente e password in modo sicuro.

Manutenzione

Se il prodotto non funziona correttamente, rivolgersi al rivenditore o al centro di assistenza più vicino. Decliniamo qualsiasi responsabilità in relazione a problemi causati da interventi di riparazione o manutenzione non autorizzati.

Alcuni componenti (ad esempio, il condensatore elettrolitico) devono essere sostituiti periodicamente. La durata media di questi elementi è variabile, quindi devono essere controllati regolarmente. Contattare il rivenditore per i dettagli.

Pulizia

Utilizzare un panno morbido e asciutto per pulire le superfici interne ed esterne. Non utilizzare detergenti alcalini.

Ambiente di utilizzo

Quando si utilizzano apparecchiature laser, non esporre l'obiettivo del dispositivo al raggio laser, che potrebbe bruciarlo.

Non orientare l'obiettivo verso il sole o altre luci intense.

Per evitare l'accumulo di calore è necessaria una buona ventilazione in modo da garantire un ambiente operativo adeguato.

NON esporre il dispositivo ad ambienti estremamente caldi, freddi, polverosi, corrosivi, salino-alcalini o umidi.

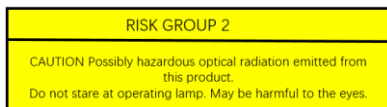
Per i dispositivi esterni, la temperatura di esercizio deve essere compresa tra -30 °C e 65 °C e l'umidità di esercizio deve essere inferiore al 90%. Per i dispositivi interni, la temperatura di esercizio deve essere compresa tra -10 °C e 50 °C e l'umidità di esercizio deve essere inferiore al 90%.

NON esporre il dispositivo a radiazioni elettromagnetiche intense.

Elemento illuminante

Controllare che non ci siano superfici riflettenti nelle vicinanze dell'obiettivo del dispositivo. La luce può rientrare nell'obiettivo provocando riflessi.

Il raggio di questa luce a una distanza di 200 mm è classificato come gruppo di rischio 2 (RG2) per il pericolo retinico da luce blu, mentre alla distanza di 250 mm è classificato come gruppo di rischio 1 (RG1). La distanza di sicurezza minima dal dispositivo è di circa 1,7 m.



Il prodotto può emettere radiazioni ottiche pericolose. IR emesso da questo prodotto. NON fissare la sorgente luminosa mentre è accesa. Può essere pericolosa per gli occhi.

Se non è disponibile una schermatura o una protezione adeguata per gli occhi, accendere la luce solo a distanza di sicurezza o in un'area non direttamente esposta alla luce.

Durante il montaggio, l'installazione o la manutenzione del dispositivo, indossare protezioni adeguate per gli occhi oppure NON accendere la luce.

Per i dispositivi dotati di laser

Solo gli operatori professionisti possono utilizzare il dispositivo con modulo laser.

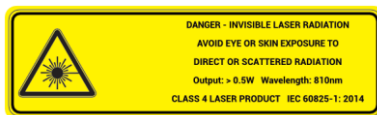
NON fissare la sorgente luminosa mentre è accesa. Può essere pericolosa per gli occhi.

Se non è disponibile una schermatura o una protezione adeguata per gli occhi, accendere la luce solo a distanza di sicurezza o in un'area non direttamente esposta alla luce. La lunghezza d'onda coperta dalla protezione per gli occhi deve comprendere la lunghezza d'onda di picco del laser, e la densità ottica deve essere superiore a OD4+.

Durante il montaggio, l'installazione o la manutenzione del dispositivo, indossare protezioni adeguate per gli occhi oppure NON accendere la luce.

Avvertenza: l'adesivo indica che la radiazione laser emessa dal dispositivo può causare lesioni agli occhi, ustioni alla pelle o combustione di sostanze infiammabili. Prima di attivare la luce supplementare verificare che non ci siano persone o sostanze infiammabili davanti all'obiettivo laser. Tenere il dispositivo lontano dalla portata dei bambini.

Informazioni sul laser, classe 4



Lunghezza d'onda: 810 nm

Divergenza minima del raggio: 5° ± 0,5°

Divergenza massima del raggio: 12° ± 5°

Potenza massima in uscita: 500 mW

Distanza nominale di pericolo oculare (NOHD): 7 m

Emergenza

Se il dispositivo emette fumo, odori o rumori, spegnerlo immediatamente e scollegare il cavo di alimentazione, quindi rivolgersi a un centro di assistenza.

Sincronizzazione dell'ora

Se l'ora locale non è sincronizzata con quella della rete, impostare l'ora del dispositivo manualmente al primo accesso. Accedere al dispositivo tramite browser/software client e passare alla sezione delle impostazioni dell'ora.

Português



A aparência do produto serve apenas de referência e pode ser diferente do produto real.

Interface (Página 8)

- ① Interface de alarme e áudio
- ② Interface de rede
- ③ RS-485
- ④ Ligar/desligar
- ⑤ Interface de fibra ótica
- ⑥ Laser

Acerca deste documento

- O Documento inclui instruções para a utilização e gestão do Produto. As fotografias, os gráficos, as imagens e todas as outras informações doravante apresentadas destinam-se apenas a fins de descritivos e informativos.
- As informações que constam do documento estão sujeitas a alteração, sem aviso prévio,

devido a atualizações de firmware ou a outros motivos. A versão mais recente do Documento pode ser consultada no website da Hikvision (<https://www.hikvision.com>). Exceto se acordado em contrário, a Hangzhou Hikvision Digital Technology Co., Ltd. ou as suas afiliadas (doravante designadas por "Hikvision") não oferece quaisquer garantias, expressas ou implícitas.

- Utilize o Documento com a orientação e a assistência de profissionais com formação em suporte do Produto.

Acerca deste Produto

Este produto só pode beneficiar do apoio do serviço pós-venda no país ou região onde a compra é efetuada.

Reconhecimento dos direitos de propriedade intelectual

- A Hikvision detém os direitos de autor e/ou as patentes relacionadas com a tecnologia incorporada nos produtos descritos neste documento, que podem incluir licenças obtidas de terceiros.
- Qualquer parte do documento, incluindo texto, imagens, gráficos, etc., pertence à Hikvision. Nenhuma parte deste documento pode ser extraída, copiada, traduzida ou modificada, no todo ou em parte, por qualquer meio, sem autorização por escrito.
- **HIKVISION** e outros logótipos e marcas comerciais da Hikvision são propriedade da Hikvision em vários territórios.
- Outras marcas comerciais e logótipos mencionados são propriedade dos respetivos proprietários.

EXCLUSÃO DE RESPONSABILIDADE LEGAL

- NA MEDIDA PERMITIDA PELA LEI APLICÁVEL, O PRESENTE DOCUMENTO E O PRODUTO DESCRITO, COM O RESPECTIVO HARDWARE, SOFTWARE E FIRMWARE, SÃO FORNECIDOS "TAL COMO ESTÃO" E "COM TODAS AS FALHAS E ERROS". A HIKVISION EXCLUI, DE FORMA EXPLÍCITA OU IMPLÍCITA, GARANTIAS DE, INCLUINDO E SEM LIMITAÇÃO, COMERCIALIZAÇÃO, QUALIDADE DO SERVIÇO OU ADEQUAÇÃO A UMA FINALIDADE ESPECÍFICA. A SUA UTILIZAÇÃO DESTES PRODUTOS É FEITA POR SUA CONTA E RISCO. EM CIRCUNSTÂNCIA ALGUMA A HIKVISION SERÁ RESPONSÁVEL PERANTE O UTILIZADOR EM RELAÇÃO A QUAISQUER DANOS ESPECIAIS, CONSEQUENCIAIS, INCIDENTAIS OU INDIRETOS, INCLUINDO, ENTRE OUTROS, DANOS PELA PERDA DE LUCROS COMERCIAIS, INTERRUPTÃO DA ATIVIDADE, PERDA DE DADOS, CORRUPÇÃO DE SISTEMAS OU PERDA DE DOCUMENTAÇÃO SEJA COM BASE NUMA VIOLAÇÃO DO CONTRATO, ATOS ILÍCITOS (INCLUINDO NEGLIGÊNCIA), RESPONSABILIDADE PELO PRODUTO OU, DE OUTRO MODO, RELACIONADA COM A UTILIZAÇÃO DO PRODUTO, AINDA QUE A HIKVISION TENHA SIDO ADVERTIDA QUANTO À POSSIBILIDADE DE TAIS DANOS OU PERDAS.
- O UTILIZADOR RECONHECE QUE A NATUREZA DA INTERNET OFERECE RISCOS DE SEGURANÇA INERENTES E QUE A HIKVISION NÃO SERÁ RESPONSABILIZADA POR UM FUNCIONAMENTO ANORMAL, PERDA DE PRIVACIDADE OU OUTROS DANOS RESULTANTES DE ATAQUES

INFORMÁTICOS, ATAQUES DE PIRATARIA, INFECÇÃO POR VÍRUS OU OUTROS RISCOS ASSOCIADOS À SEGURANÇA DA INTERNET. NO ENTANTO, A HIKVISION PRESTARÁ APOIO TÉCNICO ATEMPADO, SE SOLICITADO.

- O UTILIZADOR ACEITA UTILIZAR ESTE PRODUTO EM CONFORMIDADE COM TODAS AS LEIS APLICÁVEIS E SER O ÚNICO RESPONSÁVEL POR GARANTIR QUE A SUA UTILIZAÇÃO É CONFORME À LEI APLICÁVEL. PARTICULARMENTE, O UTILIZADOR É O RESPONSÁVEL PELA UTILIZAÇÃO DESTES PRODUTOS DE MODO QUE NÃO INFRIJA OS DIREITOS DE TERCEIROS, INCLUINDO, ENTRE OUTROS, OS DIREITOS DE PUBLICIDADE, DIREITOS DE PROPRIEDADE INTELECTUAL OU DE PROTEÇÃO DE DADOS, OU QUAISQUER OUTROS DIREITOS DE PRIVACIDADE. O UTILIZADOR NÃO PODERÁ UTILIZAR ESTE PRODUTO PARA QUAISQUER UTILIZAÇÕES FINAIS PROIBIDAS, INCLUINDO O DESENVOLVIMENTO OU PRODUÇÃO DE ARMAS DE DESTRUIÇÃO MACIÇA, DESENVOLVIMENTO OU PRODUÇÃO DE QUÍMICOS OU ARMAS BIOLÓGICAS, QUAISQUER ATIVIDADES DESENVOLVIDAS NO ÂMBITO DE EXPLOSIVOS NUCLEARES OU CICLOS DE COMBUSTÍVEL NUCLEAR INSEGURO OU PARA APOIAR ABUSOS AOS DIREITOS HUMANOS.
- EM CASO DE CONFLITO ENTRE O PRESENTE DOCUMENTO E A LEI APLICÁVEL, PREVALECE ESTA ÚLTIMA.

© Hangzhou Hikvision Digital Technology Co., Ltd.
Todos os direitos reservados.

Informações sobre as normas reguladoras

As presentes cláusulas aplicam-se apenas aos produtos que apresentam a marcação ou informação correspondentes.

Declaração de conformidade da UE



Este produto e, se aplicável, os acessórios fornecidos com o mesmo, têm a marcação "CE" e estão, por isso, em conformidade com os padrões europeus aplicáveis, indicados na diretiva 2014/30/UE (CEM) e na diretiva 2011/65/UE (RSP).

Nota: Os produtos com uma tensão de entrada situada entre 50 e 1000 V CA ou entre 75 e 1500 V CC estão em conformidade com a diretiva 2014/35/UE (LVD) e os restantes produtos estão em conformidade com a diretiva 2001/95/CE (GPSD). Verifique a informação da fonte de alimentação específica para referência.

O texto integral da declaração de conformidade UE está disponível na seguinte página de internet: <https://www.hikvision.com/en/support/compliance/declaration-of-conformity>.

Aviso: Este é um produto de classe A. Num ambiente doméstico, este produto poderá causar interferências radioelétricas; nesse caso, pode ser necessário que o utilizador tome as medidas adequadas.



Diretiva 2012/19/UE (diretiva REEE): Os produtos com este símbolo não podem ser eliminados como resíduos urbanos indiferenciados na União Europeia. Para uma

reciclagem adequada, devolva este produto ao seu fornecedor local quando adquirir um novo equipamento equivalente ou elimine-o através dos pontos de recolha adequados. Para mais informações, visite: www.recyclethis.info.



Diretiva 2006/66/CE e respetiva alteração 2013/56/UE (diretiva relativa às pilhas e baterias): Este produto

contém uma bateria que não pode ser eliminada como resíduo urbano indiferenciado na União Europeia. Consulte a documentação do produto para obter informações específicas acerca da bateria. A bateria está marcada com este símbolo, que poderá incluir inscrições para indicar a presença de cádmio (Cd), chumbo (Pb), ou mercúrio (Hg). Para reciclar o produto de forma adequada, devolva a bateria ao seu fornecedor ou coloque-a num ponto de recolha apropriado. Para mais informações, visite: www.recyclethis.info.

Instruções de segurança



Advertências

Legislação e regulamentos

O dispositivo deve ser utilizado em conformidade com as leis, regulamentos de segurança elétrica e regulamentos de prevenção de incêndios locais.

Segurança elétrica

ADVERTÊNCIA: Para reduzir o risco de incêndio, o fusível deve ser substituído apenas por outro do mesmo tipo e com a mesma potência.

Este equipamento será instalado integrado com UPS (Fonte de Alimentação Ininterrupta) para evitar o risco de reiniciar.

Bateria

Este equipamento não se adequa a utilização em locais onde a presença de crianças seja provável.

ADVERTÊNCIA: Existe risco de explosão se a bateria for substituída por outra de tipo incorreto.

A substituição incorreta da bateria por outra de tipo incorreto pode destruir uma proteção (por exemplo, no caso de alguns tipos de bateria de lítio).

Não proceda à eliminação da bateria numa fogueira ou forno quente, ou mediante esmagamento ou corte mecânico da mesma pois tal pode resultar numa explosão.

Não deixe a bateria num ambiente com temperaturas extremamente elevadas pois tal pode resultar numa explosão ou na fuga de líquido inflamável ou gás.

Não sujeite a bateria a pressão de ar extremamente baixa pois tal poderá resultar numa explosão de líquido inflamável ou gás.

Elimine pilhas/baterias usadas de acordo com as instruções.



Precauções

Prevenção de incêndios

Não deverão ser colocadas fontes de chama livre, como velas acesas, sobre o equipamento.

A porta série do equipamento é utilizada apenas para a depuração.

Superfície quente

ADVERTÊNCIA: Peças quentes! Queimadura dos dedos resultante do manuseamento das peças.



Este autocolante indica que o elemento assinalado pode estar quente, pelo que não lhe deve tocar sem a devida precaução.

Aguarde meia hora após a desativação antes de manusear as peças.

O dispositivo com este autocolante deve ser instalado num local com acesso restrito. Apenas poderão ter acesso a esse dispositivo funcionários e utilizadores que tenham sido instruídos relativamente aos motivos pelos quais essas restrições de localização têm de ser aplicadas e que tenham sido alertados para os cuidados a adotar.

Instalação

Instale o equipamento de acordo com as instruções constantes deste manual.

Para evitar ferimentos, este equipamento deve ser fixo corretamente ao teto/parede em conformidade com as instruções de instalação.

Certifique-se de que existe espaço suficiente para instalar o dispositivo e os acessórios.

Certifique-se de que a parede é suficientemente resistente para suportar, pelo menos, 8 vezes o peso do dispositivo e do suporte.

Certifique-se de que a alimentação está desligada antes de instalar ou desmontar o dispositivo, assim como antes de ligar cabos ao mesmo.

Transporte

Mantenha o dispositivo na embalagem original ou similar, quando o transportar.

Não deixe o produto cair, nem o sujeite a impactos físicos.

Alimentação elétrica

A fonte de alimentação deve cumprir os requisitos de fonte de alimentação limitada ou PS2 de acordo com a norma IEC 60950-1 ou IEC 62368-1.

Consulte na etiqueta do dispositivo qual a alimentação elétrica padrão. Certifique-se de que a alimentação elétrica disponível coincide com a do dispositivo.

Utilize um adaptador de alimentação fornecido por fabricantes qualificados. Recomenda-se a utilização de um adaptador de alimentação para cada dispositivo, uma vez que a sobrecarga do adaptador pode causar sobreaquecimento ou levar a risco de incêndio.

Segurança do sistema

Por favor, tenha em consideração que a configuração das palavras-passe e de outras definições de segurança do dispositivo são da sua responsabilidade, assim como o guardar do seu nome de utilizador e da sua palavra-passe.

Manutenção

Se o produto não funcionar corretamente, contacte o seu fornecedor ou o seu centro de assistência mais próximo. Não assumimos qualquer responsabilidade por problemas causados por reparações ou manutenções não autorizadas.

Alguns componentes do dispositivo (por exemplo,

condensador eletrolítico) necessita de substituição regular. A duração média varia, portanto, recomenda-se verificação periódica. Entre em contacto com o respetivo revendedor para obter detalhes.

Limpeza

Utilize um pano macio e seco para limpar as superfícies interiores e exteriores. Não utilize detergentes alcalinos.

Ambiente da utilização

Quando estiver a utilizar qualquer equipamento a laser, verifique se a lente do dispositivo não se encontra exposta ao feixe de laser, caso contrário pode queimar.

Não direcione a lente para o sol nem para qualquer outra luz brilhante.

Para evitar acumulação de calor, é necessária uma boa ventilação para um bom ambiente de funcionamento.

NÃO exponha o dispositivo a ambientes extremamente quentes, frios, poeirentos, corrosivos, alcalino salinos ou húmidos.

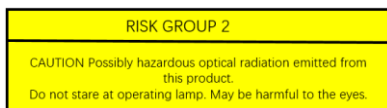
Para os dispositivos exteriores, a temperatura de funcionamento deverá estar entre -30 °C e 65 °C e a humidade de funcionamento deverá ser inferior a 90%. Para os dispositivos interiores, a temperatura de funcionamento deverá estar entre -10 °C e 50 °C e a humidade de funcionamento deverá ser inferior a 90%.

NÃO exponha o dispositivo a radiação eletromagnética elevada.

Iluminador

Certifique-se de que nenhuma superfície refletora está muito próxima da lente do dispositivo. A luz do dispositivo pode ser refletida na lente, provocando reflexo.

O feixe de luz à distância de 200 mm é classificado como Grupo de Risco 2 (RG2) de perigo de luz azul para a retina, e à distância de 250 mm é classificado como Grupo de Risco 1 (RG1). A distância mínima de segurança é de aproximadamente 1,7 metros do dispositivo.



Este produto emite radiação ótica potencialmente perigosa. IV emitidos por este produto. **NÃO** fixe o olhar na fonte de luz em funcionamento. Pode ser prejudicial aos olhos.

Se não tiver blindagem ou proteção ocular disponível, acenda a luz apenas a uma distância adequada ou numa área que não esteja exposta diretamente à luz.

Durante a montagem, instalação ou manutenção do dispositivo, **NÃO** acenda a luz, ou use proteção ocular.

Para dispositivos com laser

Só os profissionais podem operar o dispositivo com o módulo laser.

NÃO fixe o olhar na fonte de luz em funcionamento. Pode ser prejudicial aos olhos.

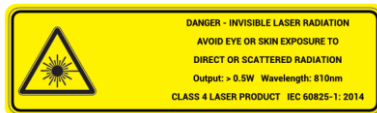
Se não tiver blindagem ou proteção ocular disponível, acenda a luz apenas a uma distância adequada ou numa área que não esteja exposta diretamente à luz.

O comprimento de onda de trabalho da proteção ocular deve cobrir o comprimento de onda máximo do laser e o valor da densidade ótica deve ser superior a OD4+.

Durante a montagem, instalação ou manutenção do dispositivo, **NÃO** acenda a luz, ou use proteção ocular.

Aviso: Este autocolante indica que a radiação laser emitida pelo dispositivo pode provocar lesões oculares, queimaduras na pele ou a combustão de substâncias inflamáveis. Antes de ativar a função de Luz suplementar, certifique-se de que não existem pessoas ou substâncias inflamáveis diante da lente laser. Não coloque o dispositivo num local ao alcance de menores de idade.

Informação Classe laser 4



Comprimento de onda: 810 nm

Divergência mín. feixe: 5°±0,5°

Divergência máx. feixe: 12°±5°

Potência máx.: 500 mW

NOHD (Distância nominal de risco ocular): 7 m

Emergência

Caso o dispositivo emita fumo, odores ou ruídos, desligue a alimentação elétrica de imediato, retire o cabo de alimentação da tomada e contacte o centro de assistência.

Sincronização da hora

Se a hora local não estiver sincronizada com a da rede, configure a hora do dispositivo manualmente quando o utilizar pela primeira vez. Aceda ao dispositivo através do browser/software do cliente e visite a interface das definições da hora.

Nederlands



Het uiterlijk van het product is alleen bedoeld als referentie en kan verschillen van het werkelijke product.

Interface (Pagina 8)

- ① Alarm- & audio-interface
- ② Netwerk-interface
- ③ RS-485
- ④ Voeding
- ⑤ Glasvezelinterface
- ⑥ Laser

Over dit Document

- Het document bevat instructies voor het gebruik en het beheer van het product. Afbeeldingen, grafieken, afbeeldingen en alle andere informatie hierna worden verstrekt voor beschrijving en uitleg.
- De informatie in het Document kan zonder voorafgaande kennisgeving worden gewijzigd vanwege firmware-updates of andere redenen. U kunt de nieuwste versie van het document vinden op de Hikvision website (<https://www.hikvision.com>). Tenzij dit anders is overeengekomen, biedt Hangzhou Hikvision Digital Technology Co., Ltd. of haar

dochtermaatschappijen (hierna "Hikvision" genoemd) geen garanties, uitdrukkelijk of impliciet.

- Gebruik het document onder begeleiding en ondersteuning van professionals die zijn opgeleid voor het ondersteunen van het product.

Informatie over dit product

Dit product kan alleen genieten van de ondersteuning door de klantendienst in het land of de regio waar het werd aangeschaft.

Erkenning van intellectuele eigendomsrechten

- Hikvision is eigenaar van de auteursrechten en/of patenten, verwant met de technologie die is geïntegreerd in de Producten die zijn beschreven in dit Document en die licenties kan bevatten die zijn verkregen van derden.
- Elk deel van het document, met inbegrip van tekst, afbeeldingen, grafieken enz., is eigendom van Hikvision. Geen enkel onderdeel van dit document mag zonder schriftelijke toestemming worden overgenomen, gekopieerd, vertaald of gewijzigd, volledig of gedeeltelijk, door welke middelen ook.
- **HIKVISION** en andere handelsmerken en logo's van Hikvision zijn eigendom van Hikvision in de verschillende jurisdicties.
- Andere handelsmerken en logo's zijn het eigendom van hun respectieve eigenaren.

JURIDISCHE DISCLAIMER

- DIT DOCUMENT EN HET BESCHREVEN PRODUCT MET BIJBEHOORENDE HARDWARE, SOFTWARE EN FIRMWARE, WORDEN TOT DE VOLLE OMVANG VAN DE MOGELIJKHEDEN DIE HET GELDENDE RECHT BIJDE GELEVERD "ALS ZODANIG" EN "MET ALLE GEBREKEN EN FOUTEN". HIKVISION GEEFT GEEN GARANTIES, EXPLICIET NOCH IMPLICIET, MET INBEGRIJ EN ZONDER BEPERKING VAN OMTRENT VERKOOPBAARHEID, TEVREDENHEID OMTRENT KWALITEIT OF GESCHIKTHEID VOOR EEN BEPAALD DOEL. HET GEBRUIK VAN HET PRODUCT DOOR U IS OP EIGEN RISICO. IN GEEN GEVAL IS HIKVISION VERANTWOORDELIJK VOOR SPECIALE, BIJKOMENDE, INCIDENTELE OF INDIRECTE SCHADE, WAARONDER, ONDER ANDERE, SCHADE DOOR WINSTDERIVING, WERKONDERBREKING OF VERLIES VAN GEGEVENS, CORRUPTIE VAN SYSTEMEN OF VERLIES VAN DOCUMENTATIE, ONGEACHT OF DIT VOORTVLOEIT UIT CONTRACTBREUK, BENADELING (INCLUSIEF NALATIGHEID), PRODUCTAANSPRAKELIJKHEID OF ANDERS, MET BETREKKING TOT HET PRODUCT, ZELFS ALS HIKVISION OP DE HOOGTE IS GEBRACHT VAN DERGELIJKE SCHADE OF VERLIES.
- U ERKENT DAT DE AARD VAN INTERNET INHERENTE VEILIGHEIDSRISICO'S MET ZICH MEE BRENGT, EN HIKVISION GEEN ENKELE VERANTWOORDELIJKHEID NEEMT VOOR ABNORMALE WERKING, PRIVACYLEKKEN OF ANDERE SCHADE DIE VOORTVLOEIT UIT CYBERAANVAL, HACKERAANVAL, VIRUSINFECTIE OF ANDERE INTERNETVEILIGHEIDSRISICO'S; HIKVISION BIJDE INDIEN NODIG ECHTER TIJDELIJK TECHNISCHE ONDERSTEUNING.
- U GAAT AKKOORD MET HET GEBRUIK VAN DIT PRODUCT IN OVEREENSTEMMING MET ALLE TOEPASSELIJKE WETTEN EN U BENT ALS ENIGE VERANTWOORDELIJK VOOR DE GARANTIE DAT UW GEBRUIK OVEREENSTEMT MET DE

TOEPASSELIJKE WET. U BENT VOORAL VERANTWOORDELIJK DAT HET GEBRUIK VAN DIT PRODUCT GEEN INBREUK PLEEGT OP DE RECHTEN VAN DERDEN, INCLUSIEF EN ZONDER BEPERKING DE RECHTEN VAN PUBLICITEIT, INTELLECTUEEL EIGENDOM OF GEGEVENSBECHERMING EN ANDERE PRIVACYRECHTEN. U MAG DIT PRODUCT NIET GEBRUIKEN VOOR ENIGE VERBODEN EINDGEBRUIK, MET INBEGRIJ VAN DE ONTWIKKELING OF DE PRODUCTIE VAN MASSAVERNIEETIGINGSWAPENS, DE ONTWIKKELING OF DE PRODUCTIE VAN CHEMISCHE OF BIOLOGISCHE WAPENS, ALLE ACTIVITEITEN IN HET KADER VAN EVENTUELE NUCLEAIRE EXPLOSIEVEN OF ONVEILIGE NUCLEAIRE BRANDSTOF CYCLUS, OF TER ONDERSTEUNING VAN MENSENRECHTENSCHENDINGEN.

- IN HET GEVAL VAN EEN CONFLICT TUSSEN DIT DOCUMENT EN DE TOEPASSELIJKE WETGEVING, PREVALEERT DE LAATSTE.

© Hangzhou Hikvision Digital Technology Co., Ltd.
Alle rechten voorbehouden.

Informatie met betrekking tot regelgeving

Deze clausules zijn alleen van toepassing op de producten die de overeenvakende markering of informatie dragen.

Nalevingsverklaring EU



Dit product en - indien van toepassing - ook de meegeleverde accessoires zijn gemarkeerd met „CE” en voldoen daarom aan de toepasselijke geharmoniseerde Europese normen vermeld onder de Richtlijn 2014/30/EU (EMCD) en Richtlijn 2011/65/EU (RoHS).

Opmerking: De producten met een ingangsspanning van 50 tot 1000 VAC of 75 tot 1500 VDC voldoen aan de Richtlijn 2014/35/EU (LVD), en de restproducten voldoen aan de Richtlijn 2001/95/EG (GPSD). Bekijk de specifieke informatie over de voeding ter referentie.

De volledige tekst van de EU-conformiteitsverklaring is beschikbaar op het volgende internetadres: <https://www.hikvision.com/en/support/compliance/declaration-of-conformity>.

Waarschuwing: Dit is een product van klasse A. Dit product kan in een huishoudelijke omgeving radiostoring veroorzaken, in welk geval de gebruiker gepaste maatregelen moet treffen.



Richtlijn 2012/19/EU (WEEE-richtlijn): Producten die met dit symbool zijn gemarkeerd mogen binnen de Europese Unie niet worden weggegooid als ongesorteerd huishoudelijk afval. Lever dit product voor een juiste recycling in bij uw plaatselijke leverancier bij aankoop van soortgelijke nieuwe apparatuur, of breng het naar daarvoor aangewezen inzamelpunten. Zie voor meer informatie: www.recyclethis.info.



Richtlijn 2006/66/EG en zijn amendement 2013/56/EU

(Batterijrichtlijn): Dit product bevat een batterij die binnen de Europese Unie niet mag worden weggegooid als ongesorteerd huishoudelijk afval. Zie de productdocumentatie voor specifieke informatie over de batterij. De batterij is gemarkeerd met dit symbool, dat letters kan bevatten die cadmium (Cd), lood (Pb) of kwik (Hg) aanduiden. Lever de batterij voor een juiste recycling in bij uw leverancier of bij een daarvoor aangewezen inzamelpunt. Zie voor meer informatie: www.recyclethis.info.

Veiligheidsinstructies



Waarschuwingen

Wet- en regelgeving

Het apparaat moet worden gebruikt in overeenstemming met lokale wetgeving, elektrische veiligheidsvoorschriften en voorschriften voor brandpreventie.

Elektrische veiligheid

LET OP: Vervang de zekering uitsluitend door een exemplaar van hetzelfde type en vermogen om het risico van brand te reduceren.

Deze apparatuur moet worden geïnstalleerd in combinatie met een UPS om het risico van opnieuw starten te vermijden.

Batterij

Deze apparatuur is niet geschikt voor gebruik op locaties waar waarschijnlijk kinderen aanwezig zijn.

LET OP: Er bestaat explosiegevaar wanneer de batterij door een onjuist type wordt vervangen.

Onjuiste vervanging van de batterij door een onjuist type kan een beveiliging omzeilen (bijvoorbeeld in het geval van sommige typen lithiumbatterijen).

Gooi de batterij niet in vuur of een hete oven en plet of snij de batterij niet op mechanische wijze, want dat kan een explosie veroorzaken.

Laat de batterij niet in een omgeving met een extreem hoge temperatuur liggen, want dat kan een explosie of het lekken van brandbare vloeistof of gas tot gevolg hebben.

Stel de batterij niet bloot aan extreem lage luchtdruk, want dat kan een explosie of het lekken van brandbare vloeistof of gas tot gevolg hebben.

Verwijder gebruikte batterijen in overeenstemming met de instructies.



Voorzichtigheden

Brandveiligheid

Plaats geen bronnen met open vuur, zoals brandende kaarsen, op het apparaat.

De seriële poort van de apparatuur wordt alleen gebruikt voor foutopsporing.

Warm oppervlak

LET OP: Hete onderdelen! Verbrande vingers bij het hanteren van de onderdelen.

Deze sticker is om aan te geven dat het gemarkeerde



item heet kan zijn en niet mag worden aangeraakt zonder voorzichtig te zijn. Wacht een half uur na het uitschakelen voordat u onderdelen aanraakt.

Het apparaat met deze sticker is bestemd voor installatie op een locatie met beperkte toegang. Toegang kan alleen worden verkregen door onderhoudsmedewerkers of door gebruikers die zijn geïnstrueerd over de redenen voor de beperkingen die op de locatie worden toegepast en over de voorzorgsmaatregelen die moeten worden genomen.

Installatie

Installeer de apparatuur volgens de instructies in deze handleiding.

Om letsel te voorkomen moet deze apparatuur in overeenstemming met de installatie-instructies stevig aan het plafond of de muur worden bevestigd.

Zorg ervoor dat er voldoende ruimte is om het apparaat en de accessoires te installeren.

Zorg ervoor dat de muur sterk genoeg is om minstens 8 keer het gewicht van het apparaat en de houder te kunnen dragen.

Controleer eerst of de voeding is losgekoppeld voor u het apparaat bekabelt, installeert of demonteert.

Transport

Bewaar het apparaat in de originele of soortgelijke verpakking tijdens vervoer.

Laat het product niet vallen en stel het apparaat niet bloot aan schokken.

Stroomvoorziening

De stroombron moet voldoen aan de vereisten voor beperkte stroombronnen of PS2-vereisten volgens de normen IEC 60950-1 of IEC 62368-1.

Zie het apparaatlabel voor de standaard stroomvoorziening. Zorg ervoor dat uw stroomvoorziening dezelfde is als die van uw apparaat.

Gebruik een door een gekwalificeerde fabrikant geleverde netstroomadapter. Het wordt aanbevolen om voor elk apparaat een onafhankelijke netstroomadapter te gebruiken, aangezien overbelasting van de adapter oververhitting of brandgevaar kan veroorzaken.

Systeembeveiliging

Wij vragen uw begrip voor het feit dat u verantwoordelijkheid bent voor het configureren van alle wachtwoorden en andere beveiligingsinstellingen betreffende het apparaat, en bewaar uw gebruikersnaam en wachtwoord.

Onderhoud

Als het product niet goed werkt, neem dan contact op met uw leverancier of het dichtstbijzijnde servicecentrum. Wij aanvaarden geen verantwoordelijkheid voor problemen die zijn veroorzaakt door ongeautoriseerde reparatie of onderhoud.

Een paar componenten van het apparaat (o.a. elektrolytische condensator) vereisen regelmatige vervanging. De gemiddelde levensduur varieert, dus periodieke controle wordt aanbevolen. Neem contact op met uw leverancier voor meer informatie.

Reiniging

Gebruik een zachte en droge doek om de binnenkant

en buitenkant te reinigen. Gebruik geen alkalische schoonmaakmiddelen.

Gebruiksomgeving

Wanneer laserapparatuur in gebruik is, zorg er dan voor dat de lens van het apparaat niet wordt blootgesteld aan de laserstraal, anders kan deze doorbranden.

Richt de lens niet op de zon of een ander fel licht.

Om warmteophoping te voorkomen is goede ventilatie vereist voor een juiste bedrijfsomgeving.

Stel het apparaat niet bloot aan extreem warme, koude, stoffige, corrosieve, zout-alkalische of vochtige omgevingen.

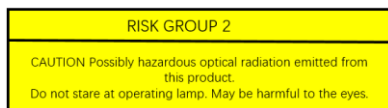
Voor buitenapparatuur moet de bedrijfstemperatuur -30 °C tot 65 °C zijn en de werkluchtvochtigheid lager dan 90%. Voor binnenapparatuur moet de bedrijfstemperatuur -10 °C tot 50 °C zijn en de werkluchtvochtigheid lager dan 90%.

Stel het apparaat NIET bloot aan hoge elektromagnetische straling.

Lamp

Zorg ervoor dat er geen reflecterende oppervlakken dicht bij de lens van het apparaat zijn. Het licht van het apparaat kan terugkaatsen in de lens waardoor reflectie ontstaat.

De lichtbundel op een afstand van 200 mm wordt geclassificeerd als Risicogroep 2 (RG2) van retinaal blauw lichtgevaar, en op een afstand van 250 mm wordt deze geclassificeerd als Risicogroep 1 (RG1). De minimale veilige afstand is ongeveer 1,7 m weg van het apparaat.



Dit product stoot mogelijk gevaarlijke optische straling uit. Dit product stoot infraroodstraling uit. Staar NIET in de operationele lichtbron. Dit kan schadelijk zijn voor uw ogen.

Als geschikte afscherming of oogbescherming niet beschikbaar is, schakel het licht dan alleen in op een veilige afstand of op een plek die niet direct aan het licht wordt blootgesteld.

Schakel het licht NIET in en draag GEEN oogbescherming wanneer u het apparaat monteert, installeert of onderhoudt.

Voor apparaat met laser

Alleen professionals mogen het apparaat met lasermodule bedienen.

Staar NIET in de operationele lichtbron. Dit kan schadelijk zijn voor uw ogen.

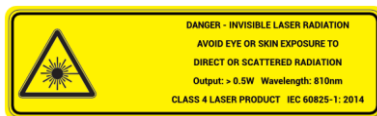
Als geschikte afscherming of oogbescherming niet beschikbaar is, schakel het licht dan alleen in op een veilige afstand of op een plek die niet direct aan het licht wordt blootgesteld.

De oogbescherming moet bestand zijn tegen de piekgolflengte van de laser en de optische dichtheidswaarde moet groter zijn dan OD4+.

Schakel het licht NIET in of draag oogbescherming wanneer u het apparaat monteert, installeert of onderhoudt.

Waarschuwing: Deze sticker is om aan te geven dat de uitgezonden laserstraling van het apparaat oogletsel, verbranding van de huid of brandbare stoffen kan veroorzaken. Zorg, voordat u de kunstlichtfunctie inschakelt, dat er zich geen mensen of brandbare stoffen voor de laserlens bevinden. Plaats het apparaat niet binnen het bereik

van minderjarigen.
Informatie laserklasse 4



Golflengte: 810 nm

Min. straalafwijking: 5°±0.5°

Max. straalafwijking: 12°±5°

Max. uitvoer: 500 mW

NOHD (nominale ooggevaarafstand): 7 m

Noodgeval

Als er rook, geur of geluid uit het apparaat komt, schakel het dan onmiddellijk uit, haal de stekker van het netsnoer uit het stopcontact en neem contact op met het servicecentrum.

Tijdsynchronisatie

Stel tijd op het apparaat handmatig in bij de eerste aanmelding, als de lokale tijd niet is gesynchroniseerd met die van het netwerk. Bezoek het apparaat via webbrowser/clientsoftware en ga naar de interface voor tijdsinstellingen.

Čeština



Vzhled výrobku slouží pouze jako reference a může se od skutečného výrobku lišit.

Rozhraní (strana 8)

- 1 Rozhraní alarmu a zvuku
- 2 Síťový konektor
- 3 Konektor RS-485
- 4 Napájení
- 5 Optické rozhraní
- 6 Laser

O tomto dokumentu

- V dokumentu jsou obsaženy pokyny k používání a obsluze výrobku. Obrázky, schémata, snímky a veškeré ostatní zde uvedené informace slouží pouze jako popis a vysvětlení.
- Informace obsažené v tomto dokumentu podléhají vzhledem k aktualizacím firmwaru nebo z jiných důvodů změnám bez upozornění. Nejnovější verzi tohoto dokumentu naleznete na webových stránkách společnosti Hikvision (<https://www.hikvision.com>). Pokud není uvedeno jinak, společnost Hangzhou Hikvision Digital Technology Co., Ltd. nebo její přidružené společnosti (dále jen „Hikvision“) neposkytují žádné záruky, výslovně ani předpokládané.
- Tento dokument používejte pod vedením a s pomocí odborníků vyškolených v oblasti podpory výrobku.

O tomto výrobku

Tento výrobek může využívat poprodejní servisní podporu pouze v zemi nebo regionu, kde byl zakoupen.

Uznání práv duševního vlastnictví

- Společnost Hikvision vlastní autorská práva

a/nebo patenty týkající se technologie obsažené ve výrobcích popsáných v tomto dokumentu, které mohou zahrnovat licence získané od třetích stran.

- Jakákoli část dokumentu, včetně textu, obrázků, grafiky atd., patří společnosti Hikvision. Žádná část tohoto dokumentu nesmí být bez písemného svolení vyřazena, kopírována, překládána nebo upravována jako celek ani po částech.
- **HIKVISION** a ostatní ochranné známky a loga společnosti Hikvision jsou vlastnictvím společnosti Hikvision v různých jurisdikcích.
- Ostatní ochranné známky a loga uvedené v této příručce jsou majetkem příslušných vlastníků.

PROHLÁŠENÍ O VYLOUČENÍ ODPOVĚDNOSTI

- TENTO DOKUMENT A POPISOVANÉ PRODUKTY VČETNĚ PŘÍSLUŠNÉHO HARDWARU, SOFTWARU A FIRMWARU JSOU V MAXIMÁLNÍM ROZSAHU PŘÍPUSTNÉM PODLE ZÁKONA POSKYTOVÁNY, „JAK STOJÍ A LEŽÍ“, A „SE VŠEMI VADAMI A CHYBAMI“. SPOLEČNOST HIKVISION NEPOSKYTUJE ŽÁDNÉ VÝSLOVNÉ ANI PŘEDPOKLÁDANÉ ŽÁRUKY ZAHRNÚJÍCÍ MIMO JINÉ PRODEJNOST, USPOKOJIVOU KVALITU NEBO VHDNOST KE KONKRÉTNÍM ÚČELŮM. POUŽÍVÁNÍ TOHOTO PRODUKTU JE NA VAŠE VLASTNÍ RIZIKO. SPOLEČNOST HIKVISION V ŽÁDNÉM PŘÍPADĚ NENESE ODPOVĚDNOST ZA JAKÉKOLI ZVLÁŠTNÍ, NÁSLEDNĚ, NÁHODNĚ NEBO NEPŘÍMÉ ŠKODY ZAHRNÚJÍCÍ MIMO JINÉ ŠKODY ZE ZTRÁTY OBCHODNÍHO ZISKU, PŘERUŠENÍ OBCHODNÍ ČINNOSTI NEBO ZTRÁTY DAT, POŠKOZENÍ SYSTÉMŮ NEBO ZTRÁTY DOKUMENTACE V SOUVISLOSTI S POUŽÍVÁNÍM TOHOTO VÝROBKU BEZ OHLEDU NA TO, ZDA TAKOVÉ ŠKODY VZNIKLY Z DŮVODU PORUŠENÍ SMLOUVY, OBČANSKOPRÁVNÍHO PŘEČINU (VČETNĚ NEDBALOSTI) ČI ODPOVĚDNOSTI ZA VÝROBEK, A TO ANI V PŘÍPADĚ, ŽE SPOLEČNOST HIKVISION BYLA NA MOŽNOST TAKOVÝCHTO ŠKOD NEBO ZTRÁTY UPOZORNĚNA.
- BERETE NA VĚDOMÍ, ŽE INTERNET SVOU PODSTATOU PŘEDSTAVUJE SKRYTÁ BEZPEČNOSTNÍ RIZIKA A SPOLEČNOST HIKVISION PROTO NEPŘEBÍRÁ ŽÁDNOU ODPOVĚDNOST ZA NESTANDARDNÍ PROVOZNÍ CHOVÁNÍ, ÚNIK OSOBNÍCH ÚDAJŮ NEBO JINÉ ŠKODY VYPLYVAJÍCÍ Z KYBERNETICKÉHO ČI HACKERSKÉHO ÚTOKU, NAPADENÍ VIREM NEBO ŠKODY ZPŮSOBENÉ JINÝMI INTERNETOVÝMI BEZPEČNOSTNÍMI RIZIKY. SPOLEČNOST HIKVISION VŠAK V PŘÍPADĚ POTŘEBY POSKYTNE VČASNOU TECHNICKOU PODPORU.
- SOUHLASÍTE S TÍM, ŽE TENTO PRODUKT BUDE POUŽÍVÁN V SOULADU SE VŠEMI PLATNÝMI ZÁKONY A VÝHRADNĚ ODPOVÍDÁTE ZA ZAJIŠTĚNÍ, ŽE VAŠE UŽÍVÁNÍ BUDE V SOULADU S PLATNOU LEGISLATIVOU. ODPOVÍDÁTE ZEJMÉNA ZA POUŽÍVÁNÍ PRODUKTU ZPŮSOBEM, KTERÝ NEPORUŠUJE PRÁVA TŘETÍCH STRAN, COŽ ZAHRNÚJE MIMO JINÉ PRÁVO NA OCHRANU OSOBNOSTI, PRÁVO DUŠEVNÍHO VLASTNICTVÍ NEBO PRÁVO NA OCHRANU OSOBNÍCH ÚDAJŮ A DALŠÍ PRÁVA NA OCHRANU SOUKROMÍ. TENTO PRODUKT NESMÍTE POUŽÍVAT K JAKÝMKOLI NEDOVOLENÝM KONCOVÝM ÚČELŮM VČETNĚ VÝVOJE ČI VÝROBY ZBRANÍ HROMADNÉHO NIČENÍ, VÝVOJE NEBO VÝROBY CHEMICKÝCH ČI BIOLOGICKÝCH ZBRANÍ NEBO JAKÝCHKOLI ČINNOSTÍ SOUVISEJÍCÍCH S JADERNÝMI

VÝBUŠNINAMI NEBO NEBEZPEČNÝM JADERNÝM PALIVOVÝM CYKLEM ČI K PODPOŘE PORUŠOVÁNÍ LIDSKÝCH PRÁV.

- V PŘÍPADĚ ROZPORU MEZI TÍMTO DOKUMENTEM A PLATNÝMI PRÁVNÍMI PŘEDPISY MAJÍ PŘEDNOST TYTO PŘEDPISY.
- © Hangzhou Hikvision Digital Technology Co., Ltd.
Všechna práva vyhrazena.

Zákonné informace

Tyto části se vztahují pouze k výrobkům nesoucím odpovídající označení nebo informaci.

Prohlášení o shodě EU



Tento výrobek, a případně i dodané příslušenství, jsou označeny štítkem „CE“, což znamená, že vyhovují příslušným harmonizovaným evropským normám uvedeným ve směrnici 2014/30/EU (EMCD) a směrnici 2011/65/EU (RoHS).

Poznámka: Výrobky se vstupním napětím 50 až 1 000 V AC nebo 75 až 1 500 V DC vyhovují směrnici 2014/35/EU (LVD) a ostatní výrobky vyhovují směrnici 2001/95/ES (GPSD). Přečtěte si informace o konkrétním zdroji napájení.

Plné znění EU prohlášení o shodě je k dispozici na následující internetové adrese:
<https://www.hikvision.com/en/support/compliance/declaration-of-conformity>.

Varování: Jedná se o zařízení třídy A. V domácím prostředí může tento výrobek způsobovat rušení radiového signálu. V takovém případě může být nutné přijmout odpovídající opatření.



Směrnice 2012/19/EU (směrnice WEEE):
Výrobky označené tímto symbolem nelze v Evropské unii likvidovat společně s netříděným domovním odpadem. Při zakoupení nového ekvivalentního výrobku tento výrobek řádně zrecykluje vrácením svému místnímu dodavateli, nebo jej zlikvidujte odevzdáním v určených sběrných místech. Více informací naleznete na webu: www.recyclethis.info.



Směrnice 2006/66/ES a její úprava 2013/56/EU (směrnice o bateriích):
Tento výrobek obsahuje baterii, kterou nelze v Evropské unii likvidovat společně s netříděným domovním odpadem. Konkrétní informace o baterii naleznete v dokumentaci výrobku. Baterie je označena tímto symbolem, který může obsahovat písmena značící kadmium (Cd), olovo (Pb) nebo rtuť (Hg). Za účelem řádné recyklace baterii odevzdejte svému dodavateli nebo na určené sběrné místo. Více informací naleznete na webu: www.recyclethis.info.

Bezpečnostní pokyny



Výstraha

Zákony a předpisy

Zařízení je nutné používat v souladu s místními zákony a předpisy týkajícími se elektrické bezpečnosti a předpisy pro protipožární ochranu.

Elektrická bezpečnost

UPOZORNĚNÍ: Pojistku vyměňte pouze za pojistku stejného typu a se stejným jmenovitým proudem, abyste omezili nebezpečí požáru.

Nainstalujte a zapojte toto zařízení k záložnímu zdroji (UPS), abyste se vyhnuli riziku restartu.

Baterie

Toto zařízení není vhodné pro použití v místech, na kterých se mohou vyskytovat děti.

UPOZORNĚNÍ: Při výměně baterie za nesprávný typ hrozí nebezpečí výbuchu.

Vyměníte-li baterii za nesprávný typ, může dojít k poškození bezpečnostního prvku (například v případě některých typů lithiových baterií).

Nevhazujte do ohně, nevládejte do horké trouby, mechanicky ji nedrťte ani neřezejte. Mohlo by dojít k výbuchu.

Neponechávejte baterii v prostředí s extrémně vysokou teplotou, protože by mohlo dojít k výbuchu nebo úniku hořlavé kapaliny nebo plynu.

Nevystavujte baterii extrémně nízkému tlaku vzduchu, protože by mohlo dojít k výbuchu nebo úniku hořlavé kapaliny nebo plynu.

Použité baterie zlikvidujte podle pokynů.



Upozornění

Požární ochrana

Na zařízení se nesmí pokládat zdroje otevřeného ohně jako například hořící svíčky.

Sériový port zařízení se používá pouze k ladění.

Horký povrch

UPOZORNĚNÍ: Horké díly! Při manipulaci s díly si můžete popálit prsty.



Tato nálepka označuje, že označená položka může být horká a měli byste se jí vždy dotýkat opatrně. Než budete s díly manipulovat, vyčkejte po vypnutí zařízení půl hodiny.

Zařízení s touto nálepkou je určeno k montáži na místě s omezeným přístupem. Přístup mohou mít pouze zaměstnanci provádějící servis nebo uživatelé, kteří byli poučeni o důvodech omezení vztahujících se k místu a o veškerých ochranných opatřeních, která mají být přijata.

Montáž

Namontujte zařízení podle pokynů v tomto návodu.

Zařízení je třeba v souladu s montážními pokyny bezpečně připevnit ke stropu nebo na zeď, aby nedošlo ke zranění.

Ujistěte se, že je pro montáž zařízení a příslušenství k dispozici dostatek místa.

Ujistěte se, že je zeď dostatečně pevná tak, aby byla schopná nést hmotnost 8krát větší, než je hmotnost zařízení a držáku.

Před připojením, instalací a demontáží zařízení se ujistěte, že bylo napájení odpojeno.

Převprava

Při přepravě uchovávejte zařízení v původním nebo

jemu podobným balení.

Produkt nevystavujte fyzickým nárazům a zabraňte jeho spadnutí.

Napájení

Zdroj napájení musí splňovat požadavky na omezený zdroj napájení nebo požadavky PS2 podle normy IEC 60950-1 nebo IEC 62368-1.

Informace o standardním napájení viz štítek zařízení. Ujistěte se, že dodávané napětí odpovídá údajům zařízení.

Používejte napájecí adaptér dodaný kvalifikovanými výrobci. Doporučujeme se pro jednotlivá zařízení zajistit nezávislý napájecí adaptér, protože přetížení adaptéru může vést k přehřátí nebo způsobit požár.

Zabezpečení systému

Mějte na paměti, že jste odpovědní za konfiguraci všech hesel a dalších nastavení zabezpečení zařízení a uchovejte uživatelské jméno a heslo.

Údržba

V případě, že výrobek nefunguje správně, obraťte se na prodejce nebo na nejbližší servisní středisko. Nepřebíráme žádnou odpovědnost za problémy způsobené neoprávněnou opravou nebo údržbou.

Některé z komponent zařízení (např. elektrolytický kondenzátor) je nutné pravidelně vyměňovat. Průměrná doba životnosti se liší, doporučujeme proto pravidelné kontroly. Podrobnosti vám poskytne prodejce.

Čištění

K čištění vnitřních i vnějších povrchů používejte suchý a měkký hadřík. Nepoužívejte alkalické čisticí prostředky.

Provozní prostředí

Používá-li se nějaké laserové zařízení, zajistěte, aby nebyl objektiv zařízení vystaven laserovému paprsku. V opačném případě by se mohl vypálit.

Nemířte objektivem do slunce ani do jiného zdroje jasného světla.

Abyste nedošlo k hromadění tepla, je nutná pro správné provozní prostředí dobrá ventilace.

NEVYSTAVUJTE zařízení extrémně horkému, chladnému, prašnému, korozivnímu, slanému/zásaditému nebo vlhkému prostředí.

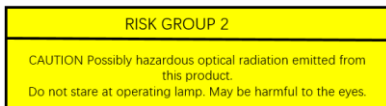
Provozní teplota pro venkovní zařízení musí být v rozmezí -30 °C až 65 °C a provozní vlhkost musí být nižší než 90 %. Provozní teplota pro vnitřní zařízení musí být v rozmezí -10 °C až 50 °C a provozní vlhkost musí být nižší než 90 %.

NEVYSTAVUJTE zařízení silnému elektromagnetickému záření.

Osvětlení

Ujistěte se, že v těsné blízkosti objektivu zařízení není žádný odrazný povrch. Osvětlení se zařízení se může odrážet zpět do objektivu, a způsobovat tak odrazy.

Paprsek světla ve vzdálenosti 200 mm je klasifikován riziková skupina 2 (RG2) nebezpečí modrého světla pro sítnici a ve vzdálenosti 250 mm je klasifikován jako riziková skupina 1 (RG1). Minimální bezpečná vzdálenost je přibližně 1,7 m od zařízení.



- ④ Strømstik
- ⑤ Stik til optisk fiber
- ⑥ Laser

Tento výrobek může vyzařovat nebezpečné optické záření. Z tohoto produktu vyzařuje infračervené záření. **NEDÍVEJTE** se do zapnutého zdroje světla. Může být pro oči škodlivé.

Pokud nejsou dostupné vhodné stínění nebo ochrana očí, zapínejte světlo pouze v bezpečné vzdálenosti nebo v oblasti, která není přímo vystavena světlu. Při montáži, instalaci nebo údržbě zařízení světlo nezapínejte a noste ochranu očí.

Pro zařízení s laserem

Se zařízeními s laserovým modulem mohou zacházet pouze odborníci.

NEDÍVEJTE se do zapnutého zdroje světla. Může být pro oči škodlivé.

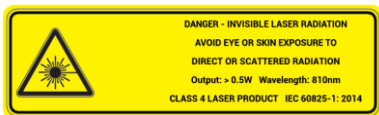
Pokud nejsou dostupné vhodné stínění nebo ochrana očí, zapínejte světlo pouze v bezpečné vzdálenosti nebo v oblasti, která není přímo vystavena světlu.

Provozní vlnová délka ochrany očí by měla pokrývat špičkovou vlnovou délku laseru a hodnota optické hustoty musí být větší než OD4+.

Při montáži, instalaci nebo údržbě zařízení světlo nezapínejte a noste ochranu očí.

Varování: Tato nálepka označuje, že laserové záření vydávané zařízením může způsobit zranění očí, popálení kůže nebo vznícení hořlavých látek. Před povolením funkce doplňkového osvětlení se ujistěte, že před laserovým objektivem nestojí žádní lidé, ani se zde nenacházejí žádné hořlavé materiály. Neumísťujte zařízení tam, kde by mohlo upoutat pozornost nedospělých osob.

Informace o laserové třídě 4



Vlnová délka: 810 nm

Min. rozbihavost svazku: $5^\circ \pm 0,5^\circ$

Max. rozbihavost svazku: $12^\circ \pm 5^\circ$

Max. výstup: 500 mW

NOHD (jmenovitá vzdálenost s nebezpečím poškození zraku): 7 m

Stav nouze

Pokud ze zařízení vychází kouř, zápach nebo hluk, zařízení okamžitě vypněte, odpojte napájecí kabel a obraťte se na servisní středisko.

Synchronizace času

Není-li místní čas synchronizován s časem sítě, nastavte při prvním přístupu čas zařízení ručně. Přejděte prostřednictvím webového prohlížeče nebo klienta softwaru k zařízení a otevřete rozhraní pro nastavení času.

Dansk



Produktudseendet er kun til reference og kan variere fra det faktiske produkt.

Grænseflade (side 8)

- ① Alarm- og lydстик
- ② Netværksgrænseflade
- ③ RS-485

Om dette dokument

- Dokumentet indeholder anvisninger om brug og håndtering af produktet. Billeder, diagrammer, illustrationer og alle øvrige oplysninger herefter tjener kun som beskrivelse og forklaring.
- Oplysningerne i dokumentet er med forbehold for ændring uden varsel på grund af opdateringer af firmware eller andre årsager. Du kan finde den seneste udgave af dokumentet på Hikvisions websted (<https://www.hikvision.com>). Hangzhou Hikvision Digital Technology Co., Ltd. eller dens tilknyttede virksomheder (omtales herefter som "Hikvision") udsteder ingen garantier, udtrykkelige eller underforståede, medmindre andet er aftalt.
- Brug dokumentet under vejledning af og med hjælp fra fagfolk, der er uddannet i understøttelse af produktet.

Om produktet

Produktet må kun udnytte eftersalgsservice i det land eller område, hvor produktet blev købt.

Anerkendelse af intellektuelle ejendomsrettigheder

- Hikvision har ophavsretten og/eller patenterne til den teknologi, der er indarbejdet i de i nærværende dokument beskrevne produkter, som kan omfatte licenser, der er opnået fra tredjeparter.
- Enhver del af dokumentet, herunder tekst, billeder, grafik osv., tilhører Hikvision. Det er forbudt at foretage uddrag af, kopiere, oversætte eller ændre enhver del af dette dokument helt eller delvist på nogen måde uden skriftlig tilladelse.
- **HIKVISION** og andre af Hikvisions varemærker og logoer tilhører Hikvision i forskellige jurisdiktioner.
- Andre nævnte varemærker og logoer tilhører deres respektive ejere.

JURIDISK ANSVARSFRASKRIVELSE

- DOKUMENTET OG DET HERI BESKREVNE PRODUKT, INKL. HARDWARE, SOFTWARE OG FIRMWARE, LEVERES I STØRST MULIGT OMFANG, SOM DET ER TILLADT I HENHOLD TIL GÆLDENDE LOVGIVNING, "SOM DET ER OG FOREFINDES" OG "MED ALLE DEFEKTER OG FEJL". HIKVISION UDSTEDER INGEN GARANTIER, UDTRYKkelige ELLER UNDERFORSTÅEDE, INKL. UDEN BEGRÆNSNING, VEDRØRENDE SALGBARHED, TILFREDSSTILLENDE KVALITET ELLER EGNEHED TIL ET BESTEMT FORMÅL. DIN BRUG AF PRODUKTET SKER PÅ DIN EGEN RISIKO. UNDER INGEN OMSTÆNDIGHEDER ER HIKVISION ANSVARLIG OVER FOR DIG FOR SÆRLIGE SKADER, HÆNDELIGE SKADER, FØLGESKADER ELLER INDIREKTE SKADER, INKL. BL.A., SKADER SOM FØLGE AF DRIFTSTAB, DRIFTSFORSTYRELSE ELLER TAB AF DATA, BESKADIGELSE AF SYSTEMER ELLER TAB AF DOKUMENTATION, UANSET OM DET ER BASERET PÅ KONTRAKTBRUD, SKADEVOLDENDE HANDLINGER (HERUNDER UAGTSOMHED), PRODUKTANSVAR ELLER PÅ

ANDEN MÅDE I FORBINDELSE MED BRUGEN AF PRODUKTET, SELVOM HIKVISION ER BLEVET UNDERRETET OM MULIGHEDEN FOR SÅDANNE SKADER.

- DU ANERKENDER, AT INTERNETTET INDEHOLDER INDBYGGEDE SIKKERHEDSRISICI. HIKVISION PÅTAGER SIG INTET ANSVAR FOR UNORMAL DRIFT, LÆKAGE AF PERSONLIGE OPLYSNINGER ELLER ANDRE SKADER SOM FØLGE AF CYBERANGREB, HACKERANGREB, VIRUSANGREB ELLER ANDRE INTERNETSIKKERHEDSRISICI. HIKVISION VIL DOG YDE EVENTUEL NØDVENDIG OG RETTIDIG TEKNISK BISTAND.
- DU ERKLÆRER DIG INDFORSTÅET MED AT BRUGE PRODUKTET I OVERENSSTEMMELSE MED ALLE GÆLDENDE LOVE, OG DU ER ENANSVARLIG FOR AT SIKRE, AT DIN BRUG OVERHOLDER AL GÆLDENDE LOVGIVNING. DU ER ISÆR ANSVARLIG FOR AT BRUGE PRODUKTET PÅ EN MÅDE, DER IKKE KRÆNKER TREDJEPARTERS RETTIGHEDER, HERUNDER, UDEN BEGRÆNSNINGER, RETTIGHEDER VEDRØRENDE OFFENTLIG OMTALE, INTELLEKTUELLE EJENDOMSRETTIGHEDER ELLER RETTIGHEDER VEDRØRENDE DATASKYTTELSE OG ANDRE RETTIGHEDER VEDRØRENDE PERSONLIGE OPLYSNINGER. DU MÅ IKKE BRUGE PRODUKTET TIL FORBUDTE SLUTANVENDELSER, HERUNDER UDVIKLING ELLER FREMSTILLING AF MASSEØDELÆGGELSESVÅBEN, UDVIKLING ELLER PRODUKTION AF KEMISKE ELLER BIOLOGISKE VÅBEN, AKTIVITETER I DEN KONTEKST, DER ER KNYTTET TIL ATOMBOMBER ELLER USIKKERT REAKTORBRÆNDELSE, ELLER SOM STØTTE TIL OVERTRÆDELSE AF MENNESKERETTIGHEDER.
- I TILFÆLDE AF UOVERENSSTEMMELSE MELLEMLIK DOKUMENTET OG GÆLDENDE LOVGIVNING GÆLDER SIDSTNÆVNTE.

© Hangzhou Hikvision Digital Technology Co., Ltd.
Alle rettigheder forbeholdes.

Lovgivningsmæssige oplysninger

Disse bestemmelser gælder kun for produkter, der er forsynet med det relevante mærke eller oplysninger.

Erklæring om overensstemmelse med EU



Produktet og eventuelt medfølgende tilbehør er mærket "CE" og opfylder derfor gældende harmoniserede europæiske standarder anført i EU-direktiv 2014/30/EU (EMCD) og EU-direktiv 2011/65/EU (RoHS).

Bemærk: Produkter med en indgangsspænding på 50 til 1.000 V vekselstrøm eller 75 til 1.500 V jævnstrøm overholder direktiv 2014/35/EU (LVD), og de øvrige produkter overholder direktiv 2001/95/EF (GPSD). Kontrollér oplysningerne om strømforsyningen for reference.

EU-overensstemmelseserklæringens fulde tekst kan findes på følgende internetadresse:
<https://www.hikvision.com/en/support/compliance/declaration-of-conformity>.

Advarsel: Dette er et klasse A-produkt. Under anvendelse i boliger kan produktet forårsage radiointerferens, og brugeren kan blive nødt til at

træffe passende foranstaltninger.



EU-direktiv 2012/19/EU (WEEE-direktivet): Produkter, der er mærket med dette symbol, kan ikke

bortskaffes som almindeligt husholdningsaffald i EU. Med henblik på korrekt genbrug skal du aflevere produktet til din lokale leverandør ved køb af tilsvarende nyt udstyr eller aflevere det på et dertil indrettet indleveringssted. Du kan få flere oplysninger her: www.recyclethis.info.



Direktiv 2006/66/EC som ændret ved 2013/56/EU (batteridirektiv): Dette produkt indeholder et batteri, som ikke

kan bortskaffes sammen med almindeligt husholdningsaffald i EU. Find specifikke oplysninger om batteriet i produktokumentationen. Batteriet er mærket med dette symbol, som kan indeholde bogstaver, der indikerer indhold af kadmium (Cd), bly (Pb) eller kviksølv (Hg). Med henblik på korrekt genbrug skal du aflevere batteriet til din leverandør eller til et dertil indrettet indleveringssted. Du kan få flere oplysninger her: www.recyclethis.info.

Sikkerhedsanvisning



Advarsler

Love og bestemmelser

Enheden skal anvendes i overensstemmelse med lokale love, sikkerhedsbestemmelser for elnettilslutning og brandforebyggelse.

Elektrisk sikkerhed

FORSIGTIG: Udskift kun med en sikring af samme type og effekt for at reducere risikoen for brand.

Udstyret skal installeres sammen med en UPS-enhed for at undgå risikoen for genstart.

Batteri

Udstyret er ikke egnet til brug på steder, hvor det er sandsynligt, at børn er til stede.

FORSIGTIG: Der er eksplosionsfare, hvis batteriet udskiftes med en forkert type.

Udskiftning af batteriet med et batteri af forkert type kan sætte en sikkerhedsforanstaltning ud af kraft (gælder fx for visse litium-batterityper).

Bortskaf ikke batteriet i åben ild eller en varm ovn. Knus ikke, og skær ikke i batteriet, da dette kan forårsage en eksplosion.

Efterlad IKKE batteriet i omgivelser med ekstremt høje temperaturer, da det kan medføre en eksplosion eller lækage af brandfarlig væske eller luftart.

Udsæt ikke batteriet for omgivelser med ekstremt lavt lufttryk, da det kan medføre en eksplosion eller lækage af brandfarlig væske eller luftart.

Bortskaf brugte batterier i henhold til anvisningerne.



Forsigtig

Forebyggelse af brand

Placér ikke kilder med åben ild, såsom et tændt stearinlys, oven på udstyret.

Den serielle port på udstyret bruges kun til fejlfinding.

Varm overflade

FORSIGTIG: Varme dele! Du kan brænde fingrene ved håndtering af delene.



Klistermærket angiver, at den mærkede del kan være varm og bør berøres med forsigtighed.

Vent en halv time fra du

slukker, til du håndterer delene.

Enheden med dette klistermærke er beregnet til installation et sted med begrænset adgang. Adgang kan kun opnås af servicepersonale eller af brugere, der er instrueret i årsagerne til stedets begrænsninger og i evt. forholdsregler, der skal træffes.

Installation

Installér udstyret i overensstemmelse med anvisningerne i vejledningen.

For at undgå skader skal dette udstyr fastgøres sikkert til loft/væg i overensstemmelse med installationsvejledningen.

Kontrollér, at der er tilstrækkeligt med plads til montering af enheden og tilbehøret.

Kontrollér, at væggen er stærk nok til at bære mindst 8 gange vægten af enheden og beslaget.

Kontrollér, at strømmen er afbrudt, før du trækker ledninger til, installerer eller adskiller enheden.

Transport

Opbevar enheden i den oprindelige eller en lignende emballage, når den skal transporteres.

Tab ikke produktet, og udsæt det ikke for fysiske stød.

Strømforsyning

Strømkilden skal overholde kravene i LPS eller PS2 i henhold til standarden IEC 60950-1 eller IEC 62368-1.

Se standardstrømforsyningen på mærkaten på enheden. Kontrollér, at strømforsyningen matcher din enhed.

Brug en strømadapter, der leveres af godkendte producenter. Det anbefales at bruge en separat strømadapter til hver enhed, da overbelastning af en adapter kan forårsage overophedning eller risiko for brand.

Systemikkerhed

Du skal være bevidst om, at du har ansvar for at konfigurere alle adgangskoder og andre sikkerhedsindstillinger vedrørende enheden og at opbevare dit brugernavn og din adgangskode et sikkert sted.

Vedligeholdelse

Hvis produktet ikke virker korrekt, skal du kontakte din forhandler eller dit nærmeste servicecenter. Vi påtager os intet ansvar for problemer, der er forårsaget af uautoriseret reparation eller vedligeholdelse.

Der er få enhedsdele (fx elektrolytkondensator), der skal udskiftes regelmæssigt. Den gennemsnitlige levetid varierer. Derfor er det nødvendigt at udføre regelmæssig kontrol. Kontakt din forhandler for nærmere oplysninger.

Rengøring

Brug en blød og tør klud til at rengøre de indvendige

og udvendige overflader. Brug ikke alkaliske rengøringsmidler.

Driftsmiljø

Når der er et laserudstyr i brug, skal det kontrolleres, at enhedens objektiv ikke udsættes for laserstrålen, ellers kan det brænde ud.

Objektivet må ikke rettes mod solen eller et stærkt lys.

Driftsmiljøet skal være godt udluftet for at undgå varmeophobning.

Enheden må IKKE udsættes for ekstremt varme, kolde, støvede, korroderende, salt- og alkaliholdige eller fugtige omgivelser.

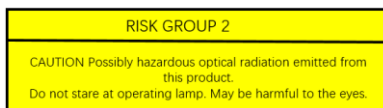
Driftstemperaturen for enheder udendørs skal være -30 °C til 65 °C, og driftsfugtigheden skal være under 90 %. Driftstemperaturen for enheder indendørs skal være -10 °C til 50 °C, og driftsfugtigheden skal være under 90 %.

Enheden må IKKE udsættes for kraftig elektromagnetisk stråling.

Reflektor

Kontrollér, at der ikke findes reflekterende overflader for tæt på enhedens objektiv. Lyset fra enheden kan blive kastet tilbage i objektivet og forårsage refleksion.

På en afstand af 200 mm er lysstrålen klassificeret som risikogruppe 2 (RG2) for blåt lys med fare for nethinde. På en afstand af 250 mm er strålen klassificeret som risikogruppe 1 (RG1). Minimumssikkerhedsafstanden fra enheden er ca. 1,7 m.



Mulig farlig optisk stråling fra dette produkt.

Produktet udsender infrarødt lys. UNDLAD at stirre ind i lyskilden. Kan være skadelig for øjnene.

Hvis passende afskærmning eller øjenbeskyttelse ikke er tilgængelig, må du kun tænde lyset på sikker afstand eller i et område, der ikke er direkte udsat for lyset.

Tænd IKKE lyset, eller brug øjenbeskyttelse, når du samler, installerer eller vedligeholder enheden.

Gælder enheder med laser

Enheden med lasermodul må kun betjenes af sagkyndige.

UNDLAD at stirre ind i lyskilden. Kan være skadelig for øjnene.

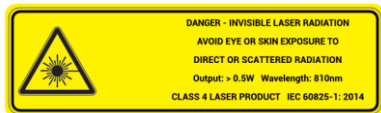
Hvis passende afskærmning eller øjenbeskyttelse ikke er tilgængelig, må du kun tænde lyset på sikker afstand eller i et område, der ikke er direkte udsat for lyset.

Driftsbølgelængden for øjenbeskyttelsen skal dække laserens maksimale bølgelængde, og værdien for den optiske tæthed skal være større end OD4+.

Tænd IKKE lyset, eller brug øjenbeskyttelse, når du samler, installerer eller vedligeholder enheden.

Advarsel: Dette klistermærke angiver, at laserstrålen, der udsendes fra enheden, kan forårsage øjenskade, forbrændinger på huden eller antændelse af brandbare stoffer. Før du aktiverer funktionen Supplerende lys, skal du sikre, at der ikke er personer eller brandbare stoffer foran laserobjektivet. Anbring ikke enheden et sted, der er tilgængeligt for børn.

Oplysninger om laserklasse 4



Bölgelængde: 810 nm

Min. stråledivergens: 5°, ±0,5°

Maks. stråledivergens: 12°, ±5°

Maks. effekt: 500 mW

Nominel sikkerhedsafstand for fare for øjnene (NOHD): 7 m

Nødsituation

Hvis enheden afgiver røg, lugt eller støj, skal du straks slukke for strømmen og trække strømkablet ud. Kontakt derefter servicecentret.

Tidssynkronisering

Konfigurer enhedstiden manuelt første gang, du tilgår enheden, hvis den lokale tid ikke er synkroniseret til netværkets. Gå ind på enheden via din webbrowser/klientsoftware, og åbn skærmen med tidsindstillingerne.

Magyar



A termék megjelenése csak tájékoztató jellegű, és eltérhet a tényleges terméktől.

Csatlakozófelület (8. oldal)

- 1 Riasztás- és hangcsatlakozó
- 2 Hálózati interfész
- 3 RS-485
- 4 Tápellátás
- 5 Száloptikai csatlakozó
- 6 Lézer

A dokumentumról

- A dokumentum a termék használatára és kezelésére vonatkozó utasításokat tartalmaz. Az itt szereplő képek, diagramok, ábrák és minden további információ csupán leírásként és magyarázatként szolgál.
- A dokumentumban szereplő információk a firmware-frissítések és egyéb okok miatt előzetes értesítés nélkül változhatnak. A dokumentum legújabb verzióját a Hikvision webhelyén találja (<https://www.hikvision.com>). Ellenkező megállapodás hiányában, a Hangzhou Hikvision Digital Technology Co., Ltd., illetve fiókvállalatai (a továbbiakban „Hikvision”) nem vállalnak semmilyen kifejezett vagy hallgatóságos jótállást.
- A dokumentumot a termékkel kapcsolatos támogatáshoz megfelelő képzéssel rendelkező szakemberek támogatásával és útmutatásával együtt használja.

A termékről

A termékhez csak abban az országban vagy régióban vevető igénybe az értékesítés utáni szervizszolgáltatás, ahol a vásárlás történt.

Szellemi tulajdonjogok tiszteletben tartása

- A dokumentumban ismertetett termékekben található technológiához kapcsolódó szerzői jogok és/vagy szabadalmak a Hikvision tulajdonát

képezik, és ezekhez harmadik féltől származó engedélyek is tartozhatnak.

- A dokumentum minden része, beleértve a szövegeket, képeket, grafikákat stb. a Hikvision tulajdonát képezi. Írásos engedély hiányában a dokumentum semmilyen része nem kivonatolható, nem másolható, nem fordítható le és nem módosítható, sem részben, sem egészben, semmilyen módszerrel.
- A **HIKVISION**, valamint a Hikvision egyéb védjegyei és logói a Hikvision tulajdonát képezik különböző joghatóságok területén.
- Az említett egyéb védjegyek és logók a megfelelő tulajdonosok tulajdonát képezik.

JOGI NYILATKOZAT

- JELEN DOKUMENTUM, VALAMINT AZ ITT ISMERTETETT TERMÉK SZOFTVERE ÉS FIRMWARE-JE A TÖRVÉNY ÁLTAL MEGENGEDETT LEGTELJESEBB MÉRTÉKIG „AZ ADOTT ÁLLAPOTBAN”, „MINDEN ESETLEGES HIBÁJÁVAL EGYÜTT ÁLL RENDELKEZÉSRE”. A HIKVISION NEM VÁLLAL SEM KIFEJEZETT, SEM TÖRVÉNY ÁLTAL VÉLELMEZETT JÓTÁLLÁST, TÖBBEK KÖZÖTT – DE NEM KORLÁTOZVA – A TERMÉK ÉRTÉKSÍTHETŐSÉGÉRE, MEGFELELŐ MINŐSÉGÉRE, VALAMINT ADOTT CÉLRA VALÓ ALKALMASSÁGÁRA. A TERMÉKET KIZÁRÓLAG SAJÁT FELELŐSSÉGÉRE HASZNÁLHATJA. A HIKVISION SEMMILYEN ESETBEN SEM VÁLLAL FELELŐSÉGET ÖN FELÉ SEMMILYEN KÜLÖNLÉGES, KÖVETKEZMÉNYES, JÁRULÉKOS VAGY KÖZVETETT KÁRÉRT, BELEÉRTVE TÖBBEK KÖZÖTT A TERMÉK HASZNÁLATAVAL ÖSSZEFÜGGÉSBEN AZ ÜZLETI HASZON ELVESZTÉSÉBŐL, AZ ÜZLETMENET MEGSZAKADÁSÁBÓL, VALAMINT AZ ADATOK VAGY DOKUMENTUMOK ELVESZTÉSÉBŐL EREDŐ KÁROKAT, TÖRTÉNIEN EZ SZERZŐDÉSSZEGÉS VAGY KÁROKOZÁS (BELEÉRTVE A GONDATLANSÁGOT) EREDMÉNYEKÉNT, MÉG AKKOR SEM, HA A HIKVISION VÁLLALATOT TÁJÉKOZTATTÁK AZ ILYEN KÁROK BEKÖVETKEZÉSÉNEK LEHETŐSÉGÉRŐL.
- ÖN TUDOMÁSUL VESZI, HOGY AZ INTERNET TERMÉSZETÉBŐL FAKADÓAN REJTI KOCKÁZATOKAT, ÉS A HIKVISION SEMMILYEN FELELŐSÉGET NEM VÁLLAL A RENDELLENES MŰKÖDÉSÉRT, A SZEMÉLYES ADATOK KISZIVÁRGÁSÁÉRT VAGY MÁS OLYAN KÁROKÉRT, AMELYEKET KIBERTÁMADÁSOK, HACKERTÁMADÁSOK, VÍRUSFERTŐZÉSEK VAGY MÁS INTERNETES BIZTONSÁGI VESZÉLYEK OKOZTAK; A HIKVISION AZONBAN KÉRÉSRE IDŐBEN MŰSZAKI TÁMOGATÁST NYÚJT.
- ÖN ELFOGADJA, HOGY EZT A TERMÉKET KIZÁRÓLAG A VONATKOZÓ TÖRVÉNYI ELŐÍRÁSOK BETARTÁSÁVAL HASZNÁLJA, ÉS HOGY A VONATKOZÓ TÖRVÉNYEKNEK MEGFELELŐ HASZNÁLAT KIZÁRÓLAG AZ ÖN FELELŐSSÉGE. KÜLÖNÖSKÉPPEN AZ ÖN FELELŐSSÉGE, HOGY A TERMÉK HASZNÁLATA SORÁN NE SÉRTSE HARMADIK FÉL JOGAIT, BELEÉRTVE, DE NEM KORLÁTOZVA A NYILVÁNOSÁGRA, SZELLEMI TULAJDONRA, ADATOK VÉDELMEÉRE ÉS EGYÉB SZEMÉLYES ADATOKRA VONATKOZÓ JOGOKAT. A TERMÉKET NEM HASZNÁLHATJA TILTOTT CÉLRA, BELEÉRTVE A TÖMEGPUSZTÍTÓ FEGYVEREK FEJLESZTÉSÉT VAGY GYÁRTÁSÁT, A VEGETI VAGY BIOLÓGIAI FEGYVEREK FEJLESZTÉSÉT VAGY GYÁRTÁSÁT, VALAMINT BÁRMILYEN,

ROBBANÁSVESZÉLYES VAGY NEM BIZTONSÁGOS
NUKLEÁRIS HASADÓANYAG-CIKLUSSAL
KAPCSOLATOS TEVÉKENYSÉGET, ILLETVE EMBERI
JOGI VISSZAEÉSEKET TÁMOGATÓ MÓDON
TÖRTÉNŐ FELHASZNÁLÁST.

- BÁRMILYEN, A JELEN DOKUMENTUM ÉS A HATÁLYOS JOGSZABÁLYOK KÖZÖTTI ELLENTMONDÁS ESETÉN AZ UTÓBBI A MÉRVDŐ.

© Hangzhou Hikvision Digital Technology Co., Ltd.
Minden jog fenntartva.

Szabályozással kapcsolatos információk

Ezek a cikkelyek kizárólag a megfelelő jelt vagy információt viselő termékekre vonatkoznak.

EU megfeleléségi nyilatkozat



Ez a termék és a mellékelt tartozékai (ha vannak) a „CE” jelzést viselik, így megfelelnek a 2014/30/EU (EMCD) és a 2011/65/EU (RoHS) irányelvben felsorolt harmonizált európai szabványoknak.

Megjegyzés: Az 50 - 1000 V (egyenáram) vagy 75 - 1500 V (váltóáram) tartományba eső bemeneti feszültséggel rendelkező termékek a 2014/35/EU (LVD) irányelv előírásainak, míg a többi termék a 2001/95/EK (GPSD) irányelv előírásainak felel meg. Kérjük, ellenőrizze az adott tápegységre vonatkozó tájékoztató információkat.

Az EU megfeleléségi nyilatkozat teljes szövege a következő internetcímen érhető el:
<https://www.hikvision.com/en/support/compliance/declaration-of-conformity>.

Vigyázat: Ez egy A osztályú termék.

Lakókörnyezetben rádióhullámú zavart okozhat, amely esetben a felhasználó számára előírható a megfelelő intézkedések megtétele.



2012/19/EU irányelv (WEEE irányelv): Az ilyen jelzéssel ellátott termékeket tilos szelektálatlan kommunális hulladékként elhelyezni az Európai Unió területén. A megfelelő újrahasznosítás érdekében vigye vissza ezt a terméket helyi forgalmazóhoz, amikor új, egyenértékű berendezést vásárol, vagy adja le a kijelölt gyűjtőhelyeken. További információk: www.recyclethis.info.



2006/66/EK irányelv és annak 2013/56/EU kiegészítése (akkumulátor-irányelv): Ez a termék olyan akkumulátort tartalmaz, amelyet az Európai Unióban tilos szelektálatlan kommunális hulladékként ártalmatlanítani. A termékdokumentációban további információkat talál az akkumulátorról. Az akkumulátor ezzel a jelzéssel van ellátva. A jelzésen megtalálhatók lehetnek a kadmiumot (Cd), ólmot (Pb) vagy higanyt (Hg) jelző betűjelek. A megfelelő újrahasznosítás érdekében vigye vissza az akkumulátort a forgalmazóhoz, vagy juttassa el egy kijelölt gyűjtőhelyre. További információk: www.recyclethis.info.

Biztonsági utasítások



Figyelmeztetések

Törvények és szabályok

Az eszközök a helyi törvények, elektromos biztonsági és tűzvédelmi előírások betartásával kell használni.

Elektromos biztonság

VIGYÁZAT: A tűzveszély csökkentése érdekében csak azonos típusú és névleges értékű cserebiztosítót használjon.

A készüléket szünetmentes tápegységgel kell telepíteni az újraindítás kockázatának elkerülése érdekében.

Akkumulátor

Ez a berendezés nem használható olyan helyen, ahol gyermekek lehetnek jelen.

VIGYÁZAT: Az akkumulátor nem megfelelő típusúra cserélése robbanásveszélyt idézhet elő.

Az akkumulátor nem megfelelő típusal történő helyettesítése hatástalaníthat adott biztonsági berendezéseket (például bizonyos típusú lítiumos akkumulátorok esetében).

Tilos az akkumulátort tűzbe vagy forró sütőbe helyezni, illetve összetörni vagy szétvágni, mert ez robbanást okozhat.

Tilos az akkumulátort rendkívül magas környezeti hőmérsékletnek kitenni, mert ez robbanást, illetve gyúlékony folyadék vagy gáz szivárgását idézheti elő.

Tilos az akkumulátort rendkívül alacsony légnyomásnak kitenni, mert ez robbanást, illetve gyúlékony folyadék vagy gáz szivárgását okozhatja.

A használt akkumulátorokat az utasításoknak megfelelően semlegesítse.



Vigyázat

Tűzvédelmi előírások

Tilos a berendezésen nyílt lángforrást, pl. gyertyát elhelyezni.

A készülék soros portja kizárólag hibakeresésre szolgál.

Forró felületek

VIGYÁZAT: Forró alkatrészek! Az alkatrészek megérintése esetén az ujjak égési sérülésének veszélye áll fenn.



Ez a címke azt jelöli, hogy a jelölt elem forró lehet, és csak kellő elővigyázatossággal szabad megérinteni. Az alkatrészek megérintése előtt várjon fél órát a kikapcsolást követően.

A matricával megjelölt eszközöket korlátozottan hozzáférhető helyeken történő használatra tervezték. Hozzáférés csak a szervizszemélyzet vagy olyan felhasználók számára engedélyezett, akiket tájékoztattak a beépítési hely korlátozott hozzáférhetőségének okáról, valamint a szükséges óvintézkedésekről.

Telepítés

A készülék telepítését az ebben az útmutatóban leírtak szerint végezze.

A balesetveszély elkerülése érdekében a készüléket

az üzembe helyezési utasításoknak megfelelően szilárdan a mennyezethez/falhoz kell erősíteni. Győződjön meg róla, hogy az eszköz és tartozékai telepítéséhez elegendő szabad hely áll rendelkezésre.

Ellenőrizze, hogy a fal képes-e megtartani az eszközt és a tartóelem súlyának legalább nyolcszorosát.

A készülék bekötése, telepítése vagy szétszerelése előtt győződjön meg róla, hogy a készülék le van választva az elektromosságról.

Szállítás

Szállítás alkalmával tartsa a terméket az eredeti, vagy ahhoz hasonló csomagolásban.

Ne ejtse le és ne tegye ki ütődésnek a készüléket.

Tápellátás

Az áramforrásnak teljesítenie kell a korlátozott áramforrásokra vonatkozó előírásokat vagy az IEC 60950-1 vagy IEC 62368-1 szabvány PS2 előírásait.

Az előírt tápfeszültséget a készüléken címkejéért találja. Győződjön meg róla, hogy a tápegység megfelelő az eszköz számára.

Minősített gyártók hálózati adapterét használja. Minden készülékhez független hálózati adapter használatát javasolt, mert az adapter túlterhelése túlmelegedéshez vezethet, és tűzveszélyt idézhet elő.

Rendszerezés

Ne fedje le, hogy az Ön felelőssége az eszközhöz kapcsolódó összes jelszó és egyéb biztonsági beállítás megadása, valamint felhasználónevének és jelszavának biztonságos megőrzése.

Karbantartás

Ha a termék NEM működik megfelelően, forduljon a forgalmazóhoz vagy a legközelebbi szervizközponthoz. Nem vállalunk felelősséget az illetéktelen javításból vagy karbantartásból eredő károkról.

A készülék néhány alkatrésze (pl. elektrolit kondenzátor) rendszeres cserét igényel. Ezek átlagos élettartama változó, ezért rendszeres ellenőrzés ajánlott. Részletekért forduljon a forgalmazóhoz.

Tisztítás

A belső és külső felületek tisztításához használjon puha és száraz ruhát. Ne használjon lúgos tisztítószereket.

Használati környezet

Ha bármilyen lézerekészüléket használ, figyeljen arra, hogy a készülék lencséjét ne érje a lézersugár, különben az kiéghet.

Ne irányítsa az objektívát a Nap vagy más erős fényforrás irányába.

A hő felhalmozódásának elkerülése érdekében a megfelelő üzemi környezethez elégséges szellőzést kell biztosítani.

NE tegye ki a készüléket szélsőségesen forró, hideg, poros, korrozív, sós, lúgos vagy nedves környezet hatásának.

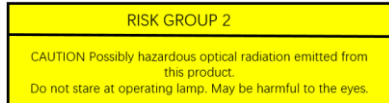
Kültéri eszközök esetén az üzemi hőmérsékletnek -30°C és 65°C közt kell lennie, az üzemi páratartalom pedig nem haladhatja meg a 90%-ot. Beltéri eszközök esetén az üzemi hőmérsékletnek -10°C és 50°C közt kell lennie, az üzemi páratartalom pedig nem haladhatja meg a 90%-ot.

NE TEGYE ki a készüléket erős elektromágneses sugárzásnak.

Reflektor

Győződjön meg arról, hogy nincs tükröződő felület az eszköz optikájának közelében. Az eszköz által sugárzott fény visszatükröződhet az optikába, és reflexiót okozhat.

A fénysugár 200 mm-es távolságban a retinális kék fény veszélyének 2. kockázati csoportjába (RG2), 250 mm-es távolságban pedig az 1. kockázati csoportjába (RG1) tartozik. A minimális biztonságos távolság körülbelül 1,7 m-re van az eszköztől.



A termék potenciálisan veszélyes fénysugarat bocsát ki. A termék infravörös sugárzást bocsát ki. NE nézzen a működő fényforrásba. Szemkárosodást okozhat.

Ha nem áll rendelkezésre megfelelő árnyékolás vagy szemvédelem, csak biztonságos távolságban kapcsolja be a lámpát, vagy olyan helyen, amely nincs közvetlenül kitéve a fénynek.

A készülék összeszerelése, beszerelése vagy karbantartása során NE kapcsolja be a lámpát, vagy viseljen védőszemüveget.

A lézeres készülékkel kapcsolatos tudnivalók

A lézermodullal ellátott eszközt kizárólag szakemberek kezelhetik.

NE nézzen a működő fényforrásba. Szemkárosodást okozhat.

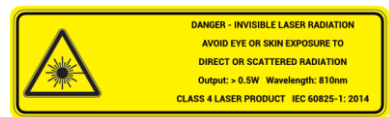
Ha nem áll rendelkezésre megfelelő árnyékolás vagy szemvédelem, csak biztonságos távolságban kapcsolja be a lámpát, vagy olyan helyen, amely nincs közvetlenül kitéve a fénynek.

A szemvédelem működési hullámhosszának le kell fednie a lézerfény csúshullámhosszát, és az optikai sűrűség értékének nagyobbabbnak kell lennie, mint OD4+.

A készülék összeszerelése, beszerelése vagy karbantartása során NE kapcsolja be a lámpát, vagy viseljen védőszemüveget.

Figyelem: Ez a címke azt jelzi, hogy a készülékből származó lézerek sugárzás számcsökkentés érdekében engedélyezhet, bővít vagy éghető anyagok égését okozhatja. Mielőtt engedélyezné a Fénykiegészítő funkciót, győződjön meg arról, hogy nincsenek emberek vagy gyúlékony anyagok a lézerlencse előtt. Ne helyezze az eszközt olyan helyre, ahol gyermekek elérhetik.

A 4 osztályú lézerekkel kapcsolatos információk



Hullámhossz: 810 nm

Min. sugárszéttartás: 5°±0,5°

Max. sugárszéttartás: 12°±5°

Max. teljesítmény: 500 mW

NOHD (szemre veszélyes névleges távolság): 7 m

Vészhelyzet

Ha a készülék füstöt, furcsa szagot vagy zajt bocsát ki, azonnal kapcsolja ki, húzza ki a tápkábel, majd forduljon a szervizközpontoz.

Időszinkronizálás

Ha a helyi idő hálózati idővel való szinkronizálása nem történik meg, akkor az eszköz idejét kézzel kell beállítani. Webböngészőn/kliensszoftveren keresztül nyissa meg az eszközt, majd lépjen az időbeállítás felületre.



Rysunki przedstawiające wygląd produktu służą wyłącznie do celów referencyjnych i mogą różnić się od rzeczywistego wyglądu urządzenia.

Złącza (str. 8)

- ① Złącze alarmów i audio
- ② Złącze sieciowe
- ③ RS-485
- ④ Zasilanie
- ⑤ Złącze światłowodowe
- ⑥ Laser

Opis dokumentu

- Ten dokument zawiera instrukcje dotyczące korzystania z produktu i obchodzenia się z nim. Zdjęcia, rysunki, wykresy i pozostałe informacje zamieszczono w tym dokumencie wyłącznie dla celów informacyjnych i opisowych.
- Informacje zamieszczone w tym dokumencie mogą ulec zmianie bez powiadomienia w związku z aktualizacjami oprogramowania układowego lub w innych okolicznościach. Najnowsza wersja tego dokumentu jest dostępna w witrynie internetowej firmy Hikvision (<https://www.hikvision.com>).
Jeżeli nie uzgodniono inaczej, firma Hangzhou Hikvision Digital Technology Co., Ltd. lub jej jednostki afiliowane (zwane dalej „Hikvision”) nie udzielają gwarancji wyraźnych lub dorozumianych.
- Oprócz tego podręcznika należy korzystać z porad specjalistów z działu pomocy technicznej związanej z produktem.

Informacje o produkcie

W przypadku tego produktu można korzystać z usług serwisowych i pomocy technicznej tylko w kraju lub regionie, w którym ten produkt został zakupiony.

Prawa dotyczące własności intelektualnej

- Firma Hikvision jest beneficjentem praw dotyczących własności intelektualnej i/lub patentów związanych z technologiami wykorzystanymi w produktach opisanych w niniejszym dokumencie, łącznym z licencjami uzyskanymi od stron trzecich.
- Cała zawartość niniejszego dokumentu, taka jak tekst, rysunki lub grafika, jest własnością firmy Hikvision. Zabronione jest wykorzystanie, kopiowanie, tłumaczenie lub modyfikowanie niniejszego dokumentu, częściowo lub w całości, niezależnie od formy lub metody, bez uprzedniego uzyskania pisemnego zezwolenia.
- **HIKVISION** oraz inne znaki towarowe i logo Hikvision są własnością firmy Hikvision w różnych jurysdykcjach.
- Inne znaki towarowe i logo użyte w podręczniku należą do odpowiednich właścicieli.

ZASTRZEŻENIA PRAWNE

- W PEŁNYM ZAKRESIE DOZWOLONYM PRZEZ OBOWIĄZUJĄCE PRAWO TEN DOKUMENT, OPISANY PRODUKT I ZWIĄZANE Z NIM

WYPOSAŻENIE ORAZ OPROGRAMOWANIE APLIKACYJNE I UKŁADOWE SĄ UDOSTĘPNIANE NA ZASADACH „AS IS” BEZ GWARANCJI BRAKU USTEREK I BŁĘDÓW („WITH ALL FAULTS AND ERRORS”). FIRMA HIKVISION NIE UDZIELA ŻADNYCH WYRAŹNYCH ANI DOROZUMIANYCH GWARANCJI, TAKICH JAK GWARANCJE DOTYCZĄCE PRZYDATNOŚCI HANDLOWEJ, JAKOŚCI LUB PRZYDATNOŚCI DO OKREŚLONEGO CELU. UŻYTKOWNIK KORzysta Z PRODUKTU NA WŁASNE RYZYKO.

- NIEZALEŻNIE OD OKOLICZNOŚCI FIRMA HIKVISION NIE PONOSI ODPOWIEDZIALNOŚCI ZA STRATY SPECJALNE, NASTĘPCZE, UBOCZNE LUB POŚREDNIE, TAKIE JAK STRATA OCZEKIWANYCH ZYSKÓW Z DZIAŁALNOŚCI BIZNESOWEJ, PRZERWY W DZIAŁALNOŚCI BIZNESOWEJ, USZKODZENIE SYSTEMÓW ALBO STRATA DANYCH LUB DOKUMENTACJI, WYNIKAJĄCE Z NARUSZENIA UMOWY, PRZEWINIENIA (ŁĄCZNIE Z ZANIEDBANIEM), ODPOWIEDZIALNOŚCI ZA PRODUKT LUB INNYCH OKOLICZNOŚCI, ZWIĄZANE Z UŻYCIEM TEGO PRODUKTU, NAWET JEŻELI FIRMA HIKVISION ZOSTAŁA POINFORMOWANA O MOŻLIWOŚCI WYSTĄPIENIA TAKICH SZKÓD LUB STRAT.
- UŻYTKOWNIK PRZYJMUJE DO WIADOMOŚCI, ŻE KORZYSTANIE Z INTERNETU JEST ZWIĄZANE Z ZAGROŻENIAMI DLA BEZPIECZEŃSTWA, A FIRMA HIKVISION NIE PONOSI ODPOWIEDZIALNOŚCI ZA NIEPRAWIDŁOWE FUNKCJONOWANIE, NIEAUTORYZOWANE UJAWNIENIE POUFNYCH INFORMACJI LUB INNE SZKODY WYNIKAJĄCE Z ATAKU CYBERNETYCZNEGO, ATAKU HAKERA, DZIAŁANIA WIRUSÓW LUB INNYCH ZAGROZEŃ DLA BEZPIECZEŃSTWA W INTERNECIE. FIRMA HIKVISION ZAPEWNI JEDNAK POMOC TECHNICZNĄ W ODPOWIEDNIM CZASIE, JEŻELI BĘDZIE TO WYMAGANE.
- UŻYTKOWNIK ZOBOWIĄZUJE SIĘ DO KORZYSTANIA Z PRODUKTU ZGODNIE Z PRZEPISAMI I PRZYJMUJE DO WIADOMOŚCI, ŻE JEST ZOBOWIĄZANY DO ZAPEWNIENIA ZGODNOŚCI UŻYCIA PRODUKTU Z PRZEPISAMI. W SZCZEGÓLNOŚCI UŻYTKOWNIK JEST ZOBOWIĄZANY DO KORZYSTANIA Z PRODUKTU W SPOSÓB, KTÓRY NIE NARUSZA PRAW STRON TRZECICH, DOTYCZĄCYCH NA PRZYKŁAD WIZERUNKU KOMERCYJNEGO, WŁASNOŚCI INTELEKTUALNEJ LUB OCHRONY DANYCH I PRYWATNOŚCI. UŻYTKOWNIK NIE BĘDZIE UŻYWAĆ PRODUKTU DO CELÓW ZABRONIONYCH, TAKICH JAK OPRACOWANIE LUB PRODUKCJA BRONI MASOWEGO RAŻENIA ALBO BRONI CHEMICZNEJ LUB BIOLOGICZNEJ ORAZ DZIAŁANIA ZWIĄZANE Z WYBUCHOWYMI MATERIAŁAMI NUKLEARNYMI, NIEBEZPIECZNYM NUKLEARNYM CYKLEM PALIWOWYM LUB ŁAMANIEM PRAW CZŁOWIEKA.
- W PRZYPADKU NIEZGODNOŚCI NINIEJSZEGO DOKUMENTU Z OBOWIĄZUJĄCYM PRAWEM WYŻSZY PRIORYTET BĘDZIE MIAŁO OBOWIĄZUJĄCE PRAWO.

© Hangzhou Hikvision Digital Technology Co., Ltd.
Wszelkie prawa zastrzeżone.

Informacje dotyczące przepisów

Te klauzule dotyczą tylko produktów z odpowiednimi oznaczeniami lub etykietami.

Deklaracja zgodności z dyrektywami UE



Ten produkt i ewentualnie dostarczone razem z nim akcesoria oznaczono symbolem „CE” potwierdzającym zgodność z odpowiednimi ujednoliconymi normami europejskimi, uwzględnionymi w dyrektywie 2014/30/EU (EMCD) i dyrektywie 2011/65/EU (RoHS).

Uwaga: Produkty przystosowane do napięcia wejściowego 50 – 1000 V AC lub 75 – 1500 V DC są zgodne z dyrektywą 2014/35/EU (LVD), a pozostałe produkty są zgodne z dyrektywą 2001/95/EC (GPSD). Należy sprawdzić specyfikacje zasilania urządzenia.

Cały tekst deklaracji zgodności z dyrektywami UE jest dostępny pod następującym adresem internetowym: <https://www.hikvision.com/en/support/compliance/declaration-of-conformity>.

Ostrzeżenie: To jest produkt klasy A. W budynkach mieszkalnych ten produkt może powodować zakłócenia radiowe. W takich okolicznościach użytkownik może być zobowiązany do zastosowania adekwatnych środków zaradczych.



Dyrektywa 2012/19/EU w sprawie zużytego sprzętu elektrycznego i elektronicznego (WEEE):

Produktów oznaczonych tym symbolem nie wolno utylizować na obszarze Unii Europejskiej jako niesegregowane odpady komunalne. Aby zapewnić prawidłowy recykling tego produktu, należy zwrócić go do lokalnego dostawcy przy zakupie równoważnego nowego urządzenia lub utylizować go w wyznaczonym punkcie selektywnej zbiórki odpadów. Aby uzyskać więcej informacji, zobacz www.recyclethis.info.



Dyrektywa 2006/66/EC w sprawie baterii i akumulatorów i zmieniająca ją dyrektywa 2013/56/EU: Ten produkt

zawiera baterię, której nie wolno utylizować na obszarze Unii Europejskiej jako niesegregowane odpady komunalne. Szczegółowe informacje dotyczące baterii zamieszczono w dokumentacji produktu. Bateria jest oznaczona tym symbolem, który może także zawierać litery wskazujące na zawartość kadmu (Cd), ołowiu (Pb) lub rtęci (Hg). Aby zapewnić prawidłowy recykling baterii, należy zwrócić ją do dostawcy lub przekazać do wyznaczonego punktu zbiórki. Aby uzyskać więcej informacji, zobacz www.recyclethis.info.

Zalecenia dotyczące bezpieczeństwa



Ostrzeżenia

Przepisy i rozporządzenia

Urządzenie powinno być użytkowane zgodnie z lokalnymi przepisami, rozporządzeniami dotyczącymi korzystania z wyposażenia elektrycznego

i przepisami przeciwpożarowymi.

Bezpieczne korzystanie z urządzeń elektrycznych

PRZESTROGA: Aby ograniczyć zagrożenie pożarowe, należy używać bezpieczników tego samego typu i o takich samych parametrach znamionowych.

To wyposażenie należy zainstalować z zasilaczem awaryjnym UPS, aby zapobiec zagrożeniu związanemu z przypadkowym ponownym uruchomieniem.

Bateria

Urządzenie nie powinno być używane w lokalizacjach, w których mogą przebywać dzieci.

PRZESTROGA: Zainstalowanie nieodpowiedniej baterii może spowodować wybuch.

Zainstalowanie nieodpowiedniej baterii może spowodować zagrożenie (dotyczy to na przykład niektórych baterii litowych).

Wrzucenie baterii do ognia lub rozgrzanego pieca albo zgniecenie lub przecięcie baterii może spowodować wybuch.

Wysoka temperatura w otoczeniu może spowodować wybuch baterii albo wyciek palnej cieczy lub gazu.

Ekstremalnie niskie ciśnienie powietrza w otoczeniu może spowodować wybuch baterii albo wyciek palnej cieczy lub gazu.

Zużyte baterie należy utylizować zgodnie z instrukcjami.



Przestrogi

Ochrona przeciwpożarowa

Nie wolno umieszczać na urządzeniu źródeł nieosłoniętego płomienia, takich jak zapalone świece.

Złącze szeregowe urządzenia jest używane wyłącznie do debugowania.

Gorące elementy

PRZESTROGA: Gorąca powierzchnia!

Dotknięcie gorących elementów może spowodować oparzenie palców.



Podzespoły oznaczone tą etykietą mogą być gorące, dlatego należy obchodzić się z nimi ostrożnie. Po wyłączeniu

zasilania należy odczekać pół godziny przed dotknięciem podzespołów urządzenia.

Urządzenie z tą naklejką jest przeznaczone do instalacji w warunkach ograniczonego dostępu. Dostęp może uzyskać tylko personel serwisowy lub użytkownicy poinformowani o celach ograniczenia dostępu do danej lokalizacji i stosowanych środkach ostrożności.

Instalacja

Urządzenie należy zainstalować zgodnie z instrukcjami podanymi w tym podręczniku.

Aby zapobiec zranieniu, należy przymocować urządzenie do sufitu/ściany zgodnie z instrukcjami instalacyjnymi.

Upewnij się, że dostępne jest miejsce wymagane do instalacji urządzenia i akcesoriów.

Należy upewnić się, że ściana jest przystosowana do obciążenia co najmniej ośmiokrotnie większego niż ciężar urządzenia z uchwytem.

Przed podłączeniem, instalacją lub demontażem urządzenia należy odłączyć jego zasilanie.

Transport

Podczas transportu urządzenie powinno być umieszczone w oryginalnym lub podobnym opakowaniu.

Należy chronić urządzenie przed upadkiem lub udarami mechanicznymi.

Zasilanie

Źródło zasilania powinno spełniać wymagania dotyczące źródeł zasilania z własnym ograniczeniem (LPS) lub wymagania PS2 zgodnie z normą IEC 60950-1 lub IEC 62368-1.

Informacje dotyczące standardowego zasilania podano na tabliczce znamionowej urządzenia. Należy upewnić się, że zasilanie jest zgodne ze specyfikacjami urządzenia.

Należy korzystać z zasilaczy dostarczonych przez wykwalifikowanych producentów. Zalecane jest użycie oddzielnego zasilacza dla każdego urządzenia, ponieważ przeciążenie zasilacza może spowodować przegrzanie lub pożar.

Zabezpieczenia systemu

Użytkownik jest zobowiązany do skonfigurowania wszystkich hasel i ustawień zabezpieczeń urządzenia oraz ochrony własnej nazwy użytkownika i hasła.

Konserwacja

Jeżeli produkt nie działa prawidłowo, skontaktuj się z dystrybutorem lub najbliższym centrum serwisowym. Producent nie ponosi odpowiedzialności za problemy spowodowane przez nieautoryzowane prace naprawcze lub konserwacyjne.

Konieczna jest regularna wymiana kilku podzespołów urządzenia (np. kondensatora elektrolitycznego). Przeciętny okres użytkowania może być różny, dlatego zalecane jest regularne sprawdzanie stanu technicznego podzespołów. Aby uzyskać więcej informacji, należy skontaktować się z dystrybutorem.

Czyszczenie

Należy czyścić elementy wewnętrzne i zewnętrzne miękką, suchą ściereczką. Nie wolno używać alkalicznych środków czyszczących.

Warunki otoczenia

Jeżeli używane jest wyposażenie laserowe, należy upewnić się, że obiektowy urządzenia nie jest oświetlany przez wiązkę lasera, ponieważ może to spowodować jego spalenie.

Nie wolno kierować obiektowy w stronę słońca lub innego źródła intensywnego światła.

Aby zapobiec akumulacji ciepła, należy zapewnić odpowiednią wentylację urządzenia.

NIE wolno narażać urządzenia na ekstremalnie wysokie lub niskie temperatury, kurz, substancje korozyjne, roztwory wody, zasady lub wilgoć.

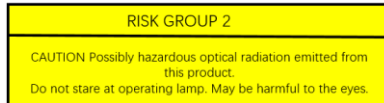
Podczas użytkowania urządzeń zainstalowanych poza budynkami temperatura otoczenia powinna wynosić od -30°C do $+65^{\circ}\text{C}$, a wilgotność powietrza powinna być niższa niż 90%. Podczas użytkowania urządzeń zainstalowanych w budynkach temperatura otoczenia powinna wynosić od -10°C do $+50^{\circ}\text{C}$, a wilgotność powietrza powinna być niższa niż 90%.

Należy chronić urządzenie przed silnym promieniowaniem elektromagnetycznym.

Oświetlenie

Należy upewnić się, że żadne elementy odbłaskowe nie znajdują się zbyt blisko obiektowy urządzenia. Światło z urządzenia może być odbijane wstecz do obiektowy.

Zgodnie z klasyfikacją zagrożenia siatkówki wiązka światła niebieskiego na dystansie 200 mm jest zaliczana do grupy ryzyka Risk Group 2 (RG2), a na dystansie 250 mm do grupy ryzyka Risk Group 1 (RG1). Minimalna odległość od urządzenia zapewniająca bezpieczeństwo wynosi około 1,7 m.



Produkt emituje światło widzialne, które może być szkodliwe. Ten produkt emituje promieniowanie podczerwone. NIE wolno spoglądać bezpośrednio w wiązkę światła. Może to spowodować uszkodzenie wzroku.

Jeżeli odpowiednia osłona lub zabezpieczenie oczu nie jest dostępne, należy włączyć oświetlenie tylko w bezpiecznej odległości albo w lokalizacji, która nie jest bezpośrednio narażona na intensywne światło.

Podczas montażu, instalacji lub konserwacji urządzenia NIE wolno włączyć oświetlenia bez uprzedniego założenia wyposażenia do ochrony oczu.

Dotyczy urządzeń z laserem

Urządzenie z modulem laserowym może być obsługiwane wyłącznie przez odpowiednio wykwalifikowane osoby. NIE wolno spoglądać bezpośrednio w wiązkę światła. Może to spowodować uszkodzenie wzroku.

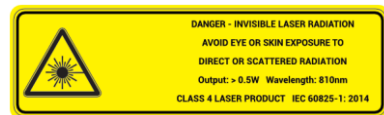
W przypadku braku odpowiedniej osłony lub zabezpieczenia oczu należy włączyć źródła światła tylko w bezpiecznej odległości albo w lokalizacji, która nie jest bezpośrednio narażona na światło.

Zakres roboczej długości fali zabezpieczenia oczu powinien obejmować szczytową długość fali lasera, a gęstość optyczna powinna być większa niż OD4+.

Podczas montażu, instalacji lub konserwacji urządzenia NIE wolno włączyć źródła światła bez uprzedniego założenia wyposażenia do ochrony oczu.

Ostrzeżenie: Ta naklejka ostrzega o emitowanym przez urządzenie promieniowaniu laserowym, które może spowodować zranienie oczu, oparzenie skóry lub zapłon substancji palnych. Przed włączeniem oświetlenia pomocniczego należy upewnić się, że żadne osoby lub substancje palne nie znajdują się na ścieżce wiązki lasera. Nie wolno umieszczać urządzenia w miejscu dostępnym dla dzieci.

Informacje o laserowym produkcie klasy 4



Długość fali: 810 nm

Min. rozbieżność wiązki: $5^{\circ} \pm 0,5^{\circ}$

Maks. rozbieżność wiązki: $12^{\circ} \pm 5^{\circ}$

Maks. moc wyjściowa: 500 mW

Nominalna odległość zagrożenia wzroku (NOHD): 7 m

Poważne awarie

Jeżeli urządzenie wydziela dym lub intensywny zapach albo emituje hałas, należy niezwłocznie wyłączyć zasilanie i odłączyć przewód zasilający,

a następnie skontaktować się z centrum serwisowym.

Synchronizacja czasu

Podczas pierwszego dostępu można ręcznie ustawić czas urządzenia, jeżeli nie jest on zsynchronizowany z czasem sieci. Okno ustawień czasu urządzenia można wyświetlić przy użyciu przeglądarki internetowej lub oprogramowania klienckiego.

Română



Aspectul produsului este doar de referință și poate varia de produsul real.

Interfața (pagina 8)

- 1 Alarmă și interfață audio
- 2 Interfață rețea
- 3 RS-485
- 4 Putere
- 5 Interfață fibră optică
- 6 Laser

Despre acest document

- Documentul include instrucțiuni pentru utilizarea și gestionarea produsului. Fotografii, diagrame, imaginile și toate celelalte informații de mai jos sunt doar pentru descriere și explicații.
- Informațiile conținute în document pot fi modificate, fără notificare prealabilă, din cauza actualizărilor firmware-ului sau din alte motive. Vă rugăm să găsiți cea mai recentă versiune documentului pe site-ul Hikvision (<https://www.hikvision.com>). Cu excepția cazului în care se convine altfel, Hangzhou Hikvision Digital Technology Co., Ltd. sau afiliații săi (denumiți în continuare „Hikvision”) nu oferă nicio garanție, expresă sau implicită.
- Vă rugăm să folosiți acest document sub îndrumarea și cu asistența unor profesioniști instruiți în domeniul asistenței pentru produs.

Despre acest produs

Acest produs poate beneficia de servicii de asistență post-vânzare numai în țara sau regiunea în care se face achiziția.

Recunoașterea drepturilor de proprietate intelectuală

- Hikvision deține drepturile de autor și/sau brevetele legate de tehnologia încorporată în produsele descrise în acest document, care pot include licențe obținute de la terțe părți.
- Orice parte a documentului, inclusiv textul, imaginile, grafica etc., aparține Hikvision. Nicio parte a acestui document nu poate fi extrasă, copiată, tradusă sau modificată, integral sau parțial, prin niciun fel de mijloace, fără permisiune scrisă.
- **HIKVISION** și alte mărci comerciale și logo-uri Hikvision sunt proprietatea Hikvision în diferite jurisdicții.
- Alte mărci comerciale și logo-uri menționate sunt proprietățile proprietarilor respectivi.

PRECIZĂRI LEGALE

- ÎN MĂSURA MAXIMĂ PERMISĂ DE LEGISLAȚIA APLICABILĂ, ACEST DOCUMENT ȘI PRODUSUL DESCRIS, ÎMPREUNĂ CU HARDWARE-UL,

SOFTWARE-UL ȘI FIRMWARE-UL SĂU, SUNT FURNIZATE „CA ATARE” ȘI „CU TOATE DEFECTELE ȘI ERORILE”. HIKVISION NU OFERĂ NICIO GARANȚIE, EXPRESĂ SAU IMPLICITĂ, INCLUSIV, DAR FĂRĂ A SE LIMITA LA, COMERCIALIZAREA, CALITATEA SATISFĂCĂTOARE SAU ADECVAREA PENTRU UN ANUMIT SCOP. UTILIZAREA PRODUSULUI DE CĂTRE DVS. ESTE PE PROPRIUL RISC. ÎN NICI UN CAZ HIKVISION NU VA FI RESPONSABILĂ FAȚĂ DE DVS. PENTRU ORICE DAUNE SPECIALE, SECUNDARE, ACCIDENTALE SAU INDIRECTE, INCLUSIV, PRINTRE ALTELE, DAUNE PPRIN PIERDEREA PROFITURILOR DIN AFACERI, ÎNTRERUPEREA ACTIVITĂȚII SAU PIERDEREA DATELOR, DETERIORAREA SISTEMELOR SAU PIERDEREA DOCUMENTAȚIEI, FIE CĂ SE BAZEAZĂ PE ÎNCĂLCAREA CONTRACTULUI, DELICT (INCLUSIV NEGLIJENȚĂ), RĂSPUNDEREA CU PRIVIRE LA PRODUS SAU ÎN ALT MOD, ÎN LEGĂTURĂ CU UTILIZAREA PRODUSULUI, CHIAR DACĂ HIKVISION A FOST INFORMATĂ CU PRIVIRE LA POSIBILITATEA UNOR ASTFEL DE DAUNE SAU PIERDERI.

- RECUNOAȘTEȚI CĂ NATURA INTERNETULUI IMPLICĂ RISCURI DE SECURITATE INERENTE, IAR HIKVISION NU ÎȘI ASUMĂ NICIO RESPONSABILITATE PENTRU FUNCȚIONAREA ANORMALĂ, SCURGAREA DE INFORMAȚII CONFIDENȚIALE SAU ALTE DAUNE REZULTATE DIN ATACURI CIBERNETICE, ATACURI ALE HACKERILOR, INFECTĂRI CU VIRUȘI SAU ALTE RISCURI DE SECURITATE PE INTERNET; CU TOATE ACESTE, HIKVISION VA OFERI ASISTENȚĂ TEHNICĂ ÎN TIMP UTIL DACĂ ESTE NECESAR.
- SUNTEȚI DE ACORD SĂ UTILIZAȚI ACEST PRODUS ÎN CONFORMITATE CU TOATE LEGILE APLICABILE ȘI VĂ REVINE ÎN ÎNTREGIME RESPONSABILITATEA DE A VĂ ASIGURA CĂ UTILIZAREA DVS. ESTE ÎN CONFORMITATE CU LEGISLAȚIA APLICABILĂ. ÎN SPECIAL, SUNTEȚI RESPONSABIL(Ă) PENTRU UTILIZAREA ACESTUI PRODUS ÎNTR-UN MOD CARE NU ÎNCALCĂ DREPTURILE TERȚILOR, INCLUSIV, DAR FĂRĂ A SE LIMITA LA DREPTURILE DE PUBLICITATE, DREPTURILE DE PROPRIETATE INTELLECTUALĂ SAU PROTECȚIA DATELOR ȘI ALTE DREPTURI DE CONFIDENȚIALITATE. NU VEȚI UTILIZA ACEST PRODUS PENTRU UTILIZĂRI FINALE ÎNTERIZSE, INCLUSIV PENTRU DEZVOLTAREA SAU PRODUCEREA DE ARME DE DISTRUGERÉ ÎN MASĂ, DEZVOLTAREA SAU PRODUCEREA DE ARME CHIMICE SAU BIOLOGICE, DESFĂȘURAREA ORICĂRUI ACTIVITĂȚI ÎN CONTEXTUL ORICĂRUI EXPLOZIBIL NUCLEAR SAU AL UNUI CICLU DE PRODUȚIE A UNUI COMBUSTIBIL NUCLEAR CARE NU PREZINTĂ SIGURANȚĂ SAU ÎN SPRIJINUL ÎNCĂLCĂRII DREPTURILOR OMULUI.
- ÎN CAZUL UNOR CONFLICTE ÎNTRE ACEST DOCUMENT ȘI LEGEA APLICABILĂ, ACEASTA DIN URMĂ PREVALEAZĂ.

© Hangzhou Hikvision Digital Technology Co., Ltd.
Toate drepturile rezervate.

Informații de reglementare

Aceste clauze se aplică numai produselor care poartă marca sau informațiile corespunzătoare.

Declarație de conformitate UE

CE Acest produs și – dacă este cazul – accesoriile furnizate sunt marcate cu „CE” și, prin urmare, sunt conforme cu standardele europene armonizate aplicabile enumerate în Directiva 2014/30/UE (EMCD) și Directiva 2011/65/UE (RoHS).

Notă: Produsele cu o tensiune de intrare cuprinsă între 50 și 1000 V c.a. sau 75 și 1500 V c.c. sunt conforme cu Directiva 2014/35/UE (LVD), iar restul produselor sunt conforme cu Directiva 2001/95/CE (GPSD). Verificați informațiile specifice privind sursa de alimentare pentru referință.

Textul integral al declarației de conformitate UE este disponibil la următoarea adresă de internet: <https://www.hikvision.com/en/support/compliance/declaration-of-conformity>.

Avertizare: Acesta este un produs din Clasa A. Într-un mediu casnic, acest produs poate cauza interferențe radio, iar în acest caz, utilizatorul poate fi obligat să ia măsuri adecvate.



Directiva 2012/19/UE (directiva DEEE): Produsele marcate cu acest simbol nu pot fi eliminate ca deșeurii municipale nesortate în Uniunea Europeană. Pentru o reciclare adecvată, returnați acest produs furnizorului local la achiziționarea unui echipament nou echivalent sau predați-l într-unul dintre punctele de colectare desemnate. Pentru mai multe informații vezi: www.recyclethis.info.



Directiva 2006/66/CE și modificarea acesteia 2013/56/UE (directiva privind bateriile): Acest produs conține o baterie care nu poate fi eliminată ca deșeu municipal nesortat în Uniunea Europeană. Consultați documentația produsului pentru informații specifice despre baterie. Bateria este marcată cu acest simbol, care poate include litere pentru a indica cadmiul (Cd), plumbul (Pb) sau mercurul (Hg). Pentru o reciclare corectă, returnați bateria furnizorului dvs. sau la un punct de colectare desemnat. Pentru mai multe informații vezi: www.recyclethis.info.

Instrucțiuni de siguranță



Avertismente

Legi și reglementări

Dispozitivul trebuie utilizat în conformitate cu legile locale, reglementările privind siguranța electrică și reglementările privind prevenirea incendiilor.

Siguranță electrică

ATENȚIE: Pentru a reduce riscul de incendiu, înlocuiți numai cu siguranță de același tip și cu același curent nominal.

Acest echipament trebuie instalat împreună cu UPS pentru a evita riscul repornirii.

Baterie

Acest echipament nu este adecvat pentru utilizarea în locații în care este posibil să fie prezenți copii.

ATENȚIE: Risc de explozie dacă bateria este înlocuită cu una de tip incorect.

Înlocuirea necorespunzătoare a bateriei cu un tip incorect poate anula o protecție (de exemplu, în cazul unor tipuri de baterii cu litiu).

Nu aruncați bateria în foc sau într-un cuptor încins și nici nu striviți sau tăiați mecanic bateria, deoarece aceasta poate provoca o explozie.

Nu lăsați bateria într-un mediu înconjurător cu temperaturi extrem de ridicate, ceea ce poate duce la o explozie sau la scurgerea de lichid sau gaz inflamabil.

Nu supuneți bateria la o presiune extrem de scăzută a aerului, care poate duce la o explozie sau la scurgerea de lichid sau gaz inflamabil.

Aruncați bateriile uzate în conformitate cu instrucțiunile.



Precauții

Prevenire incendiu

Nu trebuie plasate pe echipament surse de flăcără goală, cum ar fi lumânările aprinse.

Portul serial al echipamentului este utilizat doar pentru depanare.

Suprafață fierbinte

ATENȚIE: Componente fierbinți! Degete arse la manipularea pieselor.



Acest autocolant indică faptul că articolele marcate pot fi fierbinți și nu trebuie atinse fără precauție. Așteptați o jumătate

de oră după ce opriți dispozitivul, înainte de a manipula piesele.

Dispozitivul cu acest autocolant este destinat instalării într-o locație cu acces restricționat. Accesul poate fi obținut numai de către persoanele de serviciu sau de către utilizatorii care au fost instruiți cu privire la motivele restricțiilor aplicate locației și despre orice precauții care trebuie luate.

Instalare

Instalați echipamentul conform instrucțiunilor din acest manual.

Pentru a preveni rănirea, acest echipament trebuie să fie fixat ferm pe tavan/perete, în conformitate cu instrucțiunile de instalare.

Asigurați-vă că există suficient spațiu de instalare a dispozitivului și a accesoriilor.

Asigurați-vă că perețele este suficient de rezistent pentru a suporta de cel puțin 8 ori greutatea dispozitivului și a suportului de montare.

Asigurați-vă că, înainte de a conecta, a instala sau a dezasmbla dispozitivul, acesta a fost, în prealabil, deconectat de la sursa de alimentare electrică.

Transport

Păstrați dispozitivul în ambalajul original sau similar în timpul transportului.

NU scăpați produsul și NU îl supuneți la șocuri fizice.

Alimentare electrică

Sursa de alimentare trebuie să îndeplinească cerințele sursei de alimentare limitată sau cerințele PS2 conform standardului IEC 60950-1 sau IEC 62368-1.

Consultați eticheta dispozitivului pentru sursa de

alimentare standard. Asigurați-vă că sursa de alimentare se potrivește cu dispozitivul dvs. Folosiți numai adaptorul de alimentare furnizat de producătorii calificați. Se recomandă furnizarea unui adaptor de alimentare independent, pentru fiecare dispozitiv, deoarece supraîncărcarea adaptorului poate provoca supraîncălzire sau pericol de incendiu.

Securitate sistemului

Vă rugăm să înțelegeți că aveți responsabilitatea de a configura toate parolele și alte setări de securitate ale dispozitivului și de a vă păstra numele de utilizator și parola.

Întreținere

În cazul în care produsul nu funcționează corect, vă rugăm să contactați dealerul sau cel mai apropiat centru de service. Nu ne asumăm nicio responsabilitate pentru problemele cauzate de reparații sau întreținere neautorizate.

Câteva componente ale dispozitivului (de exemplu, condensator electrolitic) necesită înlocuirea regulată. Durata medie de viață variază, deci se recomandă verificarea periodică. Contactați distribuitorul pentru detalii.

Curățarea

Vă rugăm să folosiți o cârpă moale și uscată pentru a curăța suprafețele interioare și exterioare. Nu utilizați detergenți alcalini.

Utilizarea mediului

Când utilizați orice echipament laser, asigurați-vă că lentila dispozitivului nu este expusă la raza laser, altfel se poate arde.

Nu îndreptați obiectivul la soare sau la orice altă lumină strălucitoare.

Pentru a evita acumularea de căldură, este necesară o bună ventilație pentru un mediu de funcționare adecvat.

NU expuneți dispozitivul la medii extrem de calde, reci, prăfuite, corozive, saline-alkaline sau umede.

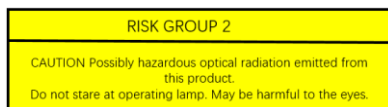
Pentru dispozitivele de exterior, temperatura de lucru trebuie să fie între -30°C și 65°C (între -22°F și 149°F), iar umiditatea de lucru trebuie să fie mai mică de 90%. Pentru dispozitivele de interior, temperatura de lucru trebuie să fie între -10°C și 50°C (între -14°F și 122°F), iar umiditatea de lucru trebuie să fie mai mică de 90%.

NU expuneți dispozitivul la radiații electromagnetice ridicate.

luminator

Asigurați-vă că în apropierea lentilelor dispozitivului nu există nicio o suprafață reflectorizantă. Lumina provenită de la dispozitiv poate fi reflectată înapoi în lentile, cauzând reflexia.

Fasciculul de lumină la distanța de 200 mm este clasificat ca grup de risc 2 (RG2) de pericol de lumină albastră retiniană, iar la distanța de 250 mm este clasificat ca grup de risc 1 (RG1). Distanța de siguranță minimă este de aproximativ 1,7 m față de dispozitiv.



Posibilă radiație optică periculoasă emisă de acest produs. IR emise de acest produs. NU priviți în sursa de lumină de operare. Poate fi dăunătoare pentru ochi.

În cazul în care nu este disponibilă o protecție adecvată sau ochelari de protecție, aprindeți lumina numai la o distanță sigură sau în zona care nu este expusă direct la lumină.

Atunci când asamblați, instalați sau întrețineți dispozitivul, NU aprindeți lumina și nu purtați protecție pentru ochi.

Pentru dispozitiv cu laser

Doar persoanele specializate pot utiliza dispozitivul cu modul laser.

NU priviți în sursa de lumină de operare. Poate fi dăunătoare pentru ochi.

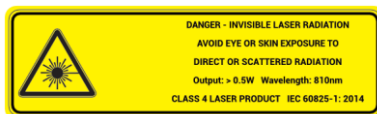
În cazul în care nu este disponibilă o protecție adecvată sau ochelari de protecție, aprindeți lumina numai la o distanță sigură sau în zona care nu este expusă direct la lumină.

Lungimea de undă de lucru a protecției ochilor ar trebui să acopere lungimea de undă de vârf a laserului, iar valoarea densității optice ar trebui să fie mai mare de OD4+.

Atunci când asamblați, instalați sau întrețineți dispozitivul, NU aprindeți lumina și nu purtați protecție pentru ochi.

Avertizare: Acest autocolant indică faptul că radiația laser emisă de dispozitiv poate provoca leziuni oculare, arsuri ale pielii sau aprinderea substanțelor inflamabile. Înainte de a activa funcția Supliment de lumină, asigurați-vă că în fața obiectivului laserului nu se află persoane sau substanțe inflamabile. Nu plasați dispozitivul acolo unde minorii îl pot prelua.

Informații laser din clasa 4



Lungime de undă: 810 nm

Divergență min. a fasciculului: 5°±0,5°

Divergență max. a fasciculului: 12°±5°

Putere max. de ieșire: 500 mW

NOHD (Distanța nominală de pericol ocular): 7 m

Urgență

Dacă de la dispozitiv apar fum, miros sau zgomot, opriți imediat alimentarea, deconectați cablul de alimentare și contactați centrul de service.

Sincronizarea orei

Setați ora dispozitivului manual când îl porniți pentru prima dată dacă ora locală nu este sincronizată cu cea a rețelei. Accesați dispozitivul prin intermediul browser-ului web/software-ului de client și mergeți la interfața pentru setările orei.

Slovenčina



Vzhľad produktu je len orientačný a môže sa líšiť od skutočného produktu.

Rozhranie (strana 8)

- ① Rozhranie alarmu a zvuku
- ② Sieťové rozhranie
- ③ RS-485
- ④ Napájanie
- ⑤ Rozhranie optického vlákna
- ⑥ Laser

O tomto dokumente

- Tento dokument obsahuje pokyny na používanie a spravovanie produktu. Obrázky, grafy, náčrty a všetky ďalšie informácie, ktoré sú v ňom uvedené, slúžia len na opis a vysvetlenie.
- Informácie uvedené v dokumente sa môžu zmeniť bez predchádzajúceho upozornenia v dôsledku aktualizácie firmvéru alebo v iných dôvodov. Najnovšiu verziu tohto dokumentu nájdete na webovej stránke spoločnosti Hikvision (<https://www.hikvision.com>). Ak nie je dohodnuté inak, spoločnosť Hangzhou Hikvision Digital Technology Co., Ltd. alebo jej pobočky (ďalej len „Hikvision“) neposkytuje žiadne záruky, výslovné ani predpokladané.
- Tento dokument používajte pod vedením a s pomocou odborníkov, ktorí sú vyškolení na poskytovanie podpory pre daný produkt.

O tomto produkte

Na tento produkt sa vzťahuje len podpora po predaji, ktorá sa poskytuje v krajine alebo regióne, kde bol zakúpený.

Potvrdenie o právach na duševné vlastníctvo

- Spoločnosť Hikvision vlastní autorské práva, resp. patenty, ktoré sa vzťahujú na technológiu zabudovanú do produktov popisovaných v tomto dokumente. Medzi ne môžu patriť licencie získané od tretích strán.
- Každá časť tohto dokumentu, vrátane textu, obrázkov, grafov atď., je vlastníctvom spoločnosti Hikvision. Žiadna časť tohto dokumentu sa bez písomného oprávnenia žiadnymi prostriedkami nesmie vyňať, kopírovať, prekladať ani modifikovať, ani vcelku, ani po častiach.
- **HIKVISION** a iné ochranné známky a logá spoločnosti Hikvision sú vlastníctvom spoločnosti Hikvision v rôznych jurisdikciách.
- Iné ochranné známky a logá sú vlastníctvom príslušných majiteľov.

PRÁVNE VYHLÁSENIE O VYLÚČENÍ ZODPOVEDNOSTI

- V MAXIMÁLNO M OŽNOM ROZSAHU, KTORÝ POVOĽUJÚ PRÍSLUŠNÉ PRÁVNE PREDPISY, SA TENTO DOKUMENT A OPÍSYVANÝ PRODUKT SPOLU S JEHO HARDVÉROM, SOFTVÉROM A FIRMVÉROM, DODÁVAJÚ V STAVE „AKO SÚ“ A „SO VŠETKÝMI PORUCHAMI A CHYBAMI“. SPOLOČNOSŤ HIKVISION NEPOSKYTUJE ŽIADNE VÝSLOVNÉ ANI PREDPOKLADANÉ ŽADKY, OKREM INÉHO VRÁTANE ZÁRUKY PRAVOSTI, USPOKOJIVEJ KVALITY ALEBO VHODNOSTI NA KONKRÉTNY ÚČEL. POUŽÍVANIE PRODUKTU JE NA VAŠE VLASTNÉ RIZIKO. SPOLOČNOSŤ HIKVISION V ŽIADNOM PRÍPADE NENESIE ZODPOVEDNOSŤ ZA ŽIADNE OSOBNÉ, NÁSLEDNÉ, NÁHODNÉ ALEBO NEPRIAME ŠKODY, OKREM INÉHO VRÁTANE ŠKŔD Z UŠĽEHO PODNIKATEĽSKÉHO ZISKU, PRAKRUŠENIA PODNIKANIA, STRATY ÚDAJOV, POŠKODENIA SYSTÉMOV ALEBO STRATY DOKUMENTÁCIE, ČI ÚZ NA ZÁKLADE PORUŠENIA ZMLUVY, PREČINU (VRÁTANE NEDBALOSTI), ZODPOVEDNOSTI ZA PRODUKT ALEBO INAK V SÚVISLOSTI S POUŽÍVANÍM PRODUKTU, A TO ANI V PRÍPADE, AK BOLA SPOLOČNOSŤ HIKVISION UPOZORNENÁ NA MOŽNOSŤ TAKÝCHTO ŠKŔD.
- UZNÁVATE, ŽE POVAHA INTERNETU UMOŽŇUJE INHERENTNÉ BEZPEČNOSTNÉ RIZIKÁ A

SPOLOČNOSŤ HIKVISION NENESIE ŽIADNU ZODPOVEDNOSŤ ZA NEŠTANDARDNÚ PREVÁDZKU, ÚNIK OSOBNÝCH ÚDAJOV ANI ZA INÉ ŠKODY V DÔSLEDKU KYBERNETICKEJ ÚTOKU, HAKERSKÉHO ÚTOKU, VÍRUSOVEJ INFEKČIE ALEBO INÝCH BEZPEČNOSTNÝCH RIZÍK SIETI INTERNET; V PRÍPADE POTREBY VŠAK SPOLOČNOSŤ HIKVISION POSKYTNE VČASNÚ TECHNICKÚ PODPORU.

- SÚHLASÍTE S POUŽÍVANÍM TOHTO PRODUKTU V SÚLADE SO VŠETKÝMI PRÍSLUŠNÝMI ZÁKONMI A NESIETE VÝHRADNÚ ZODPOVEDNOSŤ ZA ZABEZPEČENIE, ABY VAŠE POUŽÍVANIE BOLO V SÚLADE S PRÍSLUŠNÝMI ZÁKONMI. STE OBZVLÁŠŤ ZODPOVEDNÍ ZA POUŽÍVANIE TOHTO PRODUKTU SPŔSÔBOM, KTORÝ NEPORUŠUJE PRÁVA TRETÍCH STRÁN, OKREM INÉHO PRÁVA PUBLICITY, PRÁVA DUŠEVNÉHO VLASTNÍCTVA, PRÁVA NA OCHRANU ÚDAJOV A INÉ PRÁVA NA OCHRANU SÚKROMIA. TENTO PRODUKT NESMIETE POUŽÍVAŤ NA ŽIADNE ZAKÁZANÉ ÚČELY VRÁTANE VÝVOJA ALEBO VÝROBY ZBRANÍ HROMADNÉHO NIČENIA, VÝVOJA ALEBO VÝROBY CHEMICKÝCH ALEBO BIOLOGICKÝCH ZBRANÍ, AKÝCHKOLVEK AKTIVÍT V SÚVISLOSTI S AKOUKOLVEK JADROVOU VÝBUŠNINOU ALEBO NEBEZPEČNÝM CYKLOM JADROVÉHO PALIVA, ALEBO NA PODPORU ZNEUŽÍVANIA ĽUDSKÝCH PRÁV.
- V PRÍPADE AKÉHOKOLVEK NESÚĽADU MEDZI TÝMTO DOKUMENTOM A PRÍSLUŠNÝMI PRÁVNÝMI PREDPISMI MAJÚ PREDNOSŤ PRÍSLUŠNÉ PRÁVNE PREDPISY.

© Hangzhou Hikvision Digital Technology Co., Ltd.
Všetky práva vyhradené.

Regulačné informácie

Tieto ustanovenia platia len pre produkty s príslušným označením alebo údajom.

Vyhĺasenie o zhode s predpismi EÚ



Tento produkt a dodané príslušenstvo, ak je to relevantné, sú takisto označené značkou „CE“, takže v súlade

s príslušnými harmonizovanými európskymi normami uvedenými v smernici 2014/30/EÚ (EMCD) a smernici 2011/65/EÚ (RoHS).

Poznámka: Produkty so vstupným napätím v rozsahu 50 až 1000 V striedavého prúdu alebo 75 až 1500 V jednosmerného prúdu sú v súlade so smernicou 2014/35/EÚ (LVD) a ostatné produkty sú v súlade so smernicou 2001/95/ES (GPSD). Prečítajte si informácie o konkrétnom zdroji napájania.

Úplný text vyhlásenia o súlade pre EÚ je k dispozícii na tejto internetovej adrese:
<https://www.hikvision.com/en/support/compliance/declaration-of-conformity>.

Výstraha: Toto je produkt triedy A. V domácom prostredí môže tento produkt spôsobovať rádiové rušenie, v takom bude používateľ musieť vykonať primerané opatrenia.



Smernica 2012/19/EÚ (smernica o odpade z elektrických a elektronických zariadení): Produkty označené týmto symbolom sa v rámci Európskej únie nesmú likvidovať spolu s netriedeným komunálnym

odpadom. Po zakúpení ekvivalentného nového zariadenia zrecyklujte produkt tým, že ho odovzdáte miestnemu dodávateľovi alebo ho zlikvidujete na určených zberných miestach. Ďalšie informácie nájdete na lokalite: www.recyclethis.info.



Smernica 2006/66/ES a príslušné doplnenia 2013/56/EÚ (smernica o batériách): Tento produkt obsahuje

batériu, ktorá sa v rámci Európskej únie nesmie likvidovať spolu s netriedeným komunálnym odpadom. Konkrétne informácie o batérii nájdete v dokumentácii produktu. Batéria je označená týmto symbolom, ktorý môže obsahovať písmená označujúce obsah kadmia (Cd), olova (Pb) alebo ortuti (Hg). Zrecyklujte batériu tým, že ju odovzdáte dodávateľovi alebo ju zlikvidujete na určenom zbernom mieste. Ďalšie informácie nájdete na lokalite: www.recyclethis.info.

Bezpečnostné pokyny



Výstrahy

Právne predpisy a nariadenia

Zariadenie by sa malo používať v súlade s miestnymi zákonmi, predpismi o elektrickej bezpečnosti a protipožiarnymi predpismi.

Elektrická bezpečnosť

POZOR: S cieľom znížiť riziko požiaru vymeňte poistku len sa poistku rovnakého typu a parametrov.

Toto zariadenie sa má nainštalovať spolu s UPS, aby sa predišlo riziku opätovného spustenia.

Batéria

Toto zariadenie nie je vhodné na používanie na miestach, na ktorých sa môžu vyskytovať deti.

POZOR: Riziko výbuchu v prípade výmeny batérie za nesprávny typ.

Pri nevhodnej výmene batérie za nesprávny typ sa môže deaktivovať bezpečnostný prvok (napríklad pri niektorých typoch lítiových batérií).

Batériu nekladajte do ohňa alebo horúcej rúry ani ju mechanicky nedrťte ani nerezte, pretože by to mohlo spôsobiť výbuch.

Batériu nenechávajte v prostredí s mimoriadne vysokou teplotou, čo môže viesť k výbuchu alebo úniku horľavých kvapalín alebo plynov.

Batériu nevystavujte mimoriadne nízkemu tlaku vzduchu, čo môže viesť k výbuchu alebo úniku horľavých kvapalín alebo plynov.

Použitie batérie zlikvidujte podľa príslušných pokynov.



Pozor

Predchádzanie požiarom

Na zariadenie sa nesmú umiestňovať žiadne zdroje otvoreného ohňa, napríklad zapálené sviečky.

Sériový port na zariadení slúži len na servisné účely.

Horúci povrch

POZOR: Horúce súčasti! Pri manipulácii so súčastami si môžete popáliť prsty.

**WARNING
HOT SURFACE
DO NOT TOUCH**

Táto nálepka indikuje, že označená položka môže byť horúca a mali by ste sa jej dotýkať opatrne. Pred manipuláciou so súčastami vypnite zariadenie a počkajte pol hodiny.

Zariadenie s touto nálepkou je určené na inštaláciu na mieste s obmedzeným prístupom. Prístup je možné udeliť len zamestnancom servisu alebo používateľom, ktorí boli poučení o dôvodoch obmedzenia prístupu na dané miesto a o všetkých bezpečnostných opatreniach, ktoré sa musia dodržať.

Inštalácia

Zariadenie nainštalujte podľa pokynov v tejto príručke.

Aby sa predišlo zraneniu, musí byť zariadenie bezpečne pripavené k stropu/stene podľa inštaláčnych pokynov.

Uistite sa, že na inštaláciu zariadenia a príslušenstva máte dostatok miesta.

Skontrolujte, či je stena dostatočne pevná, aby udržala minimálne osemnásobok hmotnosti zariadenia a držača.

Pred pripájaním, inštaláciou alebo demontážou zariadenia sa uistite, že je odpojené napájanie.

Preprava

Pri preprave ponechajte zariadenie v pôvodnom alebo podobnom balení.

Chráňte zariadenie pred pádom alebo nárazom.

Zdroj napájania

Zdroj napájania by mal spĺňať požiadavky obmedzeného zdroja napájania alebo PS2 podľa normy IEC 60950-1 alebo IEC 62368-1.

Informácie o štandardnom zdroji napájania nájdete na štítku zariadenia. Uistite sa, že váš zdroj napájania zodpovedá požiadavkám zariadenia.

Používajte napájací adaptér dodaný niektorým z oprávnených výrobcov. Pre každé zariadenie sa odporúča zabezpečiť samostatný napájací adaptér, pretože preťaženie adaptéra môže spôsobiť prehriatie alebo požiar.

Zabezpečenie systému

Upozorňujeme, že ste zodpovední za konfiguráciu všetkých hesiel a ďalších bezpečnostných nastavení zariadenia a za uchovanie používateľského mena a hesla.

Údržba

Ak produkt nepracuje správne, obráťte sa na predajcu alebo na najbližšie servisné stredisko. Neprerábajte žiadnu zodpovednosť za problémy spôsobené neoprávnenou opravou alebo údržbou.

Niekoľko komponentov zariadenia (napr. elektrolytický kondenzátor) si vyžaduje pravidelnú výmenu. Priemerná doba životnosti sa líši, preto odporúčame pravidelnú kontrolu. So žiadosťou o ďalšie podrobnosti sa obráťte na predajcu.

Čistenie

Pri čistení vnútorných a vonkajších povrchov používajte jemnú a suchú handričku. Nepoužívajte alkalické saponáty.

Prevádzkové prostredie

Pri používaní akéhokoľvek laserového vybavenia zabezpečte, aby objektív zariadenia nebol vystavený laserovému lúču, inak sa môže vypáliť.

Šošovkou NEMIERTE na slnko ani na žiadny iný silný zdroj svetla.

Aby sa predišlo hromadeniu tepla, je potrebné dobré vetranie správneho prevádzkového prostredia.

Zariadenie NEVYSTAVUJTE extrémne horúcemu, chladnému, prašnému, koroziivnému, slanému alkalickému alebo vlhkému prostrediu.

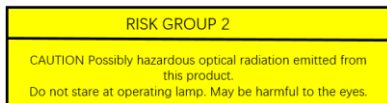
V prípade exteriérových zariadení musí byť pracovná teplota -30°C až 65°C (-22°F až 149°F) a pracovná vlhkosť nižšia ako 90 %. V prípade interiérových zariadení musí byť pracovná teplota -10°C až 50°C (-14°F až 122°F) a pracovná vlhkosť nižšia ako 90 %.

Zariadenie NEVYSTAVUJTE silnému elektromagnetickému žiareniu.

Zdroj svetla

Uistite sa, že príliš blízko k objektívu zariadenia nie je žiadny reflexný povrch. Svetlo zo zariadenia sa môže odraziť späť do objektívu a spôsobiť zrkadlenie.

Lúč tohto svetla je vzhľadom na riziko poškodenia sietečky modrým svetlom v vzdialenosti 200 mm klasifikovaný ako riziková skupina 2 (RG2) a na vzdialenosti 250 mm je klasifikovaný ako riziková skupina 1 (RG1). Minimálna bezpečná vzdialenosť od zariadenia je cca 1,7 m.



Tento produkt môže vyžarovať nebezpečné optické žiarenie. Tento produkt vyžaruje infračervené žiarenie. NEPOZERAJTE sa do zapnutého zdroja svetla. Môže to poškodiť zrak.

Ak nie je k dispozícii vhodné tienenie alebo ochrana zraku, svetlo zapínajte len v bezpečnej vzdialenosti alebo na mieste, ktoré nie je priamo vystavené svetlu.

Pri montáži, inštalácii alebo údržbe zariadenia NEZAPÍNAJTE svetlo alebo noste ochranu zraku.

Upozornenia k zariadeniam s laserom

Zariadenie s laserovým modulom môžu obsluhovať iba odborníci.

NEPOZERAJTE sa do zapnutého zdroja svetla. Môže to poškodiť zrak.

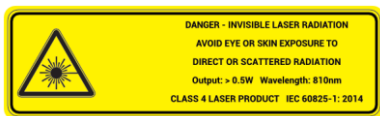
Ak nie je k dispozícii vhodné tienenie alebo ochrana zraku, svetlo zapínajte len v bezpečnej vzdialenosti alebo na mieste, ktoré nie je priamo vystavené svetlu.

Ochrana zraku musí mať funkčnú vlnovú dĺžku, ktorá pokrýva špičkovú vlnovú dĺžku lasera a hodnota jej optickej hustoty musí byť väčšia ako OD4+.

Pri montáži, inštalácii alebo údržbe zariadenia NEZAPÍNAJTE svetlo alebo noste ochranu zraku.

Výstraha: Tento štítok označuje, že laserové žiarenie vysielané zo zariadenia môže spôsobiť zranenie očí, popálenie pokožky alebo zapálenie horľavých látok. Pred zapnutím funkcie dodatočného osvetlenia skontrolujte, či sa pred laserovou šošovkou nenachádza žiadna osoba ani horľavá látka. Zariadenie nenechávajte na mieste, kde by k nemu mohli mať prístup deti.

Informácie o laserovom produkte triedy 4



Vlnová dĺžka: 810 nm

Min. rozbiehavosť lúča: $5^{\circ} \pm 0,5^{\circ}$

Max. rozbiehavosť lúča: $12^{\circ} \pm 5^{\circ}$

Max. výstup: 500 mW

NOHD (menovitá vzdialenosť ohrozenia zraku): 7 m

Núdzový režim

Ak zo zariadenia vychádza dym, zápach alebo hluk, ihneď vypnite napájanie, odpojte napájací kábel a obráťte sa na servisné stredisko.

Synchronizácia času

Ak lokálny čas nie je synchronizovaný s časom siete, nastavte čas zariadenia pre prvý prístup manuálne. Zobrazte zariadenie vo webovom prehliadači/ klientskom softvéri a prejdite do rozhrania nastavenia času.

Bahasa Indonesia

Tampilan produk hanya untuk referensi dan dapat berbeda dari tampilan produk yang sebenarnya.

Antarmuka (Halaman 8)

- ① Antarmuka Alarm & Audio
- ② Antarmuka jaringan
- ③ RS-485
- ④ Daya
- ⑤ Antarmuka serat optik
- ⑥ Laser

Tentang Dokumen ini

- Dokumen mencakup petunjuk untuk menggunakan dan mengelola Produk. Foto, diagram, gambar, dan semua informasi lain di dalam dokumen ini hanya untuk gambaran dan penjelasan.
- Informasi yang ada di dalam dokumen ini dapat berubah, tanpa pemberitahuan, akibat adanya pembaruan firmware atau sebab lain. Temukan versi terbaru Dokumen ini di situs web Hikvision (<https://www.hikvision.com>). Kecuali disepakati lain, Hangzhou Hikvision Digital Technology Co., Ltd. atau afliasinya (selanjutnya disebut sebagai "Hikvision") tidak memberikan jaminan, baik secara tersurat maupun tersirat.
- Gunakan Dokumen ini dengan panduan dan bantuan tenaga profesional yang terlatih dalam mendukung Produk ini.

Tentang Produk ini

Produk ini hanya mendukung layanan purnajual di negara atau wilayah tempat pembelian dilakukan.

Pengakuan Hak Kekayaan Intelektual

- Hikvision memiliki hak cipta dan/atau paten yang terkait dengan teknologi yang terkandung dalam Produk sebagaimana dijelaskan dalam Dokumen ini, yang dapat mencakup lisensi yang diperoleh dari pihak ketiga.
- Setiap bagian dari Dokumen, yang meliputi teks, gambar, grafik, dll., merupakan milik Hikvision. Tidak ada bagian dari Dokumen ini yang boleh dikutip, disalin, diterjemahkan, atau diubah baik secara keseluruhan maupun sebagian dengan cara apa pun tanpa izin tertulis.
- **HIKVISION** dan merek dagang serta logo

Hikvision lainnya adalah milik Hikvision di berbagai wilayah hukum.

- Merek dagang dan logo lain yang disebutkan dalam dokumen ini adalah milik pemilik yang bersangkutan.

PENAFIAN HUKUM

- SEPANJANG DIPERBOLEHKAN OLEH PERATURAN YANG BERLAKU, DOKUMEN INI DAN PRODUK YANG DIJELASKAN, BERSERTA PERANGKAT KERAS, PERANGKAT LUNAK, DAN FIRMWARE, DISEDIAKAN "SEPERTI ADANYA" DAN "DENGAN SEMUA CACAT DAN KESALAHAN". HIKVISION TIDAK MEMBERIKAN JAMINAN TERSURAT ATAU PUN TERSIRAT, TERMASUK TIDAK TERBATAS PADA, JAMINAN KOMERSIAL, KUALITAS MEMUASKAN, ATAU PUN KECOCOKAN UNTUK TUJUAN TERTENTU. PENGGUNAAN PRODUK OLEH ANDA ADALAH ATAS RISIKO ANDA SENDIRI. DALAM SEGALA HAL, HIKVISION TIDAK BERTANGGUNG JAWAB KEPADA ANDA ATAS KERUSAKAN KHUSUS, IKUTAN, INSIDENTIL, ATAU TIDAK LANGSUNG, TERMASUK, ANTARA LAIN, KERUGIAN AKIBAT HILANGNYA LABA USAHA, TERGANGGUNYA USAHA, ATAU HILANGNYA DATA, KERUSAKAN SISTEM, ATAU HILANGNYA DOKUMEN, BAIK BERDASARKAN PELANGGARAN ATAS KONTRAK, TINDAKAN MELAWAN HUKUM (TERMASUK KELALAIAN), KEWAJIBAN PRODUK, ATAU LAINNYA, TERKAIT PENGGUNAAN PERANGKAT LUNAK, MESKIPUN HIKVISION SUDAH DIBERITAHU ADANYA POTENSI KERUSAKAN ATAU KERUGIAN SEMACAM ITU.
- ANDA MENGAKUI BAHWA SIFAT INTERNET MENGHADIRKAN RISIKO KEAMANAN TIDAK TERLIHAT, DAN HIKVISION TIDAK BERTANGGUNG JAWAB ATAS ABNORMALITAS PENGOPERASIAN, KEBOCORAN PRIVASI, ATAU KERUSAKAN LAIN AKIBAT SERANGAN SIBER, SERANGAN PERETAS, INFEKSI VIRUS, DAN RISIKO KEAMANAN INTERNET LAINNYA; AKAN TETAPI, HIKVISION AKAN MENYEDIAKAN DUKUNGAN TEKNIS SECARA BERKALA JIKA DIBUTUHKAN.
- ANDA SETUJU UNTUK MENGGUNAKAN PRODUK INI DENGAN MEMATUHI SEMUA PERATURAN YANG BERLAKU DAN ANDA SECARA PRIBADI BERTANGGUNG JAWAB MEMASTIKAN PENGGUNAAN OLEH ANDA MEMATUHI PERATURAN YANG BERLAKU. SECARA KHUSUS, ANDA BERTANGGUNG JAWAB MENGGUNAKAN PRODUK DENGAN CARA YANG TIDAK MELANGGAR HAK-HAK PIHAK KETIGA, TERMASUK TANPA BATASAN PADA, HAK PUBLISITAS, HAK KEKAYAAN INTELEKTUAL, ATAU PERLINDUNGAN DATA DAN HAK PRIVASI LAINNYA. ANDA DILARANG MENGGUNAKAN PRODUK UNTUK PENGGUNAAN AKHIR YANG DILARANG, TERMASUK PENGEMBANGAN ATAU PRODUKSI SENJATA PEMUSNAH MASSAL, PENGEMBANGAN ATAU PRODUKSI SENJATA KIMIA ATAU BIOLOGIS, AKTIVITAS YANG BERHUBUNGAN DENGAN BAHAN PELEDAK NUKLIR ATAU DAUR BAHAN BAKAR NUKLIR SECARA TIDAK AMAN ATAU UNTUK MENDUKUNG PELANGGARAN HAK ASASI MANUSIA.
- JIKA TERJADI PERTENTANGAN ANTARA DOKUMEN INI DAN PERATURAN YANG BERLAKU, MAKA YANG BERLAKU ADALAH PERATURAN TERSEBUT.

© Hangzhou Hikvision Digital Technology Co., Ltd.

Hak cipta dilindungi.

Informasi Terkait Peraturan

Klausul ini hanya berlaku untuk produk yang memuat tanda atau informasi yang sesuai.

Pernyataan Kepatuhan UE



Produk ini dan, jika berlaku, juga aksesoris yang disediakan mencantumkan tanda "CE" dan oleh karena itu mematuhi standar Eropa yang diharmonisasi dan berlaku berdasarkan Direktif 2014/30/UE (EMCD) dan Direktif 2011/65/UE (RoHS).

Catatan: Produk dengan voltase masukan dalam rentang 50 hingga 1000 VAC atau 75 hingga 1500 VDC mematuhi Direktif 2014/35/UE (LVD), sementara produk lainnya mematuhi Direktif 2001/95/EC (GPSD). Harap memeriksa informasi catu daya spesifik sebagai referensi.

Teks lengkap pernyataan kesesuaian UE ini dapat ditemukan pada alamat internet berikut: <https://www.hikvision.com/en/support/compliance/declaration-of-conformity>.

Peringatan: Produk ini merupakan produk kelas A. Di lingkungan rumah tinggal, produk ini dapat menimbulkan interferensi radio, dalam kondisi tersebut pengguna mungkin diharuskan untuk mengambil langkah-langkah yang memadai.



Direktif 2012/19/UE (WEEE Directive): Produk yang bertanda simbol ini tidak boleh dibuang sebagai sampah umum yang tidak disortir di wilayah Uni Eropa. Agar dapat didaur ulang sesuai ketentuan, kembalikan produk ini ke toko terdekat saat Anda membeli peralatan pengganti yang baru, atau buang pada titik pengumpulan yang ditentukan. Untuk informasi lebih lengkap, kunjungi: www.recyclethis.info.



Direktif 2006/66/EC dan amendemennya 2013/56/UE (Direktif Baterai): Produk ini berisi baterai yang tidak boleh dibuang sebagai sampah umum yang tidak disortir di wilayah Uni Eropa. Lihat dokumentasi produk untuk informasi spesifik tentang baterai. Baterai ini ditandai dengan simbol ini, yang mungkin disertai huruf untuk menandakan kadmium (Cd), timbal (Pb), atau merkuri (Hg). Agar dapat didaur ulang sesuai ketentuan, kembalikan baterai ke toko atau titik pengumpulan yang ditentukan. Untuk informasi lebih lengkap, kunjungi: www.recyclethis.info.

Petunjuk Keselamatan



Peringatan

Undang-Undang dan Peraturan

Perangkat harus digunakan sesuai dengan undang-undang setempat, peraturan keselamatan kelistrikan, dan peraturan terkait pencegahan kebakaran.

Keamanan Elektrik

PERHATIAN: Untuk mengurangi risiko kebakaran, hanya ganti sekring dengan tipe dan rating yang sama.

Peralatan ini harus dipasang bersama dengan UPS untuk menghindari risiko memulai ulang.

Baterai

Peralatan ini tidak cocok untuk digunakan di lokasi anak-anak beraktivitas.

PERHATIAN: Risiko ledakan jika baterai diganti dengan jenis yang salah.

Penggantian baterai yang tidak tepat dengan baterai dari jenis yang salah dapat memengaruhi keamanan (misalnya, untuk beberapa jenis baterai litium).

Jangan membuang baterai ke dalam api atau oven panas, atau menghancurkan atau memotongnya secara mekanis, karena dapat menyebabkan ledakan.

Jangan meletakkan baterai di lingkungan yang bersuhu sangat tinggi, karena dapat menyebabkan ledakan atau kebocoran cairan atau gas yang mudah terbakar.

Jangan membiarkan baterai terpapar tekanan udara yang sangat rendah, karena dapat menyebabkan ledakan atau kebocoran cairan atau gas yang mudah terbakar.

Buang baterai bekas sesuai petunjuk.



Perhatian

Pencegahan Kebakaran

Jangan menempatkan sumber nyala terbuka, misalnya lilin, di atas peralatan.

Gunakan port seri peralatan untuk debugging saja.

Permukaan Panas

PERHATIAN: Komponen panas! Jari terbakar saat menangani komponen.



Stiker ini untuk mengindikasikan bahwa item yang ditandai bisa menjadi panas dan tidak boleh disentuh tanpa waktu pendinginan. Tunggu satu setengah jam setelah peralatan dimatikan sebelum menangani komponen.

Perangkat dengan stiker ini dimaksudkan untuk pemasangan pada lokasi dengan akses terbatas. Akses hanya dapat didapatkan oleh petugas layanan atau oleh pengguna yang telah mendapat instruksi tentang alasan pembatasan yang diterapkan ke lokasi tersebut dan mengenai langkah pencegahan yang harus dilakukan.

Pemasangan

Pasang peralatan sesuai petunjuk di dalam manual ini.

Untuk mencegah terjadinya cedera, peralatan ini harus dipasang dengan kuat ke plafon/dinding sesuai dengan petunjuk pemasangan.

Pastikan ada ruang yang cukup untuk memasang perangkat dan aksesorinya.

Pastikan dinding/plafon cukup kuat untuk menahan setidaknya 8 kali bobot perangkat dan dudukannya.

Pastikan aliran daya dimatikan sebelum Anda menyambung, memasang, atau membongkar perangkat.

Transportasi

Kemas perangkat dalam kemasan aslinya atau yang serupa saat memindahkannya.

Jangan menjatuhkan produk atau membuatnya terkena guncangan fisik.

Catu Daya

Sumber daya harus memenuhi ketentuan sumber daya terbatas atau PS2 menurut standar IEC 60950-1 atau IEC 62368-1.

Lihat label perangkat untuk catu daya standar. Pastikan catu daya Anda sesuai untuk perangkat Anda.

Gunakan adaptor daya yang disediakan oleh produsen yang memenuhi kualifikasi. Anda disarankan untuk menyediakan adaptor daya terpisah untuk setiap perangkat karena adaptor yang kelebihan beban dapat menjadi terlalu panas (over-heating) atau menyebabkan bahaya kebakaran.

Keamanan Sistem

Harap dipahami bahwa Anda bertanggung jawab untuk mengkonfigurasi semua kata sandi dan setelah keamanan lainnya terkait perangkat, serta menyimpan nama pengguna dan kata sandi Anda.

Pemeliharaan

Jika produk tidak berfungsi dengan baik, hubungi dealer atau pusat servis terdekat. Kami tidak bertanggung jawab atas masalah yang disebabkan oleh perbaikan atau perawatan yang tidak resmi.

Beberapa komponen perangkat (mis., kapasitor elektrolitik) harus diganti secara rutin. Masa pakai rata-rata bervariasi, jadi disarankan melakukan pemeriksaan periodik. Hubungi dealer Anda untuk informasi selengkapnya.

Pembersihan

Gunakan kain lembut dan kering untuk membersihkan permukaan bagian dalam dan bagian luar. Dilarang menggunakan detergen alkalin.

Lingkungan Penggunaan

Saat ada perangkat laser yang sedang digunakan, pastikan lensa perangkat tidak terpapar sorotan laser, karena bisa terbakar.

JANGAN mengarahkan lensa ke matahari atau cahaya terang lainnya.

Untuk menghindari akumulasi panas, diperlukan ventilasi yang baik untuk lingkungan operasional yang tepat.

JANGAN membiarkan perangkat terpapar lingkungan yang sangat panas, sangat dingin, berdebu, korosif, mengandung garam-alkali, atau lembap.

Untuk perangkat luar ruangan, suhu kerja adalah antara -30°C hingga 65°C (-22°F hingga 149°F) dan kelembapan kerja harus kurang dari 90%. Untuk perangkat dalam ruangan, suhu kerja adalah antara -10°C hingga 50°C (-14°F hingga 122°F) dan kelembapan kerja harus kurang dari 90%.

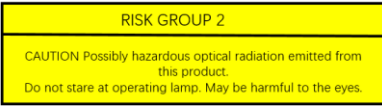
JANGAN membiarkan perangkat terpapar radiasi elektromagnetik tinggi.

Iluminator

Pastikan tidak ada permukaan reflektif yang terlalu dekat dengan lensa perangkat. Cahaya dari perangkat dapat memantul kembali ke lensa dan menyebabkan pantulan.

Berkas sinar pada jarak 200 mm masuk Grup Risiko 2 (RG2) bahaya sinar biru bagi retina, dan pada jarak

250 mm masuk Grup Risiko 1 (RG1). Jarak aman minimal adalah sekitar 1,7 m dari perangkat.



Produk ini dapat memancarkan radiasi optik berbahaya. Produk ini memancarkan IR. JANGAN memandang sumber cahaya yang menyala. Dapat membahayakan mata.

Jika pelindung atau pelindung mata yang sesuai tidak tersedia, nyalakan lampu hanya pada jarak yang aman atau di area yang tidak secara langsung terkena cahaya.

Saat merakit, memasang, atau merawat perangkat, JANGAN nyalakan lampu, atau kenakan pelindung mata.

Untuk Perangkat dengan Laser

Perangkat dengan modul laser hanya boleh dioperasikan oleh profesional.

JANGAN memandang sumber cahaya yang menyala. Dapat membahayakan mata.

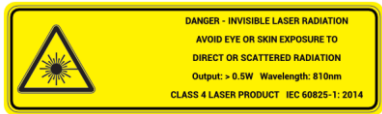
Jika pelindung atau pelindung mata yang sesuai tidak tersedia, nyalakan lampu hanya pada jarak yang aman atau di area yang tidak secara langsung terkena cahaya.

Panjang gelombang kerja pelindung mata wajib mencakup panjang gelombang puncak laser dan nilai densitas optik harus lebih besar daripada OD4+.

Saat merakit, memasang, atau merawat perangkat, JANGAN nyalakan lampu, atau kenakan pelindung mata.

Peringatan: Stiker untuk menunjukkan bahwa emisi radiasi laser dari perangkat dapat menyebabkan cedera pada mata, mem bakar kulit, atau benda mudah menyala. Sebelum mengaktifkan fungsi Tambahan Cahaya, pastikan tidak ada manusia atau zat mudah menyala di depan lensa laser. Jangan simpan perangkat di tempat yang dapat dijangkau anak kecil.

Informasi Laser Kelas 4



Panjang gelombang: 810 nm

Penyebaran Berkas Min.: $5^{\circ} \pm 0,5^{\circ}$

Penyebaran Berkas Maks.: $12^{\circ} \pm 5^{\circ}$

Output Maks.: 500 mW

NOHD (Jarak Bahaya Okular Nominal): 7 m

Darurat

Jika muncul asap, bau, atau derau dari perangkat, segera matikan perangkat, cabut kabel daya, lalu hubungi pusat servis.

SINKRONISASI WAKTU

Setel waktu perangkat secara manual untuk akses pertama kali jika waktu setempat tidak sinkron dengan waktu jaringan. Kunjungi perangkat melalui peramban web/perangkat lunak klien lalu buka antarmuka pengaturan waktu.



ပစ္စည်း ပုံသဏ္ဍာန်သည် တိုက်ားရန်အတွက်သာဖြစ်ပြီး ကုန်ပစ္စည်းအစစ်နှင့်

ကွဲပြားမှု ရှိနိုင်ပါသည်။

အင်တာဖေ့စ် (စာမျက်နှာ 8)

- ① သတိပေးချက်နှင့် အသံ အင်တာဖေ့စ်
- ② ကွန်ရက် အင်တာဖေ့စ်
- ③ RS-485
- ④ ပါဝါ
- ⑤ ဗိုင်းဘာအော်ပတစ်ကယ် အင်တာဖေ့စ်
- ⑥ လေဆာ

ဤထုတ်ကုန်အကွဲများ

- စာစောင်တွင် ထုတ်ကုန်ပစ္စည်းအား အသုံးပြုခြင်းနှင့် စီမံခြင်းဆိုင်ရာ ညွှန်ကြားချက်များ ပါရှိသည်။ ဤလမ်းညွှန်ပါ ရုပ်ပုံများ၊ ပုံပြကားချပ်များ၊ စာတိုပုံများနှင့် အခြားသတင်းအချက်အလက် အားလုံးသည် ဖော်ပြရန်၊ ရှင်းပြရန်အတွက်သာ ထည့်သွင်းထားခြင်း ဖြစ်ပါသည်။
- ဤစာစောင်၏ သတင်းအချက်အလက်များကို ဖမ်းဝဲ အပ်ဒိမ်လုပ်ခြင်းကြောင့်ဖြစ်စေ၊ အခြားအကြောင်းရင်းများကြောင့်ဖြစ်စေ ကြိုတင်အသိပေးခြင်း မရှိဘဲ ပြောင်းလဲနိုင်သည်။ Hikvision ဝက်ဘ်ဆိုက် (<https://www.hikvision.com>)တွင် ဤစာစောင်၏ နောက်ဆုံးထုတ်ပေးရင်းကို ရှာပါ။ အခြားသဘောတူထားသည် မရှိသရွေ့ Hangzhou Hikvision Digital Technology Co., Ltd. နှင့် ၎င်း၏ လက်အောက်ခံများ ("Hikvision" ဟု ဆက်လက်ခေါ်ဆိုသွားမည်) သည် အတိအလင်းဖြစ်စေ၊ သွယ်ဝိုက်၍ဖြစ်စေ လုံးဝအာမခံပေးမည် မဟုတ်ပါ။
- ယခုထုတ်ကုန်ပစ္စည်းအားကူညီထောက်မပရာတွင် လေ့ကျင့်မှုရရှိထားသော ကျွမ်းကျင်သူများ၏ လမ်းညွှန်မှုနှင့် အထောက်အပံ့တို့နှင့်အညီ ဤစာစောင်ကို အသုံးပြုပါ။

ဤထုတ်ကုန်အကြောင်း

ဤထုတ်ကုန်အား ဝယ်ယူခဲ့သည့် နိုင်ငံ၊ သို့မဟုတ် ဒေသတွင်း၌သာ ဝယ်ယူပြီးနောက်ပိုင်း ပြင်ဆင်ဝန်ဆောင်မှုများကို ရယူအသုံးပြုနိုင်မည်။

အသိဉာဏ်ပိုင်ဆိုင်မှုဆိုင်ရာ အခွင့်အရေးများအား အသိအမှတ်ပြုခြင်း

- Hikvision သည် ဤစာစောင်တွင် ဖော်ပြထားသည့် ထုတ်ကုန်များတွင် အသုံးပြုထားသည့်

နည်းပညာများနှင့် ပတ်သက်ပြီး မူပိုင်ခွင့်များ နှင့်/သို့မဟုတ် တီထွင်မှုမှတ်ပုံတင်များကို ပိုင်ဆိုင်ထားပြီး ၎င်းတို့တွင် အခြားသက်ဆိုင်သူများထံမှ ရယူထားသည့် လိုင်စင်များ ပါဝင်နိုင်သည်။

- စာသား၊ ရုပ်ပုံများ၊ ဂရပ်ဖစ်ပုံများ အစရှိသည့် ဤစာစောင်၏ အစိတ်အပိုင်းအားလုံးကို Hikvision မှ ပိုင်ဆိုင်သည်။ ဤစာစောင်၏ မည်သည့်အစိတ်အပိုင်းကိုမဆို ကြိုတင်တင်ပြခြင်းမရှိဘဲ အလုံးစုံဖြစ်စေ၊ တစ်စိတ်တစ်ပိုင်းဖြစ်စေ မည်သည့်နည်းဖြင့်မဆို ကောက်နုတ်ခြင်း၊ ကူးယူခြင်း၊ ပြန်ဆိုခြင်း၊ သို့မဟုတ် ပြင်ဆင်ခြင်းများ မရှိစေရ။
- **HIKVISION** နှင့် အခြား Hikvision ၏ ကုန်ပစ္စည်း အမှတ်တံဆိပ်များနှင့် လိုဂိုများသည် အမျိုးမျိုးသော တရားစီရင်ပိုင်ခွင့်များတွင် Hikvision ၏ ပိုင်ဆိုင်မှုများ ဖြစ်သည်။
- ဖော်ပြထားသည့် အခြား ကုန်ပစ္စည်း အမှတ်တံဆိပ်များနှင့် လိုဂိုများသည် ၎င်းတို့၏ သက်ဆိုင်ရာ ပိုင်ရှင်များ၏ ပိုင်ဆိုင်မှုများ ဖြစ်ကြပါသည်။

ဥပဒေကြောင်းဆိုင်ရာ ဖော်ထုတ်ချက်

- တည်ဆဲ ဥပဒေအရ အမြင့်ဆုံး ခွင့်ပြုထားသည့် အတိုင်းအတာ အထိ ဤစာရွက်စာတမ်းနှင့် ဖော်ပြထားသော ထုတ်ကုန်ကို ယင်း၏ ဟာဒ်ဝဲ၊ ဆော့ဖ်ဝဲ၊ နှင့် ဖမ်းစ် များနှင့်အတူ "ရှိသည့်အတိုင်း" နှင့် "ချို့ယွင်းချက်များနှင့် အမှားများနှင့်" ပေးထားသည်။ HIKVISION သည် ကန့်သတ်မှု၊ ကုန်သွယ်နိုင်စွမ်း၊ ကျေနပ်လောက်ဖွယ် အရည်အသွေး၊ သို့မဟုတ် သီးခြားရည်ရွယ်ချက် တစ်စုံတစ်ခုအတွက် ကြိုခိုင်းမှုများ မရှိခြင်း အပါအဝင် မည်သည့် အာမခံချက်များကို အတိအလင်း ဖြစ်စေ သွယ်ဝိုက်၍ ဖြစ်စေ ပေးထားခြင်း မရှိပါ။ ကုန်ပစ္စည်းအား အသုံးပြုပါက သင့်ဘာသာသင် တာဝန်ယူ ရမည်။ မည်သည့်အခြေအနေတွင်မဆို စာချုပ်ချိုးဖောက်မှုကြောင့်ဖြစ်စေ၊ အကျိုးပျက်စီးခြင်းဖြစ်စေ (ပေါ့လျော့မှု အပါအဝင်)၊ ထုတ်ကုန်ပစ္စည်း ပြဿနာ ကြောင့်ဖြစ်စေ၊ သို့မဟုတ်ပါက ဤထုတ်ကုန်ပစ္စည်းအား အသုံးပြုမှုကြောင့် ဖြစ်စေ စီးပွားရေးလုပ်ငန်း အကျိုးအမြတ် ဆုံးရှုံးမှု သို့မဟုတ် အချက်အလက် ဆုံးရှုံးမှု၊ စနစ်များ ယိုယွင်းပျက်စီးမှု သို့မဟုတ်

- စာရွက်စာတမ်း ပျက်စီး ပျောက်ဆုံးမှုကြောင့် ထိခိုက်မှုများ အပါအဝင် အထူးတလည်၊ အကျိုးဆက်စပ်၍၊ မတော်တဆ သို့မဟုတ် တိုက်ရိုက် ထိခိုက်မှုများအတွက် ထိုထိခိုက်မှု သို့မဟုတ် ဆုံးရှုံးမှုများအကြောင်း HIKVISION အား အကြံပြု အသိပေးပြီး ဖြစ်စေကာမူ HIKVISION မှ တာဝန်ယူမည် မဟုတ်ပါ။
- အင်တာနက် သဘောသဘာဝအရ တည်ရှိဆဲ လုံခြုံရေး ဘေးအန္တရာယ်များ ပေးနိုင်သည်ကို သင် အသိအမှတ်ပြုပြီး ပုံမှန်မဟုတ်သော လုပ်ငန်းလည်ပတ်မှု၊ ပုဂ္ဂိုလ်ရေးဆိုင်ရာ အချက်အလက် ပေါက်ကြားမှု သို့မဟုတ် ဆိုင်ဘာ တိုက်ခိုက်မှုများ၊ ဟက်ကာ တိုက်ခိုက်မှုများ၊ ပိုင်းရပ်စ် ကူးစက်မှု သို့မဟုတ် အခြား အင်တာနက် လုံခြုံရေး အန္တရာယ်များ၏ ရလဒ်အဖြစ် ဖြစ်ပေါ်လာသော အခြားပျက်စီးမှုများ၊ အပေါ် HIKVISION သည် တာဝန်ယူလိမ့်မည်မဟုတ်ပါ။ သို့ရာတွင် HIKVISION သည် လိုအပ်ပါက နည်းပညာပံ့ပိုးမှုကို အချိန်နှင့် တစ်ပြေးညီပေးသွားမည်။
- သင်သည် အကျိုးစင်သော ဥပဒေများနှင့် အညီ ဤကုန်ပစ္စည်းကို အသုံးပြုရန် သဘောတူညီပြီး သင်၏ အသုံးပြုမှုသည် အကျိုးစင်သော ဥပဒေနှင့် ကိုက်ညီစေရန် သင်က လုံးဝ တာဝန်ခံရမည် ဖြစ်သည်။ အထူးသဖြင့် သင်သည် ဤကုန်ပစ္စည်းကို အသုံးပြုရာတွင် အများပြည်သူ၏ အခွင့်အရေးများ၊ အသိပညာ ပိုင်ဆိုင်မှု အခွင့်အရေးများ သို့မဟုတ် အချက်အလက် ကာကွယ်ရေး နှင့် အခြား ပုဂ္ဂိုလ်ရေး ဆိုင်ရာ အချက်အလက် လုံခြုံမှု အခွင့်အရေးများ အပါအဝင် ဖြစ်သော်လည်း ယင်းတို့သာ အကန့်အသတ်မဟုတ်ဘဲ အပြင်အပ လူပုဂ္ဂိုလ် များ၏ အခွင့်အရေးများကို ချိုးဖောက်သော ပုံစံဖြင့် အသုံးပြုခြင်း မပြုရန် သင့်တွင် တာဝန်ရှိသည်။ လူ့အရအပြုလိုက် သေကြေပျက်စီးစေနိုင်သော လက်နက်များ တီထွင် ဖန်တီးခြင်း သို့မဟုတ် ထုတ်လုပ်ခြင်း၊ စာတု သို့မဟုတ် ဇီဝ လက်နက်များ တီထွင်ဖန်တီးခြင်း သို့မဟုတ် ထုတ်လုပ်ခြင်း၊ မည်သည့် ပေါက်ကွဲစေတတ်သော နူးကလီးယား လက်နက် သို့မဟုတ် ဘေးကင်းလုံခြုံမှု မရှိသော နူးကလီးယား လောင်စာ သံသရာတို့နှင့် သက်ဆိုင်သော အခြေအနေတွင် သို့မဟုတ် လူ့အခွင့်အရေး ချိုးဖောက်မှုကို ပံ့ပိုးသော လုပ်ဆောင်မှု တစ်စုံတရာ တို့ အပါအဝင် မည်သည့် အဆုံးသတ် အသုံးပြုမှု အတွက်ကိုမဆို သင်သည်

ဤကုန်ပစ္စည်းကို အသုံးပြုခြင်း မပြုရပါ။

- ဤစာရွက်စာတမ်းနှင့် တည်ဆဲ ဥပဒေအကြား ကွဲပြားခြားနားမှု တစ်ခုခုရှိလာခဲ့ပါက ဥပဒေက အတည်ဖြစ်သည်။

© Hangzhou Hikvision Digital Technology Co., Ltd.
မူပိုင်ခွင့်ရယူထားသည်။

စည်းကမ်းချက်ဆိုင်ရာ အချက်အလက်များ

ဤအပိုင်းများသည် သက်ဆိုင်ရာ အမှတ်အသား သို့မဟုတ် အချက်အလက်များ ပါရှိသော ထုတ်ကုန်များနှင့်သာ သက်ဆိုင်ပါသည်။

EU လိုက်နာရန် ထုတ်ပြန်ချက်



ဤထုတ်ကုန် နှင့် - သက်ဆိုင်ပါက- ထည့်သွင်းပါရှိသော အပိုပစ္စည်းများမှာလည်း "CE" အမှတ်အသား ပါရှိသည်။ သို့ဖြစ်ရာ 2014/30/EU (EMCD) လမ်းညွှန်ချက် နှင့် 2011/65/EU (RoHS) တို့အောက်ရှိ စာရင်း ပြုစုထားသော သက်ဆိုင်ရာ ဟန်ချက်ညီသော ဥပဒေပ စံချိန်စံညွှန်းများနှင့် ကိုက်ညီသည်။

မှတ်ချက်- 50 မှ 1000 VAC အတွင်း သို့မဟုတ် 75 မှ 1500 VDC အတွင်း အဝင်ဗို့အားရှိသော ထုတ်ကုန်များသည် လမ်းညွှန်ချက် 2014/35/EU (LVD) နှင့် ကိုက်ညီပြီး ကျန်ထုတ်ကုန်များသည် လမ်းညွှန်ချက် 2001/95/EC (GPSD) နှင့် ကိုက်ညီပါသည်။ သတ်မှတ်ထားသော ပါဝါ ပေးသွင်းမှု အချက်အလက်ကို ကိုးကားချက်များအတွက် ကျေးဇူးပြု၍ စိစစ်ပါ။

EU ထုံးတမ်းစဉ်လာ ကြေငြာစာတမ်း စာသားအပြည့်အစုံကို အောက်ပါအင်တာနက်လိပ်စာတွင် ရရှိနိုင်ပါသည်- <https://www.hikvision.com/en/support/compliance/declaration-of-conformity>.

သတ်ပေးချက်- ဤသည်မှာ အတန်းအစား A ထုတ်ကုန်ဖြစ်ပါသည်။ ဒေသတွင်း ပတ်ဝန်းကျင်တစ်ခု၌ ဤကုန်ပစ္စည်းသည် ရေဒီယိုဆက်သွယ်ရေး အနှောင့်အယှက်ကို ဖြစ်စေနိုင်သောကြောင့် အသုံးပြုသူသည် လုံလောက်သော ဆောင်ရွက်ချက်များကို လုပ်ဆောင်ရန်လိုအပ်ပါသည်။



2012/19/EU ညွှန်ကြားချက် (WEEE ညွှန်ကြားချက်)- ဤသင်္ကေတ ကပ်ထားသည့် ထုတ်ကုန်များကို

ဥပဒေပမာဏအတွင်း ရောနှောစည်ပင်အမှိုက်အနေဖြင့် စွန့်ပစ်နိုင်ခြင်း မရှိပါ။ သေချာစွာ ရီဆိုင်ကယ်လုပ်ရန်အတွက် ဤထုတ်ကုန်ပစ္စည်းကို အလားတူ ပစ္စည်းအသစ်တစ်ခု ဝယ်ယူချိန်တွင် သင့်နယ်ပုံ ပစ္စည်းရောင်းချသူထံ ပြန်ပေးပါ သို့မဟုတ် သတ်မှတ်ထားသည့် ပစ္စည်းစုဆောင်းသော နေရာများ၌ စွန့်ပစ်ပါ။ နောက်ထပ် အချက်အလက်များအတွက် ကြည့်ရှုရန်- www.recyclethis.info.



2006/66/EC ညွှန်ကြားချက်နှင့် ၎င်း၏ ပြင်ဆင်ဖြည့်စွက်ချက် 2013/56/EU

(ဘက်ထရီဆိုင်ရာ ညွှန်ကြားချက်)- ဤထုတ်ကုန်ပစ္စည်းတွင် ဥပဒေပမာဏအတွင်း ရောနှော စည်ပင်အမှိုက်အနေဖြင့် စွန့်ပစ်နိုင်ခြင်း မရှိသည့် ဘက်ထရီ တစ်လုံး ပါဝင်နေပါသည်။ ဘက်ထရီအတွက် သီးသန့်အချက် အလက်များကို ထုတ်ကုန်ပစ္စည်းပါ စာရွက်စာတမ်းများ၌ ကြည့်ပါ။ ဤဘက်ထရီကို ကတ်ဒီယမ် (Cd)၊ ခဲ (Pb) သို့မဟုတ် ပြဒါး (Hg) ဟု ညွှန်ပြမည့် စွန့်ပစ်ခြင်းပါဝင်နိုင်ကြောင်း ဤသင်္ကေတဖြင့် မှတ်သားထားပါသည်။ သေချာစွာ ရီဆိုင်ကယ်လုပ်ရန်အတွက် ဤဘက်ထရီကို သင့်နယ်ပုံ ပစ္စည်း ရောင်းချသူထံ ပြန်ပေးပါ သို့မဟုတ် သတ်မှတ်ထားသည့် စုဆောင်းသော နေရာ၌ စွန့်ပစ်ပါ။ နောက်ထပ် အချက်အလက်များအတွက် ကြည့်ရှုရန်- www.recyclethis.info.

ဘေးကင်းလုံခြုံရေးဆိုင်ရာ ညွှန်ကြားချက်



သတ်ပေးချက်များ

ဥပဒေများနှင့် လုပ်ထုံးလုပ်နည်းများ
ကိုရိုယာကို ဒေသဆိုင်ရာ ဥပဒေများ၊ လျှပ်စစ်ပစ္စည်း ဘေးကင်းလုံခြုံမှု စည်းမျဉ်းစည်းကမ်းများ နှင့် မီးဘေး ကာကွယ်ရေး စည်းမျဉ်းစည်းကမ်းများနှင့် အညီ သုံးစွဲရမည်။

လျှပ်စစ်အန္တရာယ် ဘေးကင်းရေး

သတိပြုရန်- မီးလောင်ကျွမ်းမှု အန္တရာယ်ကို လျော့ချရန်အတွက် အမျိုးအစားနှင့် အဆင့်အတန်း တူညီသည့် ဧူ၊ စီဖြင့်သာ လဲလှယ်ပေးရမည်။

ဤကိရိယာကို ပြန်စခြင်းအန္တရာယ်မှကင်းဝေးစေရန် UPS နှင့်အတူ တပ်ဆင်အသုံးပြုရမည်။

ဘက်ထရီ

ဤကိရိယာကို ကလေးများရှိနိုင်သည့် နေရာမျိုးတွင် အသုံးပြုရန် မသင့်လျော်ပါ။

သတိပြုရန်- မန်ကန်မှုမရှိသော ဘက်ထရီအမျိုးအစားဖြင့် လဲမိပါက ပေါက်ကွဲမှုဖြစ်နိုင်ပါသည်။

ဘက်ထရီကို ပုံစံမမှန်ဘဲ မှားယွင်းသော အမျိုးအစားတစ်ခုဖြင့် အသစ်လဲခဲ့ပါက safeguard ပျက်စီးနိုင်သည် (ဥပမာအားဖြင့် အချို့သော လစ်သီယမ် ဘက်ထရီအမျိုးအစားများတွင်)။

ဘက်ထရီကို ပေါက်ကွဲမှု ဖြစ်ပေါ်စေနိုင်သည့် မီးအတွင်းသို့ သို့မဟုတ် မီးဖိုအတွင်းအတွင်း သို့မဟုတ် စက်ပစ္စည်းသုံး ထုခြေခြင်း၊ သို့မဟုတ် ဖြတ်တောက်ခြင်း ဖြင့် မစွန့်ပစ်ပါနှင့်။

ဘက်ထရီကို အလွန်အမင်း မြင့်မားသည့် အပူချိန်ရှိသည့် ပတ်ဝန်းကျင်တွင် မထားပါနှင့်။ ပေါက်ကွဲမှု ဖြစ်နိုင်သည့် သို့မဟုတ် မီးလောင်လွယ်သည့် အရည် သို့မဟုတ် ဓာတ်ငွေ့များ ထွက်လာနိုင်ပါသည်။

ဤဘက်ထရီကို အလွန်နိမ့်သည့် လေဖိအားနှင့် ထိတွေ့ခြင်း မရှိစေရ။ ပေါက်ကွဲမှု ဖြစ်နိုင်သည့် သို့မဟုတ် မီးလောင်လွယ်သည့် အရည် သို့မဟုတ် ဓာတ်ငွေ့များ ထွက်လာနိုင်ပါသည်။

အသုံးပြုပြီး ဘက်ထရီများကို လမ်းညွှန်ချက်များနှင့်အညီ စွန့်ပစ်ပါ။



သတိပြုရန်

မီးဘေး ကာကွယ်ထားဆီးရေး

မီးထွန်းထားသည့် ဖယောင်းတိုင်များ ကဲ့သို့သော အကာအကွယ်မရှိသည့် မီးအရင်းအမြစ်များကို ကိရိယာအပေါ်တွင် မထားရပါ။

ကိရိယာ၏ စီရိယယ် ဆက်သွယ်မှု သည် အမှားပြင်ရန်အတွက်သာ အသုံးပြုပါသည်။

ပူနေသော မျက်နှာပြင်

သတိပြုရန်- ပူသော အစိတ်အပိုင်းများ ကိုင်တွယ်စဉ် လက်ချောင်းများ အပူလောင်စေနိုင်ပါသည်။



ဤကပ်ရွာသည် ပူနိုင်သော ပစ္စည်းကို သတ်မှတ်ပြထားပြီး သတ်မှတ်ထားပုံ မကိုင်တွယ်ရပါ။

အစိတ်အပိုင်းများကို ကိုင်တွယ်ခြင်းမပြုမီ ခလုတ်ကို ပိတ်ပြီး နာရီဝက် စောင့်ပါ။

ဤတစ်ကာပါသည် ကိရိယာကို ဝင်ရောက်မှု ကန့်သတ်ထားသော နေရာတွင် ထားရှိရပါမည်။ ကန့်သတ်နေရာဟု သတ်မှတ်ထားခြင်း အကြောင်းရင်းများအကြောင်း ညွှန်ကြားချက် ရထားသော နှင့် သတ်မှတ်ထားရမည့် ကြိုတင်ကာကွယ်မှုများအကြောင်း ညွှန်ကြားခံထားရသည့် ဝန်ဆောင်မှုပေးသူများ သို့မဟုတ် အသုံးပြုသူများကသာ ထိုနေရာသို့ ဝင်ရောက်နိုင်ပါသည်။

တပ်ဆင်ခြင်း

ဤကိရိယာကို ဤလမ်းညွှန်ပါ လမ်းညွှန်ချက်များနှင့်အညီ တပ်ဆင်ပါ။ ထိခိုက်ဒဏ်ရာ ရရှိမှုမှ ကာကွယ်ရန် ဤကိရိယာကို တပ်ဆင်ခြင်း ညွှန်ကြားချက်များနှင့်အညီ မျက်နှာကြက်/နံရံတွင် ခိုင်မြဲစွာ တပ်ဆင်ထားရမည်။ ကိရိယာနှင့် အပိုပစ္စည်းများ တပ်ဆင်ရန် နေရာလုံလောက်မှု ရှိမရှိ စစ်ဆေးပါ။ နံရံသည် ကိရိယာနှင့် စက်အထိုင်အလေးချိန်၏ အနည်းဆုံး 8 ဆကို ခံနိုင်လောက်သည်အထိ တောင့်တင်းနေရမည်။

ကိရိယာအား ဝါယာချိတ်ဆက်စဉ် တပ်ဆင်စဉ် သို့မဟုတ် ပြန်ဖြတ်နေစဉ်တွင် ပါဝါသေချာဖြတ်ထားပါ။

သယ်ယူပို့ဆောင်ရေး

ကိရိယာကို သယ်ယူပို့ဆောင်ရာတွင် မူလ သို့မဟုတ် အလားတူ ထုပ်ပိုးမှုအတိုင်း ထားပါ။ ထုတ်ကုန်ပစ္စည်းကို လွတ်မကျပါစေရန် သို့မဟုတ် တုန်ခါ၍ ဒဏ်ဖြစ်သွားခြင်း မဖြစ်စေပါနှင့်။

ပါဝါ ပေးသွင်းမှု

ပါဝါ ရင်းမြစ်သည် ကန့်သတ်ထားသော ပါဝါ အရင်းအမြစ် သို့မဟုတ် IEC 60950-1 သို့မဟုတ် IEC 62368-1 စံချိန်စံညွှန်းနှင့် အညီ PS2 လိုအပ်ချက်များကို ပြည့်မီရမည်။

စံချိန်စံညွှန်းမီ ပါဝါအဝင်အားအတွက် ကိရိယာအညွှန်းကို ဖတ်ရှုပါ။ သင်၏ ပါဝါအဝင်အားသည် သင့်ကိရိယာနှင့် ကိုက်ညီကြောင်း သေချာပါစေ။

အရည်အချင်းပြည့်မီသော ထုတ်လုပ်သူများက ပံ့ပိုးပေးသည့် ပါဝါအဒက်တာကို အသုံးပြုပါ။ ပါဝါအဒက်တာတွင် ဝန်ပို သုံးစွဲလျှင် အပူလွန်ကဲခြင်း သို့မဟုတ် မီးဘေးအန္တရာယ် ဖြစ်နိုင်သဖြင့် ကိရိယာတစ်ခုစီအတွက် ပါဝါအဒက်တာတစ်ခုစီသာ အသုံးပြုရန် အကြံပြုထားပါသည်။

စနစ် လုံခြုံရေး

သင့်အနေဖြင့် ဤကိရိယာနှင့် ပတ်သက်သည့် စကားစုကများနှင့် အခြားလုံခြုံရေး ဆက်တင်များကို ထိန်းသိမ်းသတ်မှတ်ရမည်ဖြစ်ပြီး အသုံးပြုသူအမည်နှင့် စကားစုကတို့ကို မှတ်သားထားရန် တာဝန်ရှိသည်ကို နားလည်ရန်လိုပါသည်။

ပြုပြင်ထိန်းသိမ်းခြင်း

ကိရိယာ သေချာအလုပ်မလုပ်ပါက အရောင်းဆိုင် သို့မဟုတ် အနီးဆုံး ကြံ့ခိုင်မှုစစ်ဆေးရေး စင်တာသို့ ဆက်သွယ်ပါ။ ခွင့်ပြုချက်မရှိဘဲ ပြင်ဆင်ခြင်း သို့မဟုတ် ထိန်းသိမ်းခြင်းပြင်ဆင်ခြင်းကြောင့် ဖြစ်ပွားရသည့် မည်သည့်ပြဿနာအတွက်မဆို လုံးဝတာဝန်ယူမည် မဟုတ်ပါ။

အချို့သော ကိရိယာ အစိတ်အပိုင်းများ (ဥပမာ- အီလက်ထရိုလိုက်တစ် စွမ်းရည်ထိန်း ပစ္စည်း) သည် ပုံမှန် လဲလှယ်မှု လုပ်ရန် လိုအပ်ပါသည်။ ဖျမ်းမျှ သက်တမ်း ကွာခြားမှု ရှိသဖြင့် စစ်ဆေးရန် အကြံပြုပါသည်။ အသေးစိတ်အတွက် သင့်အား ပစ္စည်းရောင်းပေးသူအား ဆက်သွယ်ပါ။

သန့်ရှင်းခြင်း

ကျေးဇူးပြု၍ အတွင်းနှင့် အပြင်မျက်နှာပြင်များကို နူးညံ့ခြောက်သွေ့သော အဝတ်ဖြင့်သာ သန့်ရှင်းရေးလုပ်ပါ။ အယ်ကာလိုင်းပါဝင်သော ဆပ်ပြာရည်များကို အသုံးမပြုပါနှင့်။

အသုံးပြုသည့် ပတ်ဝန်းကျင်

လေဆာ ကိရိယာ တစ်စုံတစ်ခုကို အသုံးပြုနေပါက ကိရိယာ၏ မှန်ဘီလူးများ လေဆာရောင်ခြည် မထိမိစေရန် သတိပြုပါ သို့မဟုတ်ပါက လောင်ကျွမ်းသွားနိုင်ပါသည်။

မှန်ဘီလူးများကို နေ သို့မဟုတ် တောက်ပသော အလင်းရောင်ရှိရာသို့ မချိန်ပါနှင့်။

အပူစုဆောင်းမှုမှ ရှောင်ရှားနိုင်ရန်အတွက် အသုံးပြုသည့် ပတ်ဝန်းကျင် သင့်လျော်ကောင်းမွန်စေရန် လေဝင်လေထွက်ကောင်းရန် လိုအပ်ပါသည်။

ကိရိယာကို ပူလွန်း၊ အေးလွန်းသော၊ ဖုန်ထူသော၊ လျှိုက်စားနိုင်သော၊ ဆားပါသည့် အယ်ကာလီ သတ္တိလွန်ကံသော သို့မဟုတ် စိုထိုင်းသော ပတ်ဝန်းကျင်များနှင့် မထိတွေ့ မိပါစေနှင့်။

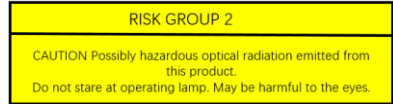
အပြင်ဘက်သုံးစက်များအတွက် အလုပ်လုပ်ဆောင်သည့် အပူချိန်သည် -30°C မှ 65°C (-22°F မှ 149°F) ဖြစ်ပြီး အလုပ်လုပ်ဆောင်သည့် စိုထိုင်းဆသည်

90%.ထက်နည်းရမည်။ အပြင်ဘက်သုံးစက်များအတွက် အလုပ်လုပ်ဆောင်သည့် အပူချိန်သည် -10°C မှ 50°C (-14°F မှ 122°F) ဖြစ်ပြီး အလုပ်လုပ်ဆောင်သည့် စိုထိုင်းဆသည် 90%.ထက်နည်းရမည်။ စက်ကို လျှပ်စစ်သံလိုက်အားမြင့်သည့် ဓာတ်ရောင်ခြည်နှင့် မထိတွေ့မိပါစေနှင့်။

ရောင်ပြန်

ကိရိယာ မှန်ဘီလူးနှင့် နီးကပ်လွန်းသော နေရာတွင် အလင်းပြန်မျက်နှာပြင် မရှိပါစေနှင့်။ ကိရိယာမူလာသော အလင်းသည် မှန်ဘီလူးဆီသို့ ရောင်ပြန်ဟပ်ကာ အလင်းပြန်ခြင်း ဖြစ်စေနိုင်ပါသည်။

200 mm အကွာအဝေးရှိ အလင်းတန်းကို မြင်လွှာအပြာရောင်အလင်းအန္တရာယ် အန္တရာယ်အုပ်စု 2 (RG2) အဖြစ် သတ်မှတ်ပြီး 250 mm အကွာအဝေးကို အန္တရာယ်အုပ်စု 1 (RG1) အဖြစ် သတ်မှတ်ထားသည်။ ဘေးကင်းစိတ်ချရသည့် အနည်းဆုံး အကွာအဝေးမှာ ကိရိယာမှ 1.7 m အကွာခန့်တွင်ဖြစ်သည်။



ဤထုတ်ကုန်ပစ္စည်းမှ ထုတ်လွှတ်သော ရောင်ခြည်သည် အမြင်အာရုံအတွက် အန္တရာယ်ရှိနိုင်ပါသည်။ ဤပစ္စည်းမှ IR ထုတ်လွှတ်သည်။ လုပ်ငန်းလုပ်ဆောင်နေသော မီးအရင်းအမြစ်ကို စိုက်မကြည့်ပါနှင့်။ မျက်စိများကို ထိခိုက်နိုင်ပါသည်။

သင့်လျော်သော အကာအရံများ သို့မဟုတ် မျက်လုံးအကာအကွယ်များ မရရှိနိုင်ပါက၊ လုံခြုံသောအကွာအဝေး သို့မဟုတ် အလင်းရောင်နှင့် တိုက်ရိုက်မထိတွေ့နိုင်သော ဧရိယာတွင်သာ မီးကိုဖွင့်ပါ။ စက်ကို ပေါင်းစပ်ခြင်း၊ တပ်ဆင်ခြင်း သို့မဟုတ် ထိန်းသိမ်းခြင်း ပြုလုပ်သည့်အခါ၊ မီးဖွင့်ပါနှင့်။ သို့မဟုတ် မျက်လုံးအကာအကွယ်ကို ဝတ်ဆင်ပါ။

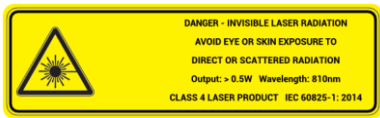
လေဆာဖြင့် စက်အတွက်

ကျွမ်းကျင်သူများသာလျှင် လေဆာမော်ကျူးပါသော စက်ပစ္စည်းကို ကိုင်တွယ်အသုံးပြုနိုင်ပါသည်။ လုပ်ငန်းလုပ်ဆောင်နေသော မီးအရင်းအမြစ်ကို စိုက်မကြည့်ပါနှင့်။ မျက်စိများကို ထိခိုက်နိုင်ပါသည်။ သင့်လျော်သော အကာအရံများ သို့မဟုတ် မျက်လုံးအကာအကွယ်များ မရရှိနိုင်ပါက၊ လုံခြုံသောအကွာအဝေး သို့မဟုတ် အလင်းရောင်နှင့် တိုက်ရိုက်မထိတွေ့နိုင်သော ဧရိယာတွင်သာ မီးကိုဖွင့်ပါ။ မျက်စိကာကွယ်ရေးအတွက် လုပ်ဆောင်နေသော လှိုင်းအလျားသည် လေဆာ၏ အထွတ်အထိပ် လှိုင်းအလျားကို

ကျော်လွန်သင့်ပြီး အမြင်အာရုံဆိုင်ရာ သိပ်သည်းဆတန်ဖိုးသည် OD4+ ထက် ပိုကြီးသင့်သည်။

စက်ကို ပေါင်းစပ်ခြင်း၊ တပ်ဆင်ခြင်း သို့မဟုတ် ထိန်းသိမ်းခြင်း ပြုလုပ်သည့်အခါ၊ မီးဖွင့်ပါနဲ့၊ သို့မဟုတ် မျက်လုံးအကာအကွယ်ကို ဝတ်ဆင်ပါ။

သတိပေးချက်- ဤစက်ပစ္စည်းမှထုတ်လွှတ်သော လေဆာရောင်ခြည်သည် မျက်စိထိခိုက်နိုင်ခြင်း၊ အသားအရည်လောင်ကျွမ်းနိုင်ခြင်း သို့မဟုတ် အရာဝတ္ထုများ မီးလောင်လွယ်နိုင်ခြင်းကိုဖြစ်စေကြောင်း ဤစတစ်ကာမှ ညွှန်းပြထားခြင်းဖြစ်ပါသည်။ Light Supplement (အလင်းထောက်ပံ့မှု) လုပ်ဆောင်ချက်ကို မသုံးမီ လေဆာမှန်ဘီလူး ရှေ့တွင် လူ သို့မဟုတ် မီးလောင်လွယ်သည့် ပစ္စည်းများ မရှိစေရန် ဂရုပြုပါ။ စက်ပစ္စည်းကို ကလေးသူငယ်များ လက်လှမ်းမီနိုင်သောနေရာတွင် မထားရပါ။ လေဆာ အဆင့် 4 အချက်အလက်



လှိုင်းအလျား- 810 nm
အနည်းဆုံး အလင်းတန်းကွဲပြားမှု- $5^\circ \pm 0.5^\circ$
အများဆုံး အလင်းတန်းကွဲပြားမှု- $12^\circ \pm 5^\circ$
အများဆုံး အထွက်- 500 mW
NOHD (Nominal Ocular အန္တရာယ်အကွာအဝေး) - 7 m

အရေးပေါ်

ကိရိယာမှ မီးခိုးငွေ့၊ ညှော်နဲ့စသည် အနံ့၊ ဆူညံသံများ ထွက်လာလျှင် ပါဝါ ချက်ချင်းပိတ်၊ ပါဝါကေဘယ် ဖြုတ်ပြီး ပြုပြင်ရေးစင်တာသို့ ဆက်သွယ်ပါ။

အချိန် ညှိခြင်း

ဒေသစံတော်ချိန်သည် ကွန်ရက်နှင့် ချိန်ညှိထားခြင်း မရှိပါက ပထမဆုံးအကြိမ်တွင် ကိရိယာ၏ အချိန်ကို ကိုယ်တိုင်တည့်သွင်းပါ။ ဝက်ဘ်ဘရောက်စ်/သုံးစွဲသူ ဆော့ဖ်ဝဲမှတစ်ဆင့် စက်ထဲ ဝင်ရောက်ပြီး အချိန်ဆက်တင်ညှိသည့် စနစ်သို့ သွားပါ။

Türkçe

Ürün görünümü ü sadece referans içindir ve gerçek ürün farklı olabilir.

Arabirim (Sayfa 8)

- ① Alarm ve Ses arabirimi
- ② Ağ arayüzü
- ③ RS-485
- ④ Güç
- ⑤ Fiber optik arabirim
- ⑥ Lazer

Bu Belge Hakkında

- Belge, Ürünün kullanımı ve yönetimi ile ilgili

talimatları içerir. Resimler, çizelgeler, görüntüler ve buradaki diğer tüm bilgiler, yalnızca tanımlama ve açıklama amaçlıdır.

- Belgede bulunan bilgiler, cihaz yazılımı güncellemeleri veya başka nedenlerden dolayı önceden haber verilmeksizin değiştirilebilir. Bu Kılavuzun en son sürümünü Hikvision web sitesinde (<https://www.hikvision.com>) bulabilirsiniz. Aksi kararlaştırılmadıkça Hangzhou Hikvision Digital Technology Co, Ltd. veya bağlı kuruluşları (bundan böyle "Hikvision" olarak anılacaktır) açık veya zımni hiçbir garanti vermez.
- Lütfen bu Kılavuzu, Ürünü destekleme konusunda eğitilmiş profesyonellerin rehberliği ve yardımı ile kullanın.

Bu Ürün Hakkında

Bu ürün, yalnızca satın alma işleminin yapıldığı ülke veya bölgede satış sonrası servis desteğinden yararlanabilir.

Fikri Mülkiyet Haklarının Kabul Edilmesi

- Hikvision, üçüncü taraflardan alınan lisanslar da dahil olmak üzere bu Belgede anlatılan Ürünlerde bulunan teknolojiyle ilgili telif haklarına ve/veya patentlere sahiptir.
- Metin, resim, grafik vb. dahil olmak üzere Belgenin her kısmı Hikvision'a aittir. Bu Belgenin herhangi bir bölümü yazılı izin alınmaksızın hiçbir şekilde kısmen veya tamamen alıntılanamaz, kopyalanamaz, tercüme edilemez veya değiştirilemez.
- **HIKVISION**, ve diğer Hikvision ticari markaları ve logoları Hikvision'ın çeşitli yargı mercilerindeki mülkleridir.
- Bahsedilen diğer ticari markalar ve logolar ilgili sahiplerinin mülkiyetindedir.

YASAL UYARI

- YÜRÜRLÜKTEKİ YASALARIN İZİN VERDİĞİ AZAMI ÖLÇÜDE, BU BELGE VE AÇIKLANAN ÜRÜN, DÖNANIMI, YAZILIMI VE ÜRÜN YAZILIMI İLE "OLDUĞU GİBİ" VE "TÜM ARIZALAR VE HATALAR İLE" SAĞLANIR. HIKVISION PAZARLANABİLİRLİK, TATMIN EDİCİ KALİTE, BELİRLİ BİR AMACA UYGUNLUK DAHİL ANCAK BUNUNLA SINIRLI OLMAMAK KAYDIYLA DOĞRUDAN VEYA DOLAYLI HERHANGİ BİR GARANTİ VERMEMEKTEDİR. ÜRÜNÜN SİZİN TARAFINIZDAN KULLANILMASIYLA İLGİLİ TÜM RİSKLER TARAFINIZA AİTTİR. HIKVISION BU TÜR HASARLARIN VEYA KAYIPLARIN OLASILIĞI HAKKINDA BİLGİLENDİRİLMİŞ OLSA BİLE BU ÜRÜNÜN KULLANIMI İLE BAĞLANTILI OLARAK SÖZLEŞME İHLALİ, (İHMAL DÂHİL) HAKSIZ FİİL, ÜRÜN YÜKÜMLÜLÜĞÜ VEYA FARKLI ZARARLAR İÇİN HİÇBİR DURUMDA SİZE KARŞI SORUMLU OLMAYACAKTIR.
- İNTERNETİN DOĞASININ DOĞAL GÜVENLİK RİSKLERİ BARINDIRDIĞINI KABUL EDİYORSUNUZ VE HIKVISION, SİBER SALDIRI, HACKER SALDIRISI, VİRÜS BULAŞMASI VEYA DİĞER İNTERNET GÜVENLİK RİSKLERİNDEN KAYNAKLANAN ANORMAL KULLANIM, GİZLİLİK SİZİNTİSİ VEYA

DİĞER ZARARLAR İÇİN HERHANGİ BİR SORUMLULUK KABUL ETMEZ; ANCAK, HIKVISION GEREKİRSE ZAMANINDA TEKNİK DESTEK SAĞLAYACAKTIR.

- BU ÜRÜNÜ YÜRÜRLÜKTEKİ TÜM YASALARA UYGUN OLARAK KULLANMAYI KABUL EDERSİNİZ VE KULLANIMINIZIN YÜRÜRLÜKTEKİ YASAYA UYGUN OLMASI SORUMLULUĞU TAMAMEN SİZE AİTTİR. ÖZELİKLE BU ÜRÜNÜ, HERHANGİ BİR SINIRLAMA OLMASIZIN TANITIM HAKLARI, FİKRİ MÜLKİYET HAKLARI VEYA VERİ KORUMA VE DİĞER GİZLİLİK HAKLARI DAHİL OLMAK ÜZERE ÜÇÜNCÜ TARAFLARIN HAKLARINI İHLAL ETMEYECEK BİR ŞEKİLDE KULLANMAKTAN SİZ SORUMLUSUNUZ. BU ÜRÜNÜ, TOPLU İMHA SİLAHLARININ GELİŞTİRİLMESİ VEYA ÜRETİMİ, KİMYASAL YA DA BİYOLOJİK SİLAHLARIN GELİŞTİRİLMESİ VEYA ÜRETİMİ, HERHANGİ BİR NÜKLEER PATLAYICI YA DA GÜVENİLİR OLMAYAN NÜKLEER YAKIT DÖNGÜSÜ VEYA İNSAN HAKLARI İHLALLERİNİN DESTEKLENMESİ DAHİL HİÇBİR YASAKLANMIŞ SON KULLANIM İÇİN KULLANMAYACAĞINIZ.
- BU BELGE İLE GEÇERLİ YASALAR ARASINDA HERHANGİ BİR ÇATIŞMA OLMASI DURUMUNDA, YASALAR GEÇERLİ OLACAKTIR.

© Hangzhou Hikvision Digital Technology Co., Ltd.
Tüm hakları saklıdır.

Mevzuat Bilgisi

Bu maddeler, yalnızca ilgili işarete veya bilgiye sahip ürünler için geçerlidir.

AB Uygunluk Beyanı



Bu ürün ve (varsa) verilen aksesuarlar da "CE" ile işaretlenmiştir ve bu nedenle 2014/30/EU (EMCD) Direktifi ve 2011/65/EU (RoHS) Direktifinde listelenen ilgili uyumlaştırılmış Avrupa standartlarına uygundur.

Not: Giriş voltajı 50 ila 1000 VAC veya 75 ila 1500 VDC arasında olan ürünler, 2014/35/EU (LVD) Direktifine, geri kalan ürünler de 2001/95/EC (GPSD) Direktifine uygundur. Referans olması için lütfen ilgili güç kaynağı bilgilerini kontrol edin.

EU uygunluk beyanının tam metnine aşağıdaki internet adresinden ulaşılabilir:
<https://www.hikvision.com/en/support/compliance/declaration-of-conformity>.

Uyarı: Bu, A sınıfı bir üründür. Ev ortamında bu ürün radyo parazitine neden olabilir, bu durumda kullanıcının uygun önlemleri alması gerekebilir.



2012/19/EU Direktifi (WEEE Direktifi): Bu sembole sahip ürünler, Avrupa

Birliği'nde ayrıştırılmamış belediye atığı olarak imha edilemez. Doğru bir geri dönüşüm için eşdeğer yeni bir ekipman aldıktan sonra bu ürünün yerel tedarikçinize iade edin veya belirlenmiş toplama noktalarına gönderin. Daha fazla bilgi için bkz: www.recyclethis.info.



2006/66/EC Direktifi ve değişiklik
2013/56/EU (batarya direktifi): Bu ürün, Avrupa Birliği'nde ayrıştırılmamış belediye atığı olarak imha edilemeyen bir pil

içermektedir. Pile özel bilgi edinmek için ürün belgelerine bakın. Pil, kadmiyum (Cd), kurşun (Pb) veya cıva (Hg) elementlerini gösteren harflerin de yer alabildiği bu sembole işaretlenmiştir. Doğru bir geri dönüşüm için pili tedarikçinize veya belirlenmiş toplama noktasına geri götürün. Daha fazla bilgi için bkz: www.recyclethis.info.

Güvenlik Talimatı



Uyarılar

Yasalar ve Yönetmelikler

Cihaz yerel yasalara, elektrik güvenliği yönetmeliklerine ve yangın önleme yönetmeliklerine uygun şekilde kullanılmalıdır.

Elektrik Güvenliği

DIKKAT: Yangın riskini azaltmak için sadece aynı tip ve değerde sigorta ile değiştirin.

Bu ekipman, yeniden başlama riskini önlemek için UPS ile kurulmalıdır.

Pil

Bu ekipman çocukların olma ihtimalinin bulunduğu yerlerde kullanım için uygun değildir.

DIKKAT: Pil yanlış bir türle değiştirildiğinde patlama riski.

Pilin yanlış türde bir pille uygun olmayan şekilde değiştirilmesi korumayı geçersiz hâle getirebilir (örneğin, bazı lityum pil türleri).

Pili ateşe veya sıcak fırına atmayın veya pili mekanik olarak patlayabilecek şekilde ezmemeyi veya kesmemeyi.

Pili, patlamaya veya yanıcı sıvı veya gaz sızıntısına neden olabilecek aşırı yüksek sıcaklıktaki bir ortamda bırakmayın.

Pili, patlamaya veya yanıcı sıvı veya gaz sızıntısına neden olabilecek aşırı düşük hava basıncına maruz bırakmayın.

Bitmış pilleri talimatlara göre atın.



İkazlar

Yangın Önleme

Ekipmanın üzerine yanan mum gibi açık alev kaynakları konulmamalıdır.

Ekipmanın seri portu sadece hata ayıklama için kullanılır.

Sıcak Yüzey

DIKKAT: Sıcak parçalar! Parçaları tutduğunuzda parmaklarınız yanabilir.



Bu çıkartma, işaretli parçanın sıcak olabileceğini ve dikkat edilmeden dokunulmaması gerektiğini belirtmektedir.

Kapattıktan sonra parçaları tutmadan önce bir buçuk saat bekleyin.

Bu çıkartmaya sahip cihaz, sınırlı bir erişim konumuna kurulum için tasarlanmıştır. Sadece servis personeli veya konuma uygulanan kısıtlamaların nedenleri ve alınması gereken önlemler hakkında bilgilendirilmiş kullanıcılar tarafından erişim sağlanabilir.

Montaj

Ekipmanı bu kılavuzdaki talimatlara göre kurun.

Yaralanmaları önlemek için bu ekipman kurulum talimatlarına göre tavana/duvara güvenli bir şekilde takılmalıdır.

Cihazı ve aksesuarları kurmak için yeterli alan olduğundan emin olun.

Duvarın, cihaz ve montaj ağırlığının 8 katına dayanacak kadar güçlü olduğundan emin olun.

Cihazı bağlamadan, kurmadan veya sökmeden önce gücün kesildiğinden emin olun.

Ulaşım

Cihazı taşıırken orijinal ambalajının veya benzer bir ambalajın içerisine koyun.

Ürünü düşürmeyin veya fiziksel darbeye maruz bırakmayın.

Güç Kaynağı

Güç kaynağı, IEC 60950-1 veya IEC 62368-1 standardına göre sınırlı güç kaynağı veya PS2 gereksinimlerini karşılamalıdır.

Standart güç kaynağı için cihaz etiketine bakın. Lütfen güç kaynağının cihazınızla eşleştiğinden emin olun.

Yetkili üreticiler tarafından sağlanan bir güç adaptörü kullanın. Adaptör aşırı yüklenmesi aşırı ısınmaya veya yangın tehlikesine neden olabileceğinden, her cihaz için bağımsız bir güç adaptörü sağlanması önerilir.

Sistem Güvenliği

Cihazla ilgili tüm parolaları ve diğer güvenlik ayarlarını yapılandırma ve kullanıcı adınızı ve parolanızı koruma sorumluluğunuz sizde olduğunu unutmayın.

Bakım

Ürün düzgün şekilde çalışmıyorsa lütfen bayiinizle veya en yakın servis merkezine iletişime geçin. Yetkisiz onarım veya bakımdan kaynaklanan sorunlar için herhangi bir sorumluluk kabul etmeyiz.

Cihazın birkaç parçası (ör. Elektrolitik kapasitör) düzenli olarak değiştirilmelidir. Ortalama parça ömrü değişiklik göstermektedir bu nedenle periyodik kontrol önerilmektedir. Ayrıntılar için satıcınızla iletişime geçin.

Temizleme

İç ve dış yüzeyleri temizlemek için lütfen yumuşak ve kuru bir bez kullanın. Alkalın deterjanlar kullanmayın.

Kullanma Ortamı

Herhangi bir lazer ekipmanı kullanılırken cihaz merceğinin, lazer ışınına maruz kalmadığından emin olun aksi takdirde yanabilir.

Lensi, güneşe veya herhangi bir parlak ışığa doğru tutmayın.

Isı birikimini önlemek için düzgün bir çalışma ortamında iyi bir havalandırma gerekmektedir.

Cihazı aşırı sıcak, soğuk, tozlu, aşındırıcı, tuzlu-alkali veya rutubetli ortamlara maruz bırakmayın.

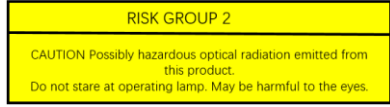
Dış mekan cihazları için çalışma sıcaklığı -30°C ila 65°C (-22°F ila 149°F) ve çalışma nemi %90'dan düşük olmalıdır. İç mekan cihazları için çalışma sıcaklığı -10°C ila 50°C (-14°F ila 122°F) ve çalışma nemi %90'dan düşük olmalıdır.

Cihazı yüksek elektromanyetik radyasyona MARUZ BIRAKMAYIN.

Aydınlatıcı

Cihazın lensine çok yakın bir yansıtıcı yüzey olmadığından emin olun. Cihazdan gelen ışık, lensin içine geri yansiyabilir ve bu durum görüntüde yansımaya neden olur.

200 mm mesafedeki ışık demeti, retinal mavi ışık tehlikesi Risk Grubu 2 (RG2) olarak sınıflandırılır ve 250 mm mesafede Risk Grubu 1 (RG1) olarak sınıflandırılır. Minimum güvenli mesafe cihazdan yaklaşık 1,7 m uzaktadır.



Bu üründen olası tehlikeli optik ışınım yayılabilir. Bu üründen kızılötesi yayılabilir. Yanan ışık kaynağına doğrudan BAKMAYIN. Gözleriniz için zararlı olabilir.

Uygun perdeleme veya göz koruması yoksa ışığı sadece güvenli bir mesafede veya ışığa doğrudan maruz kalmayan alanda açın.

Cihazı monte ederken, kurarken veya bakımını yaparken ışığı AÇMAYIN ya da göz koruması takın.

Lazerli Cihaz İçin

Cihazı lazer modülü ile sadece profesyoneller çalıştırabilir. Yanan ışık kaynağına doğrudan BAKMAYIN. Gözleriniz için zararlı olabilir.

Uygun perdeleme veya göz koruması yoksa ışığı sadece güvenli bir mesafede veya ışığa doğrudan maruz kalmayan alanda açın.

Göz koruması için çalışma dalga boyu, lazerin tepe dalga boyunu kaplamalı ve optik yoğunluk değeri OD4+’dan daha büyük olmalıdır.

Cihazı monte ederken, kurarken veya bakımını yaparken ışığı AÇMAYIN ya da göz koruması takın.

Uyarı: Bu etiket, cihazdan yayılan lazer radyasyonunun göz yaralanmalarına, cilt yanmasına veya yanıcı maddelere neden olabileceğini belirtmektedir. Işık Desteği işlevini etkinleştirmeden önce, lazer lensinin önünde hiçbir insanın veya yanıcı maddenin bulunmadığından emin olun. Cihazı küçüklerin alabileceği bir yere yerleştirmeyin.

Lazer Sınıf 4 Bilgisi



Dalga boyu: 810 nm

Min. Işın Sapması: 5°±0,5°

Maks. Işın Sapması: 12°±5°

Maks. Çıkış: 500 mW

NOHD (Nominal Oküler Tehlike Mesafesi): 7 m

Acil Durum

Cihazdan duman, koku veya ses geliyorsa hemen gücü kapatarak güç kablosunun bağlantısını kesin ve servis merkezine iletişime geçin.

Saat Senkronizasyonu

Yerel saat, ağın saatle senkronize değilse cihaz saatini ilk kez erişiminde manuel olarak ayarlayın. Web tarayıcı/istemci yazılımı ile cihaza giderek zaman ayarları arayüzüne girin.

Русский



Внешний вид изделия зависит от конкретной модели. Рисунки приведены только для справки.

Интерфейс (стр. 8)

① Интерфейс сигнализации и аудио

② Сетевой интерфейс

- ③ RS-485
- ④ Питание
- ⑤ Оптический интерфейс
- ⑥ Лазер

О данном документе

- В настоящем документе содержатся инструкции по эксплуатации изделия. Фотографии, схемы, иллюстрации и прочие материалы приведены исключительно в качестве описаний и пояснений.
- Информация, приведенная в настоящем документе, может быть изменена без предварительного уведомления в связи с обновлением микропрограммы или по другим причинам. Вы можете найти последнюю версию настоящего документа на веб-сайте компании Hikvision (<https://www.hikvision.com>). Если специально не указано иное, компания Hangzhou Hikvision Digital Technology Co., Ltd. и ее филиалы (далее совместно именуемые далее «Hikvision») не предоставляют никаких явных или подразумеваемых гарантий.
- Используйте данный документ под руководством специалистов, обученных техобслуживанию изделия.

Сведения об изделии

Послепродажная поддержка для данного изделия предоставляется только в стране или регионе, где произведена покупка.

Подтверждение прав на интеллектуальную собственность

- Hikvision владеет авторскими правами и/или патентами, имеющими отношение к технологиям, используемым в изделиях, описанных в настоящем документе. Упомянутые технологии могут включать лицензии, полученные от третьих сторон.
- Настоящий документ и все его части , включая тексты, изображения, графические элементы и т. д., принадлежит компании Hikvision. Никакая часть настоящего документа не может быть скопирована или воспроизведена, полностью или частично, без письменного разрешения вышеупомянутой компании.
- **HIKVISION** и все другие товарные знаки и логотипы Hikvision являются собственностью компании Hikvision в различных юрисдикциях.
- Другие товарные знаки и логотипы, упоминаемые в Руководстве, являются собственностью соответствующих владельцев.

ЗАЯВЛЕНИЕ ОБ ОГРАНИЧЕНИИ ОТВЕТСТВЕННОСТИ

- В МАКСИМАЛЬНОЙ СТЕПЕНИ, РАЗРЕШЕННОЙ ДЕЙСТВУЮЩИМ ЗАКОНОДАТЕЛЬСТВОМ, ДАННЫЙ ДОКУМЕНТ И ОПИСАНИЕ ИЗДЕЛИЯ ВМЕСТЕ С АППАРАТНОЙ ЧАСТЬЮ, ПРОГРАММНЫМ ОБЕСПЕЧЕНИЕМ И ВСТРОЕННОЙ МИКРОПРОГРАММОЙ ПРЕДСТАВЛЯЕТСЯ ПО ПРИНЦИПУ «КАК ЕСТЬ» И «СО ВСЕМИ НЕПОЛАДКАМИ И ОШИБКАМИ». КОМПАНИЯ HIKVISION НЕ ДАЕТ НИ ЯВНЫХ, НИ ПОДРАЗУМЕВАЕМЫХ ГАРАНТИЙ, В ТОМ ЧИСЛЕ ГАРАНТИЙ ТОВАРНОЙ ПРИГОДНОСТИ И

УДОВЛЕТВОРИТЕЛЬНОГО КАЧЕСТВА, КАК И ПРИГОДНОСТИ ДЛЯ КОНКРЕТНЫХ ЦЕЛЕЙ. ПОТРЕБИТЕЛЬ ИСПОЛЬЗУЕТ ИЗДЕЛИЕ НА СВОЙ СТРАХ И РИСК. НИ ПРИ КАКИХ ОБСТОЯТЕЛЬСТВАХ КОМПАНИЯ HIKVISION НЕ НЕСЕТ ОТВЕТСТВЕННОСТИ ПЕРЕД ПОТРЕБИТЕЛЕМ НИ ЗА ФАКТИЧЕСКИ ПОНЕСЕННЫЙ, НИ ЗА ПОСЛЕДУЮЩИЙ, КАК ПРЯМОЙ, ТАК И КОСВЕННЫЙ, УЩЕРБ, ВКЛЮЧАЯ УБЫТКИ В ВИДЕ УПУЩЕННОЙ ПРИБЫЛИ, ПЕРЕРЫВОВ В ДЕЯТЕЛЬНОСТИ, ПОТЕРИ ДАННЫХ, ДОКУМЕНТАЦИИ ИЛИ ПОВРЕЖДЕНИЯ СИСТЕМ, БУДЬ ТО ПО ПРИЧИНЕ НАРУШЕНИЯ ДОГОВОРА, ПРОТИВОПРАВНЫХ ДЕЙСТВИЙ (В ТОМ ЧИСЛЕ ХАЛАТНОСТИ), НАСТУПЛЕНИЯ ОТВЕТСТВЕННОСТИ ЗА ИЗДЕЛИЕ ИЛИ ИНЫХ ОБСТОЯТЕЛЬСТВ В СВЯЗИ С ИСПОЛЬЗОВАНИЕМ ДАННОГО ИЗДЕЛИЯ, ДАЖЕ ЕСЛИ КОМПАНИИ HIKVISION БЫЛО ИЗВЕСТНО О ВОЗМОЖНОСТИ ТАКОГО УЩЕРБА И УБЫТКОВ.

- ПОТРЕБИТЕЛЬ ОСОЗНАЕТ, ЧТО ИНТЕРНЕТ ПО СВОЕЙ ПРИРОДЕ ЯВЛЯЕТСЯ ИСТОЧНИКОМ ПОВЫШЕННОГО РИСКА БЕЗОПАСНОСТИ, И КОМПАНИЯ HIKVISION НЕ НЕСЕТ ОТВЕТСТВЕННОСТИ ЗА СБОИ В РАБОТЕ ОБОРУДОВАНИЯ, УТЕЧКУ ИНФОРМАЦИИ И ДРУГОЙ УЩЕРБ, ВЫЗВАННЫЙ КИБЕРАТАКАМИ, ХАКЕРАМИ, ВИРУСАМИ ИЛИ СЕТЕВЫМИ УГРОЗАМИ; ОДНАКО HIKVISION ОБЕСПЕЧИВАЕТ СВОЕВРЕМЕННОЮ ТЕХНИЧЕСКУЮ ПОДДЕРЖКУ, ЕСЛИ ЭТО НЕОБХОДИМО.
- ПОТРЕБИТЕЛЬ СОГЛАШАЕТСЯ ИСПОЛЬЗОВАТЬ ДАННОЕ ИЗДЕЛИЕ В СООТВЕТСТВИИ СО ВСЕМИ ПРИМЕНИМЫМИ ЗАКОНАМИ И НЕСЕТ ЛИЧНУЮ ОТВЕТСТВЕННОСТЬ ЗА ИХ СОБЛЮЖДЕНИЕ. В ЧАСТНОСТИ, ПОТРЕБИТЕЛЬ НЕСЕТ ОТВЕТСТВЕННОСТЬ ЗА ИСПОЛЬЗОВАНИЕ ДАННОГО ИЗДЕЛИЯ БЕЗ НАРУШЕНИЯ ПРАВ ТРЕТЬИХ ЛИЦ, В ТОМ ЧИСЛЕ ПРАВ НА ПУБЛИЧНОСТЬ, ИНТЕЛЛЕКТУАЛЬНУЮ СОБСТВЕННОСТЬ И ЗАЩИТУ ДАННЫХ И ДРУГИХ ПРАВ НА СОХРАНЕНИЕ КОНФИДЕНЦИАЛЬНОСТИ. ПОТРЕБИТЕЛЬ ОБЯЗУЕТСЯ НЕ ИСПОЛЬЗОВАТЬ ЭТО ИЗДЕЛИЕ В ЗАПРЕЩЕННЫХ ЦЕЛЯХ, В ТОМ ЧИСЛЕ ДЛЯ РАЗРАБОТКИ ИЛИ ПРОИЗВОДСТВА ОРУЖИЯ МАССОВОГО УНИЧТОЖЕНИЯ, ХИМИЧЕСКОГО ИЛИ БИОЛОГИЧЕСКОГО ОРУЖИЯ, ОСУЩЕСТВЛЕНИЯ КАКОЙ-ЛИБО ДЕЯТЕЛЬНОСТИ В КОНТЕКСТЕ ЯДЕРНОГО ОРУЖИЯ, НЕБЕЗОПАСНЫХ ОПЕРАЦИЙ С ЯДЕРНЫМ ТОПЛИВОМ ИЛИ ДЛЯ ПОДДЕРЖКИ НАРУШЕНИЙ ПРАВ ЧЕЛОВЕКА.
- В СЛУЧАЕ РАЗНОЧТИЙ МЕЖДУ НАСТОЯЩИМ ДОКУМЕНТОМ И ДЕЙСТВУЮЩИМ ЗАКОНОДАТЕЛЬСТВОМ, ПОСЛЕДНЕЕ ИМЕЕТ ПРИОРИТЕТ.

© Hangzhou Hikvision Digital Technology Co., Ltd.
Все права защищены.

Нормативная информация

Данные положения применяются только в том случае, если изделие снабжено соответствующей отметкой или информацией.

Декларация соответствия ЕУ



Настоящее изделие и аксессуары, входящие в комплект его поставки (при их наличии), отмечены символом «CE», который обозначает их соответствие применимым согласованным европейским стандартам, перечисленным в Директиве 2014/30/EU (EMCD) и Директиве 2011/65/EU (RoHS).

Примечание. На изделия с входным напряжением 50–1000 В переменного тока или 75–1500 В постоянного тока распространяется Директива 2014/35/EU (LVD), а на все остальные изделия — Директива 2001/95/EC (GPSD). См. характеристики конкретного источника питания.

Полный текст декларации соответствия EU опубликован в Интернете по адресу: <https://www.hikvision.com/en/support/compliance/declaration-of-conformity>.

Внимание! Данное оборудование относится к классу А. При использовании в бытовых целях данное оборудование может вызывать радиопомехи. В этом случае пользователю может потребоваться предпринять адекватные меры по их устранению.



Директива WEEE 2012/19/EU (по утилизации отходов электрического и электронного оборудования):

изделия, отмеченные этим символом, запрещено утилизировать в Европейском союзе в качестве несортированных бытовых отходов. Для надлежащей переработки возвратите это изделие местному поставщику после покупки эквивалентного нового оборудования или утилизируйте его в предназначенных для этого пунктах сбора отходов. Для получения дополнительной информации см.: www.recyclethis.info.



Директива 2006/66/EC и поправка к ней 2013/56/EU (сведения о батарее): это изделие содержит батарею,

которую запрещено утилизировать в Европейском союзе в качестве несортированных бытовых отходов. Для получения конкретной информации о батарее см. документацию к изделию. Маркировка батареи может включать в себя символы, которые обозначают ее химический состав: кадмий (Cd), свинец (Pb) или ртуть (Hg). Для надлежащей утилизации отправьте батарею местному поставщику или утилизируйте ее в специальных пунктах приема отходов. Для получения дополнительной информации см.: www.recyclethis.info.

Инструкция по технике безопасности



Предупреждения

Законодательные акты и нормативные документы

При использовании этого устройства необходимо соблюдать местное законодательство, правила

безопасной эксплуатации электрооборудования и правила противопожарной безопасности.

Электробезопасность

ОСТОРОЖНО! Для снижения риска возникновения пожара используйте для замены предохранители только соответствующего типа и номинала.

Данное устройство следует устанавливать вместе с источником бесперебойного питания (ИБП) для предотвращения перезапуска.

Батарея

Данное устройство не предназначено для использования в тех местах, где могут находиться дети.

ОСТОРОЖНО! При установке батареи недопустимого типа существует риск взрыва.

Установка батареи недопустимого типа может создать угрозу для безопасности (например, в случае некоторых типов литиевых батарей).

Не бросайте батарею в огонь или горячую печь, не сдавливайте и не разрезайте батарею, поскольку это может привести к взрыву.

Нахождение батареи в среде с чрезвычайно высокой температурой может привести к взрыву или к утечке горючей жидкости или газа.

Нахождение батареи в среде с чрезвычайно низким давлением воздуха может привести к взрыву или к утечке горючей жидкости или газа.

Утилизируйте использованные батареи в соответствии с инструкциями.



Предостережения

Предотвращение пожара

Не ставьте на устройство источники открытого огня, например горящие свечи.

Последовательный порт оборудования предназначен только для отладки.

Горячая поверхность

ОСТОРОЖНО! Горячие детали! Опасность ожога пальцев при обращении с деталями.



Эта наклейка указывает на то, что данный компонент может быть горячим, и его нельзя трогать не предприняв

соответствующих мер предосторожности. Перед прикосновением к деталям устройства подождите полчаса после его выключения.

Устройство с этой наклейкой предназначено для установки в зонах с ограниченным доступом. Доступ в эти зоны могут иметь только специалисты по техобслуживанию или пользователи, осведомленные о причинах ограничения доступа в эти зоны и о необходимых мерах предосторожности.

Установка

Установите оборудование в соответствии с инструкциями, приведенными в настоящем руководстве.

Во избежание травм устройство необходимо надежно закрепить на потолке или стене согласно инструкциям по установке.

Убедитесь в наличии достаточного места для установки устройства и аксессуаров.

Убедитесь, что стена достаточно прочная, чтобы

выдержать 8-кратный вес устройства и его крепления.

Прежде чем подключать кабели, устанавливать или разбирать устройство, убедитесь, что питание отключено.

Транспортировка

Используйте оригинальную или схожую упаковку для транспортировки устройства.

Не роняйте и не ударяйте устройство.

Электропитание

источник питания должен соответствовать требованиям к ограниченному напряжению питания или требованиям PS2 согласно стандарту IEC 60950-1 или IEC 62368-1.

Стандартные параметры источника питания указаны на этикетке устройства. Убедитесь, что параметры источника питания соответствуют параметрам вашего устройства.

Используйте адаптер питания, поставляемый сертифицированным изготовителем. Рекомендуется использовать отдельные адаптеры питания для каждого устройства, так как перегрузка адаптера может привести к перегреву и/или возникновению пожара.

Безопасность системы

Помните, что вы несете ответственность за конфигурирование всех паролей и прочих параметров безопасности устройства, а также за сохранность своего имени пользователя и пароля.

Техническое обслуживание

Если изделие не работает должным образом, обратитесь к дилеру или к специалистам ближайшего сервисного центра. Компания-изготовитель не несет ответственности за неисправности, возникшие в результате несанкционированного ремонта или технического обслуживания.

Некоторые компоненты устройства (например, электролитические конденсаторы) требуют регулярной замены. Средний срок службы этих компонентов может различаться, поэтому советуем периодически их проверять. Подробности уточняйте у продавца.

Очистка

Для очистки внутренних и наружных поверхностей используйте мягкую и сухую ткань. Не используйте щелочные моющие средства.

Требования к рабочей среде

При использовании любого лазерного оборудования убедитесь, что в объектив устройства не попадает лазерный луч, иначе он может выгореть.

Не направляйте объектив устройства на солнце или другие яркие источники света.

Для обеспечения надлежащих условий эксплуатации и предотвращения перегрева требуется хорошая вентиляция.

ЗАПРЕЩАЕТСЯ устанавливать устройство в условиях воздействия экстремально высоких или низких температур, пыли, коррозионных, солевых и щелочных веществ, а также во влажной среде.

Для устройств для наружной установки рабочая температура должна быть в диапазоне от -30°C до 65°C, а влажность ниже 90%. Для устройств для помещений рабочая температура должна быть в

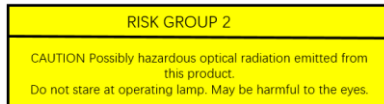
диапазоне от -10°C до 50°C, а влажность ниже 90%.

ЗАПРЕЩАЕТСЯ устанавливать устройство в условиях воздействия сильного электромагнитного излучения.

Освещение

Убедитесь, что возле объектива нет отражающих поверхностей. Свет от устройства может отразиться в объектив, что приведет к засветке.

По опасности, создаваемой синим светом для сетчатки, луч света на расстоянии 200 мм классифицируется как группа риска 2 (RG2), а на расстоянии 250 мм — как группа риска 1 (RG1). Минимальное безопасное расстояние составляет около 1,7 м от устройства.



Данное изделие может испускать опасное оптическое излучение. Данное изделие испускает инфракрасное излучение. ЗАПРЕЩАЕТСЯ смотреть на работающий источник света. Это может быть вредно для глаз.

Если соответствующая защита для глаз недоступна, включайте свет только на безопасном расстоянии или в области, которая непосредственно не подвергается воздействию света.

НЕ включайте свет или пользуйтесь средствами защиты глаз во время сборки, установки или обслуживания устройства.

Для лазерного устройства

Только специалисты могут управлять устройством с лазерным модулем.

ЗАПРЕЩАЕТСЯ смотреть на работающий источник света. Это может быть вредно для глаз.

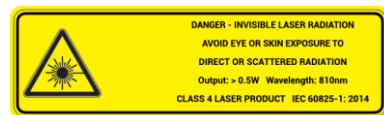
Если соответствующая защита для глаз недоступна, включайте свет только на безопасном расстоянии или в области, которая непосредственно не подвергается воздействию света.

Показатель рабочей длины волны, на которую рассчитано СИЗ органов зрения, должен превышать пиковую длину волны лазера, а значение оптической плотности должно превышать OD4+.

НЕ включайте свет или пользуйтесь средствами защиты глаз во время сборки, установки или обслуживания устройства.

Внимание! Эта наклейка указывает на то, что лазерное излучение данного устройства может привести к травмам глаз, ожогам кожи или возгоранию легковоспламеняющихся веществ. Перед включением функции дополнительной подсветки убедитесь, что перед лазерным объективом не находятся люди или легковоспламеняющиеся вещества. Не устанавливайте устройство в местах, где его могут достать дети.

Информация о лазере класса 4



Длина волны: 810 нм

Мин. дивергенция луча: 5°±0,5°

Макс. дивергенция луча: 12°±5°

Макс. выход: 500 мВт

Максимально допустима доза на номінальному небезпечному відстані для очей (NOHD): 7 м

Кнопка подачі екстреного сигналу тривоги

При появленні диму, необычного запаху або шуму негайно відключіть живлення пристрою, ізвлекіть вилку кабелю живлення з розетки і зверніться в сервісний центр.

Синхронізація часу

Якщо локальний час не синхронізований з мережевим часом, виконайте ручну налаштування часу пристрою при першому доступі. Відвідайте в системі управління через веб-браузер або клієнтське ПО і перейдіть в інтерфейс налаштувань часу.

Українська



Зовнішній вигляд виробу зображено лише для довідки; вигляд фактичного виробу може відрізнятися.

Роз'єми (сторінка 8)

- ① Роз'єм аварійної сигналізації та аудіо
- ② Мережевий роз'єм
- ③ RS-485
- ④ Живлення
- ⑤ Роз'єм оптоволоконного каналу
- ⑥ Лазер

Про цей документ

- Цей документ містить указівки з використання виробу й керування ним. Рисунок, діаграма, зображення та вся інша інформація в цьому документі надається лише для опису та пояснення.
- Інформація, що міститься в документі, може змінюватися без попередження внаслідок оновлення прошивки чи з інших причин. Останню редакцію документа можна знайти на веб-сайті компанії Hikvision (<https://www.hikvision.com>). Якщо не погоджено інше, Hangzhou Hikvision Digital Technology Co., Ltd. або її афілійовані особи (далі – «Hikvision») не надає жодних явних або очікуваних гарантій.
- Використовуйте цей документ під наглядом фахівців, які навчені обслуговувати виріб.

Про виріб

Цей виріб може отримати післяпродажну підтримку тільки в країні або регіоні, де він був придбаний.

Визнання прав інтелектуальної власності

- Hikvision володіє авторськими правами та/або патентами на технології, впроваджені у виріб й описані в цьому документі, що може включати ліцензії, отримані від третіх сторін.
- Будь-яка частина цього документа, в т.ч. текст, рисунки, графіки тощо, належить Hikvision. Жодну частину цього документу не можна виокремлювати, копіювати, перекладати або змінювати повністю або частково жодними засобами без письмового дозволу.
- **HIKVISION** та інші торгові марки компаній Hikvision і логотипи є власністю компанії

Hikvision у різних юрисдикціях.

- Інші згадувані торгові марки й логотипи є власністю їх відповідних власників.
- ### ЗАЯВА ПРО ВІДМОВУ ВІД ВІДПОВІДАЛЬНОСТІ
- У МАКСИМАЛЬНИХ МЕЖАХ, ДОВОЗЛЕНИХ ЗАСТОСУВАННЯМ ЗАКОНОМ, ЦЕЙ ДОКУМЕНТ ТА ОПИСАНИЙ ВИРІБ З ЙОГО АПАРАТНИМ ЗАБЕЗПЕЧЕННЯМ, ПРОГРАМНИМ ЗАБЕЗПЕЧЕННЯМ ТА МІКРОПРОГРАМНИМ ЗАБЕЗПЕЧЕННЯМ НАДАЮТЬСЯ НА УМОВАХ «ЯК Є» ТА «З УСІМА НЕДОЛІКАМИ ТА ПОМИЛКАМИ». HIKVISION НЕ НАДАЄ ЖОДНИХ ГАРАНТІЙ, ЯВНИХ АБО ОЧІКУВАНИХ, ВКЛЮЧАЮЧИ, БЕЗ ОБМЕЖЕНЬ, КОМЕРЦІЙНІ ЯКОСТІ, ЗАДОВІЛЬНУ ЯКОСТІ АБО ПРИДАТНІСТЬ ДЛЯ ХАРАКТЕРНОЇ МЕТИ. ВИКОРИСТАННЯ ВИРОБУ ВІДБУВАЄТЬСЯ НА ВАШ ВЛАСНИЙ РИЗИК. КОМПАНІЯ HIKVISION НІ В ЯКОМУ РАЗІ НЕ НЕСЕ ВІДПОВІДАЛЬНОСТІ ПЕРЕД ВАМИ ЗА БУДЬ-ЯКІ СПЕЦІАЛЬНІ, ЛОГІЧНО ВИТІКАЮЧІ, ВИПАДКОВІ АБО НЕПРЯМІ ЗБИТКИ, ВКЛЮЧАЮЧИ, КРИМ ІНШОГО, ПОШКОДЖЕННЯ, ВО ВЕДУТЬ ДО ВТРАТИ КОМЕРЦІЙНОГО ПРИБУТКУ, ПЕРЕРИВАННЯ ДІЛОВОЇ АКТИВНОСТІ АБО ВТРАТИ ДАНИХ, ПСУВАННЯ СИСТЕМ АБО ВТРАТИ ДОКУМЕНТАЦІЇ, НЕВАЖЛИВО, ЧИ ВНАСЛІДОК ПОРУШЕННЯ КОНТРАКТУ, ЦИВІЛЬНОГО ПРАВОПОРУШЕННЯ (ВКЛЮЧАЮЧИ НЕДБАЛИСТЬ), ВІДПОВІДАЛЬНОСТІ ЗА ВИРІБ, АБО ІНШИМ ЧИНОМ, ПОВ'ЯЗАНИХ З ВИКОРИСТАННЯМ ВИРОБУ, НАВІТЬ ЯКЩО КОМПАНІЯ HIKVISION ПОВІДОМЛЯЛА ПРО МОЖЛИВІСТЬ ТАКИХ ЗБИТКІВ АБО ВТРАТ.
 - ВИ УСВІДОМЛЮЄТЕ, ЩО ПРИРОДА ІНТЕРНЕТУ НЕСЕ ПРИТАМАННІ РИЗИКИ ДЛЯ БЕЗПЕКИ, І КОМПАНІЯ HIKVISION НЕ БЕРЕ НА СЕБЕ НІЯКОЇ ВІДПОВІДАЛЬНОСТІ ЗА НЕНОРМАЛЬНУ РОБОТУ, ВТРАТУ КОНФІДЕНЦІЙНОСТІ АБО ІНШІ ЗБИТКИ В РЕЗУЛЬТАТІ КІБЕР-АТАК, ХАКЕРСЬКИХ АТАК, ЗАРАЖЕНЬ ВІРУСАМИ АБО ІНШИХ РИЗИКІВ ДЛЯ БЕЗПЕКИ В ІНТЕРНЕТІ, ОДНАК, КОМПАНІЯ HIKVISION В РАЗІ НЕОБХІДНОСТІ НАДАЄТЬ СВОЄЧАСНУ ТЕХНІЧНУ ПІДТРИМКУ.
 - ВИ ПОГОДЖУЄТЕСЬ ВИКОРИСТОВУВАТИ ЦЕЙ ВИРІБ У ВІДПОВІДНОСТІ ДО ВСІХ ЗАСТОСУВАНИХ ЗАКОНІВ, І ВИ НЕСЕТЕ ОДНООСІБНУ ВІДПОВІДАЛЬНІСТЬ ЗА ЗАБЕЗПЕЧЕННЯ ВИКОРИСТАННЯ ВИРОБУ ВІДПОВІДНО ДО ЗАСТОСУВАНОВОГО ЗАКОНУ. ЗОКРЕМА, ВИ НЕСЕТЕ ВІДПОВІДАЛЬНІСТЬ ЗА ВИКОРИСТАННЯ ЦЬОГО ВИРОБУ СПОСОБОМ, ЯКИЙ НЕ ПОРУШУЄ ПРАВА ТРЕТІХ СТОРІН, ВКЛЮЧАЮЧИ, БЕЗ ОБМЕЖЕНЬ, ПРАВА РОЗГЛОШЕННЯ, ПРАВА ІНТЕЛЕКТУАЛЬНОЇ ВЛАСНОСТІ ТА ІНШІ ПРАВА ЩОДО КОНФІДЕНЦІЙНОСТІ. ВИ НЕ ПОВИННІ ВИКОРИСТОВУВАТИ ЦЕЙ ВИРІБ ДЛЯ БУДЬ-ЯКОГО ЗАБОРОНЕНОГО КІНЦЕВОГО ПРИЗНАЧЕННЯ, ВКЛЮЧАЮЧИ РОЗРОБКУ ЧИ ВИРОБНИЦТВО ЗБРОЇ МАСОВОГО ЗНИЩЕННЯ, РОЗРОБКУ ЧИ ВИРОБНИЦТВО ХІМІЧНОЇ АБО БІОЛОГІЧНОЇ ЗБРОЇ, БУДЬ-ЯКІ ДІЇ В КОНТЕКСТІ, ПОВ'ЯЗАНОМУ З ЯДЕРНОЮ ВИБУХОВОЮ РЕЧОВИНОЮ АБО НЕБЕЗПЕЧНИМ ЯДЕРНИМ ПАЛИВИМ ЦИКЛОМ, АБО НА ПІДТРИМКУ ПОРУШЕНЬ ПРАВ ЛЮДИНИ.
 - У РАЗІ ВИНИКНЕННЯ БУДЬ-ЯКИХ СУПЕРЕЧНОСТЕЙ МІЖ ЦИМ ДОКУМЕНТОМ І ЧИННИМ ЗАКОНОДАВСТВОМ БІЛЬШУ

Нормативна інформація

Ці положення застосовуються лише до продуктів, які мають відповідний знак або інформацію.

Декларація відповідності нормативним вимогам ЄС



Цей виріб й аксесуари до нього (якщо є в комплекті) мають маркування «СЕ», а тому відповідають чинним

гармонізованим європейським стандартам, переліченим у Директиві з електромагнітної сумісності (EMCD) 2014/30/ЄС і Директиві щодо обмеження використання шкідливих речовин (RoHS) 2011/65/ЄС.

Примітка: Продукти з вхідною напругою від 50 до 1000 В змінного струму або від 75 до 1500 В постійного струму відповідають Директиві 2014/35/ЄС (LVD), а решта продуктів відповідає Директиві 2001/95/ЄС (GPSD). Щоб дізнатися напевно, перевірте інформацію про джерело живлення.

Повний текст декларації про відповідність нормативним вимогам ЄС можна знайти за адресою:
<https://www.hikvision.com/en/support/compliance/declaration-of-conformity>.

Увага! Це виріб класу А. У побутових умовах цей виріб може створювати радіоперешкоди, що може вимагати від користувача життя належних заходів.



Директива з утилізації електричного й електронного обладнання (WEEE) 2012/19/ЄС: Вироби, помічені цим

символом, не можна утилізувати у Європейському Союзі як несортвані побутові відходи. Щоб забезпечити правильну переробку цього виробу, поверніть його місцевому постачальнику під час придбання аналогічного нового обладнання, або здайте його до спеціально призначеного пункту збирання відходів. Докладну інформацію дивіться на сайті: www.recyclethis.info.



Директива 2006/66/ЄС із поправками 2013/56/ЄС (директива щодо акумуляторів): Цей виріб містить

батарею, яку не можна утилізувати в Європейському Союзі як несортвані побутові відходи. Інформацію щодо батареї див. у документації до виробу. Батарея помічена цим символом, який може включати букви, що вказують на наявність кадмію (Cd), свинцю (Pb) або ртуті (Hg). Щоб забезпечити правильну переробку батареї, поверніть її постачальнику або здайте до спеціалізованого пункту збирання відходів. Докладну інформацію дивіться на сайті: www.recyclethis.info.

Указівки з техніки безпеки



Увага!

Законои та норми

Пристрій слід використовувати з дотриманням місцевих законів, електротехнічних норм та правил протипожежної безпеки.

Електрична безпека

ОБЕРЕЖНО! Для зменшення ризику пожежі замінюйте лише на запобіжник такого ж типу та з такими ж характеристиками.

Це обладнання має встановлюватися разом із джерелом безперебійного живлення (ДБЖ) задля запобігання ризику вимкнення й перезавантаження.

Батарея

Це обладнання не підходить для використання в місцях, де можуть перебувати діти.

ОБЕРЕЖНО! Встановлення батареї невідповідного типу може призвести до вибуху.

Встановлення батареї невідповідного типу може призвести до порушення системи захисту (зокрема, у разі використання літійових батарей деяких типів).

Не кидайте батарею у вогонь або в гарячу піч, не розбивайте та не розрізуйте її. Це може призвести до вибуху.

Не залишайте батарею в місцях із дуже високою температурою. Це може призвести до вибуху або витoku вогнебезпечної рідини або газу.

Не залишайте батарею в місцях із дуже низьким атмосферним тиском. Це може призвести до вибуху або витoku вогнебезпечної рідини або газу.

Утилізуйте використані батареї згідно з інструкціями.



Обережно!

Запобігання пожежі

Забароняється розміщувати на обладнанні джерела відкритого вогню, як-от свічки, які горять. Послідовний порт обладнання використовується лише для налагодження.

Гаряча поверхня

ОБЕРЕЖНО! Гарячі деталі! Будьте обережні, щоб не обпекти пальці о деталі.

**WARNING
HOT SURFACE
DO NOT TOUCH**

Ця етикетка означає, що деталь може нагріватися, і тому її не слід торкатися, не вживши застережних заходів.

Після вимкнення живлення зачекайте півгодини, перш ніж торкатися цих деталей.

Пристрій із цією наклейкою призначений для встановлення в місцях з обмеженим доступом. Доступ можуть отримати лише працівники сервісної служби або користувачі, яким роз'яснено причини таких обмежень і необхідні заходи безпеки.

Установлення

Установлюйте обладнання відповідно до вказівок у цій інструкції.

Щоб уникнути травм, це обладнання слід надійно

закріпити на стелі/стіні відповідно до вказівок щодо встановлення.

Забезпечте достатньо місця для встановлення пристрою та додаткового приладдя.

Переконайтеся, що стіна достатньо міцна, щоб витримувати вагу, у 8 разів більшу за вагу пристрою та кріплення.

Перш ніж під'єднувати, встановлювати або розбирати пристрій, переконайтеся, що живлення від'єднано.

Транспортування

Під час транспортування зберігайте пристрій в оригінальному або подібному пакуванні.

Не допускайте падіння виробу або впливу на нього механічних ударів.

Живлення

джерело живлення має відповідати вимогам до джерел живлення обмеженої потужності або P52 згідно зі стандартом IEC 60950-1 або IEC 62368-1.

Стандартне джерело живлення див. на етикетці пристрою. Переконайтеся, що джерело живлення відповідає вашому пристрою.

Використовуйте адаптер живлення сертифікованих виробників. Рекомендується забезпечити незалежний адаптер живлення для кожного пристрою, оскільки перевантаження адаптера може спричинити перегрівання або пожежу.

Безпека системи

Усвідомте, що ви несете відповідальність за налаштування всіх паролів та інших параметрів безпеки пристрою, а також за збереження свого імені користувача та пароля.

Технічне обслуговування

Якщо виріб не працює належним чином, зверніться до вашого дилера або найближчого сервісного центру. Ми не несемо жодної відповідальності за проблеми, які виникли внаслідок незатриманого ремонту чи догляду.

Пристрій містить декілька компонентів (наприклад, електrolітичний конденсатор), які необхідно регулярно замінювати. Середній термін служби різніться, тому рекомендується регулярно перевіряти ці компоненти. Для додаткової інформації звертайтеся до вашого дилера.

Чищення

Для чищення внутрішніх і зовнішніх поверхонь використовуйте м'яку суху тканину. Не використовуйте лужні миючі засоби.

Умови експлуатації

Під час використання будь-якого лазерного обладнання слідкуйте за тим, щоб лазерний промінь не потрапляв на об'єкти пристрою, адже це може призвести до його перегорання.

Не спрямовуйте об'єкти на сонце або інші джерела яскравого світла.

Щоб уникнути накопичення тепла, у належному робочому середовищі потрібна хороша вентиляція.

НЕ використовуйте пристрій у надзвичайно спекотному, холодному, запиленому, корозійному, сольово-лужному або вологому середовищі.

Для пристроїв, що встановлюються надворі, робоча температура повинна становити від -30°C

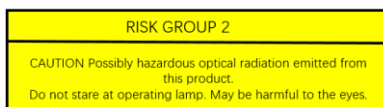
до 65°C (від -22°F до 149°F), робоча вологість повітря повинна бути меншою за 90%. Для пристроїв, що встановлюються всередині приміщень, робоча температура повинна становити від -10°C до 50°C (від -14°F до 122°F), робоча вологість повітря повинна бути меншою за 90%.

НЕ піддавайте пристрій впливу сильного електромагнітного випромінювання.

Джерело світла

Переконайтеся, що поблизу об'єкта пристрою немає поверхонь, що відбивають світло. Світло з пристрою може відбиватися в об'єкти та спричинити відблиски.

Промінь світла на відстані 200 мм належить до групи ризику 2 (RG2) і становить для сітківки ока небезпеку, притаманну синьому діапазону випромінювання; промінь світла на відстані 250 мм належить до групи ризику 1 (RG1). Мінімальна безпечна відстань до пристрою становить приблизно 1,7 м.



Цей виріб може генерувати небезпечне оптичне випромінювання. Цей виріб є джерелом інфрачервоного випромінювання. НЕ ДИВІТЬСЯ на ввімкнене джерело світла. Це може зашкодити очам.

Якщо під час установлення або обслуговування пристрою відсутнє екранування або захист органів зору, вмикайте світло, лише коли перебуваєте на безпечній відстані або в зоні, яка не піддається прямому впливу світла.

Під час збирання, встановлення або технічного обслуговування пристрою НЕ вмикайте світло або використовуйте засоби захисту органів зору.

Для пристроїв із лазером

Працювати з пристроєм, оснащеним лазерним модулем, можуть тільки кваліфіковані фахівці.

НЕ ДИВІТЬСЯ на ввімкнене джерело світла. Це може зашкодити очам.

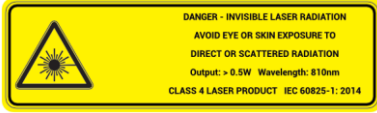
Якщо під час установлення або обслуговування пристрою відсутнє належне екранування або захист органів зору, вмикайте світло, лише коли перебуваєте на безпечній відстані або в зоні, яка не піддається прямому впливу світла.

Робоча довжина хвилі засобів захисту органів зору повинна відповідати довжині хвилі лазера з максимальною інтенсивністю випромінювання, а значення їхньої оптичної щільності повинне перевищувати OD4+.

Під час збирання, встановлення або технічного обслуговування пристрою НЕ вмикайте світло або використовуйте засоби захисту органів зору.

Увага! Ця наклейка означає, що лазерне випромінювання від пристрою може спричинити пошкодження очей, опіки шкіри або займання легкозаймистих речовин. Перш ніж вмикати функцію допоміжного освітлення, переконайтеся, що перед лінзою лазера немає людей або легкозаймистих речовин. Не розміщуйте пристрій у місці, де до нього можуть мати доступ неповнолітні.

Інформація щодо лазера класу 4



Довжина хвилі: 810 nm
 Мин. розходження променя: $\pm 0.5^\circ$
 Макс. розходження променя: $12 \pm 0.5^\circ$
 Макс. вихідна потужність: 500 мВт
 Номінальна небезпечна для очей відстань (NOHD): 7 м

Аварійні ситуації

Якщо пристрій випускає дим, запах або видає шум, негайно вимкніть живлення, від'єднайте кабель живлення та зверніться в сервісний центр.

Синхронізація часу

Під час першого використання встановіть час пристрою вручну, якщо він не синхронізувався за мережею. Відкрийте меню пристрою через веб-браузер / клієнтську програму та перейдіть до інтерфейсу налаштування часу.

العربية

مظهر المنتج للمرجعية فقط وقد يختلف عن المنتج الفعلي.

الواجهة (الصفحة 8)

- ① واجهة التنبيه والصوت
- ② واجهة الشبكة
- ③ RS-485
- ④ الطاقة
- ⑤ واجهة من الألياف البصرية
- ⑥ الليزر

حول هذا المستند

- يتضمن المستند تعليمات بشأن استخدام المنتج وإدارته. الصور والمخططات والرسومات وجميع المعلومات الأخرى الواردة فيما بعد مقدمة للوصف والتوضيح فقط.
- يجب تحديث المعلومات الواردة في المستند للتغيير، دون إشعار، وتخصيصات البرامج الثابتة أو أسباب أخرى. يُرجى العثور على أحدث إصدار من هذا المستند على الموقع الإلكتروني لشركة Hikvision (https://www.hikvision.com). ما لم يتم الاتفاق على خلاف ذلك، لا تقدم شركة Hikvision Digital Technology Co. Ltd. في هانغتشو أو الشركات التابعة لها (المشار إليها في ما يلي باسم "Hikvision") أي ضمانات، سواء أكانت صريحة أم ضمنية.
- يُرجى استخدام هذا المستند مع الحصول على التوجيه والمساعدة من المحترفين المدربين على دعم المنتج.

نبذة عن المنتج

لا يمكن لهذا المنتج دعم خدمة ما بعد البيع إلا في البلد أو المنطقة التي تم شراؤه فيها.

الإقرار بحقوق الملكية الفكرية

- تمتلك Hikvision حقوق الطبع والنشر و/أو براءات الاختراع المتعلقة بالتكنولوجيا المضمنة في المنتجات الواردة في هذا المستند، الذي قد يتضمن ترخيص تم الحصول عليها من الجهات الخارجية.
- ينتمي كل جزء من المستند، بما في ذلك النص والصور والرسومات وما إلى ذلك، إلى شركة Hikvision. لا يجوز اقتباس أي جزء من هذا المستند أو نسخه أو ترجمته أو تعديله، كلياً أو جزئياً، بأي وسيلة من دون الحصول على إذن كتابي.
- **HIKVISION** وسجلها أو غيرها من علامات Hikvision التجارية وشعاراتها مملوكة Hikvision في مختلف الولايات القضائية. أما العلامات التجارية والشعارات الأخرى المذكورة فيملكها أصحابها المعينون.

إخلاء المسؤولية القانونية

- إلى الحد الأقصى الذي يسمح به القانون المعمول به، يتوفر هذا المستند والمنتج الموصوف وما يتضمنه من أجهزة وبرامج وبرامج ثابتة في الحالة التي هو عليها" و"بكل العيوب والأخطاء التي يتضمنها". لا تقدم HIKVISION أي ضمانات، سواء كانت صريحة أو ضمنية، بما في ذلك، على سبيل المثال لا الحصر، قابلية التسويق، أو الجودة الرضية، أو الملاءمة لغرض معين. يقع استخدام المنتج من قِبلك على مسؤوليتك الخاصة. لن تتحمل شركة HIKVISION -بأي حال من الأحوال- المسؤولية عن أي أضرار خاصة، أو لاحقة، أو عرضية، أو غير مباشرة -بما في ذلك، ومن بين أمور أخرى- أي أضرار ناجمة عن فقدان الأرباح التجارية، أو توقف العمل، أو فقدان البيانات، أو فساد في الأنظمة، أو ضياع الوثائق. سواء أكان ذلك استناداً إلى خرق للعقد، أم خطأ (ومنه الإهمال) -أو مسؤولية المنتج أو غير ذلك، فيما يتعلق باستخدام المنتج، حتى إذا كان قد تم إبلاغ HIKVISION بإمكانية حدوث مثل هذه الأضرار أو فقدان أنت تقر بطبيعة الإنترنت التي تنطوي على المخاطر الأمنية الكامنة، ولا يقع على HIKVISION أي مسؤوليات عن التشغيل غير الطبيعي أو تسرب الخصوصية أو غيرها من الأضرار الناجمة عن الهجوم الإلكتروني أو هجوم القرصنة أو الإصابة بالفيروسات والمخاطر الأمنية للإنترنت - ومع ذلك، سوف توفر HIKVISION الدعم الفني في الوقت المناسب، إذا لزم الأمر.
 - أنت توافق على استخدام المنتج متشابهاً مع جميع القوانين المعمول بها، وتتحمل وحدك المسؤولية عن ضمان أن استخدامك يتوافق مع القانون المعمول به. تتحمل وحدك بشكل خاص المسؤولية عن استخدام المنتج بطريقة لا تنتهك حقوق الأطراف الأخرى، بما في ذلك، على سبيل المثال لا الحصر، حقوق الدعاية، أو حقوق الملكية الفكرية، أو حقوق حماية البيانات وحقوق الخصوصية الأخرى. لا يجوز استخدام هذا المنتج لأي استخدامات نهائية محظورة، بما في ذلك تطوير أسلحة دمار شامل أو إنتاجها، أو تطوير أسلحة كيميائية أو بيولوجية أو إنتاجها، أو أي أنشطة في هذا السياق متعلقة بأي مواد قابلة للانفجار النووي أو دورة الوقود النووي غير الآمنة، أو لدعم انتهاكات حقوق الإنسان.
 - في حالة وجود أي تعارضات بين هذا المستند والقانون المعمول به، فإن القانون المعمول به هو الذي يسود.
- حقوق الطبع والنشر © محفوظة لصالح شركة Hikvision Digital Technology Co., Ltd. محفوظة جميع الحقوق محفوظة.**

المعلومات التنظيمية

تتطلب هذه البنود فقط على المنتجات التي تحمل العلامة أو المعلومات المقابلة.

بيان الامتثال لمعايير الاتحاد الأوروبي

يحمل هذا المنتج وكذلك ملحقاته المقدمة - إن وجدت - علامة "CE" ومن ثم يمثل للمعايير الأوروبية المنسقة السارية والمدرجة ضمن توجيه التوافق الكهرومغناطيسي (EMC) (2014/30/EU)، وتوجيه الحد من المواد الخطرة (RoHS) (65/2011/EU).

ملاحظة: تتوافق المنتجات ذات الإدخال من 50 إلى 1000 فولت تيار متردد أو 75 إلى 1500 فولت تيار مستمر مع توجيه الجهد المنخفض (LVD) (2014/35/EU)، وتوافق المنتجات الباقية مع توجيه العام سلامة المنتج (GPSD) (2001/95/EC). يُرجى الإطلاع على معلومات مصدر الطاقة المحددة كمرجع.

يتوفر النص الكامل لإعلان المطابقة للاتحاد الأوروبي على الإنترنت على العنوان التالي:

<https://www.hikvision.com/en/support/compliance/declaration-of-conformity>

تحذير: هذا منتج من الفئة A. في بيئة منزلية، قد يتسبب هذا المنتج في حدوث تداخل لاسلكي، وفي هذه الحالة قد يُطلب من المستخدم اتخاذ الإجراءات المناسبة.

التوجيه EU/19/2012 (توجيه نفايات الأجهزة الكهربائية والإلكترونية (WEEE)): لا يمكن التخلص من المنتجات التي تحمل هذا الرمز بوصفها نفايات بلدية غير مصنفة في الاتحاد الأوروبي.

ولتحقيق إعادة التدوير بطريقة سليمة، أعد هذا المنتج إلى المورد



تأكد من أن الحائط قوي بما يكفي لتحمل 8 أضعاف وزن الكاميرا والحاقل على الأقل.
تأكد من فصل الطاقة قبل توصيل أسلاك الجهاز، أو تركيبه أو فكّه.
التركيب

احتفظ بالجهاز في عبوته الأصلية أو عبوة مماثلة في أثناء نقله.
لا تسقط المنتج أو تعرضه لصدمة فعلية.

مصدر الطاقة

يجب أن يفي مصدر الطاقة بمتطلبات مصدر طاقة محدود أو متطلبات PS2 وفقاً لمعيار IEC 60950-1 أو IEC 62368-1.
ارجع إلى الملصق الخاص بمصدر الإمداد بالطاقة القياسي. يُرجى التأكد من توافق مصدر الإمداد بالطاقة مع الجهاز.
استخدم محول الطاقة المقدم من قبل الشركات المصنعة الموهلة. يوصى بتوفير محول طاقة مستقل لكل جهاز لأن التحميل الزائد على المحول قد يتسبب في ارتفاع درجة الحرارة أو التعرض لحظر نشوب حريق.

أمان النظام

يُرجى تفهم أنك تتحمل مسؤولية تكوين جميع كلمات المرور وإعادةادات الأمان الأخرى الخاصة بالجهاز، ويُرعى الاحتفاظ باسم المستخدم الخاص بك وكلمة المرور.

الصيانة

إذا لم يعمل المنتج بشكل سليم، فيرجى الاتصال بالوكيل أو أقرب مركز خدمة إن نتحمل أي مسؤولية عن المشاكل التي يتسبب في حدوثها الإصلاح أو الصيانة من جهة غير معتمدة.
تتطلب بعض مكونات الجهاز (مثل المكثف الكهربائي) الاستبدال بصورة منتظمة. يختلف متوسط فترة الاستخدام، لذا يُوصى بإجراء فحص دوري. اتصل بالموزع للحصول على التفاصيل.

التنظيف

يُرجى استخدام قطعة قماش ناعمة وجافة لتنظيف الأسطح الداخلية والخارجية. لا تستخدم المنظفات القلوية.

بيئة الاستخدام

عند استخدام أي أجهزة ليزر، تأكد من عدم تعرض عدسة الجهاز لشعاع الليزر، وإلا فقد تحترق.
لا توجه العدسة نحو الشمس أو أي أضواء ساطعة أخرى.
لتجنب تراكم الحرارة، يلزم وجود تهوية جيدة لتوفير بيئة تشغيل مناسبة.

لا تعرض الجهاز للبيئات شديدة السخونة أو البرودة أو المليئة بالغبار أو المسببة للتآكل أو ذات الملوحة القلوية أو الرطبة.
بالنسبة للأجهزة الخارجية، يجب أن تتراوح درجة حرارة العمل من 30- درجة مئوية إلى 65 درجة مئوية (من -22 درجة فهرنهايت إلى 149 درجة فهرنهايت) ويجب أن تكون رطوبة العمل أقل من 90٪. بالنسبة للأجهزة الداخلية، يجب أن تتراوح درجة حرارة العمل من 10 درجات مئوية إلى 50 درجة مئوية (من 14- درجة فهرنهايت إلى 122 درجة فهرنهايت) ويجب أن تكون رطوبة العمل أقل من 90٪. لا تعرض الجهاز للإشعاع الكهرومغناطيسي العالي.

مصباح الإضاءة

تأكد من عدم وجود سطح عاكس قريب جداً من عدسة الكاميرا. فقد ينعكس الضوء المنبعث من الجهاز مرة أخرى إلى العدسة مؤدياً إلى الانعكاس.

يُصنف شعاع الضوء على مسافة 200 مم ضمن مجموعة الخطر 2 (RG2) لمخاطر الضوء الأزرق على الشبكية ويصنف على مسافة 250 مم ضمن مجموعة الخطر 1 (RG1). يبلغ الحد الأدنى للمسافة الآمنة حوالي 1.7 متر من الجهاز.

| |
|---|
| <p>RISK GROUP 2</p> <p>CAUTION Possibly hazardous optical radiation emitted from this product. Do not stare at operating lamp. May be harmful to the eyes.</p> |
|---|

ومن المحتمل أن يكون الإشعاع البصري المنبعث من هذا المنتج خطيراً. تثبتت أشعة تحت حمراء من هذا المنتج. لا تحرق في مصدر ضوء التشغيل. قد يتسبب في حدوث ضرر لعينيك.
في حالة عدم توفر الحماية المناسبة أو وافي العين، قم بتشغيل الضوء فقط على مسافة آمنة أو في المنطقة التي لا تتعرض مباشرة للضوء.

المحلي الذي تتعامل معه عند شراء جهاز جديد مماثل أو تخلص منه في نقاط التجميع المحددة. للحصول على مزيد من المعلومات، راجع: www.recyclethis.info.
التوجيه EC/66/2006 وتعديله EU/56/2013 (توجيه البطارية): يحتوي هذا المنتج على بطارية لا يمكن التخلص منها بوصفها نفايات محلية غير مصنفة في الاتحاد الأوروبي. راجع وثائق المنتج للاطلاع على معلومات محددة بشأن البطارية. تحمل البطارية هذا الرمز، الذي قد يتضمن حرفاً تدل على الكاديوم (Cd) أو الرصاص (Pb) أو الزئبق (Hg). لتحقيق إعادة التدوير بطريقة سليمة، أعد البطارية إلى المورد الذي تتعامل معه، أو إلى نقطة تجميع محددة. للحصول على مزيد من المعلومات، راجع: www.recyclethis.info.



تعليمات السلامة



التحذيرات

القوانين واللوائح

يجب استخدام الجهاز وفقاً للقوانين المحلية ولوائح السلامة الكهربائية ولوائح الوافية من الحريق.

السلامة الكهربائية

تحذير: لتقليل خطر نشوب حريق، استبدل المصهر بأخر يكون فقط من نفس النوع ووقت التصنيف.

يجب تركيب هذا الجهاز مع وحدة UPS لتجنب خطر إعادة التشغيل.

البطارية

هذه المعدّة غير مناسبة للاستخدام في الأماكن التي يُحتمل وجود أطفال فيها.

تحذير: ثمة خطر حدوث انفجار إذا تم استبدال البطارية بنوع غير صحيح.

قد يؤدي الاستبدال غير الصحيح للبطارية بنوع غير صحيح إلى إبطال الحماية (على سبيل المثال، في حالة بعض أنواع بطاريات الليثيوم).

لا تتصلصن من البطارية بالأواني في النار أو في فرن ساخن، أو قم بسحق البطارية أو تقطيعها ميكانيكياً، مما قد يؤدي إلى حدوث انفجار.

لا تترك البطارية في بيئة محيطية ذات درجة حرارة عالية للغاية، مما قد يؤدي إلى حدوث انفجار أو تسرب سائل أو غاز قابل للاشتعال.

لا تُعرض البطارية لضغط هواء منخفض للغاية، مما قد يؤدي إلى حدوث انفجار أو تسرب سائل أو غاز قابل للاشتعال.

تخلص من البطاريات المستعملة حسب التعليمات.



التنبيهات

الوقاية من الحريق

يجب عدم وضع مصادر لهب مكشوفة، مثل الشموع المضاءة، على الجهاز.

يستخدم المنفذ التسلسلي للجهاز لتصحيح الأخطاء فقط.

سخونة السطح

تحذير: الأجزاء الساخنة قد تتعرض أصابعك للاحتراق عند مسك الأجزاء وهي ساخنة.

| |
|--|
| <p>WARNING HOT SURFACE DO NOT TOUCH</p> |
|--|

هذا الملصق يشير إلى أن العنصر المحدد يمكن أن يكون ساخناً ولا يجب لمسه دون توخي الحذر. انتظر نصف ساعة بعد إيقاف تشغيل الجهاز قبل مسك الأجزاء.

الجهاز الذي يحتوي على هذا الملصق مخصص للتركيب في موقع وصول مقيد. ولا يمكن الوصول إليه إلا من قبل أشخاص الخدمة أو المستخدمين الذين تم إطلاعهم على أسباب القيود المطبقة على الموقع وحول أي احتياطات يجب اتخاذها.

التركيب

تُبثت الجهاز وفقاً للتعليمات الواردة في هذا الدليل.

لمنع الإصابة، يجب تثبيت هذا الجهاز بإحكام في السقف/الحاقل وفقاً لتعليمات التثبيت.

تأكد من وجود مساحة كافية لتثبيت الجهاز وملحقاته.

عند تجميع الجهاز أو تثبيته أو صيانته، لا تقم بتشغيل الضوء أو ارتداء واقي العين.

بالنسبة للجهاز المزود بالليزر

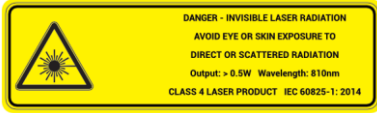
يمكن للمحترفين فقط تشغيل الجهاز المزود بوحدة ليزر.

لا تحقق في مصدر ضوء التشغيل. قد يتسبب في حدوث ضرر لعينيك في حالة عدم توفر الحماية المناسبة أو واقي العين، قم بتشغيل الضوء فقط على مسافة آمنة أو في المنطقة التي لا تتعرض مباشرة للضوء.

يجب أن يشمل الطول الموجي المناسب لحماية العين ذروة الطول الموجي لليزر ويجب أن تكون قيمة الكثافة البصرية أكبر من +OD4. عند تجميع الجهاز أو تثبيته أو صيانته، لا تقم بتشغيل الضوء أو ارتداء واقي العين.

تحذير: هذا الملصق هو للإشارة إلى أن أشعة الليزر المنبعثة من الجهاز يمكن أن تسبب إصابات للعين أو حرقاً للجلد أو مواد قابلة للاشتعال. ولذا، قبل تمكن وظيفة المكمل الضوئي، تأكد من عدم وجود أشخاص أو مواد قابلة للاشتعال أمام عتسة الليزر. لا تضع الجهاز في مكان يمكن للفصل الوصول إليه.

معلومات حول فئة الليزر 4



الطول الموجي: 810 نانومتر

الحد الأدنى لانحراف الشعاع: $5^{\circ} \pm 0.5^{\circ}$

الحد الأقصى لانحراف الشعاع: $12^{\circ} \pm 5^{\circ}$

الحد الأقصى للإخراج: 500 ميغاوات

NOHD (مسافة الخطر البصري الاسمية): 7 أمتار

الطوارئ

إذا انبعت دخان أو رائحة غريبة أو ضوء من الجهاز، فأوقف تشغيل الطاقة على الفور وافصل كابيل الطاقة، ثم اتصل بمركز الخدمة.

مزامة الوقت

قم بإعداد وقت الجهاز يدوياً لأول مرة للوصول إذا لم يكن الوقت المحلي متزامناً مع الوقت الخاص بالشبكة. تفضل بزيارة الجهاز عبر متصفح الويب/برنامج العميل وانتقل إلى واجهة إعدادات الوقت.

