






# Entrance Ticket Station (DS-TMT201-D)

Quick Start Guide

## Symbol Conventions

The symbols that may be found in this document are defined as follows.

Symbol	Description
 <b>Note</b>	Provides additional information to emphasize or supplement important points of the main text.
 <b>Caution</b>	Indicates a potentially hazardous situation, which if not avoided, could result in equipment damage, data loss, performance degradation, or unexpected results.
 <b>Danger</b>	Indicates a hazard with a high level of risk, which if not avoided, will result in death or serious injury.

# Chapter 1 Introduction

## 1.1 Product Introduction

Entrance Ticket Station (hereinafter referred to as device) is used for data collection and management of entrance and parking lot. Through interaction with the software, the device can control the entrance, manage the parking lot effectively, and charge parking fee. It integrates functions of information display, voice prompt, two-way audio, card reading and ticket printing.

## 1.2 Overview

The overview of Entrance Ticket Station is shown as below.

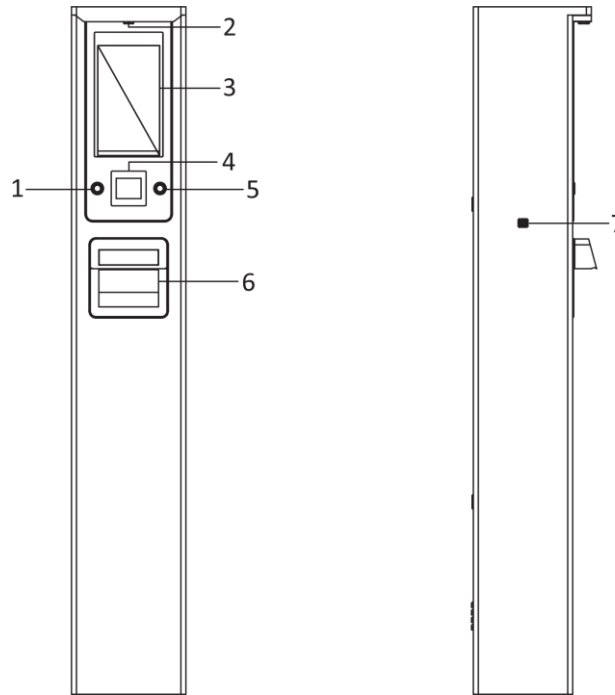


Figure 1-1 Device Overview

Table 1-1 Device Overview Description

No.	Name	Description
1	Help button	Press it to start two-way audio with the management center.
2	MIC	For two-way audio with the management center.
3	LCD	Display information such as prompt, parking charge, license plate number, etc.
4	Card reader	Swipe a card here to read it.

## Entrance Ticket Station • Quick Start Guide

---

5	Taking ticket button	Press the button to take a ticket when the vehicle enters the parking lot.
6	Ticket out exit	Take a ticket here to enter the parking lot and start time-based charge.
7	Loudspeaker	Play voice prompt such as welcome.

## Chapter 2 Device Installation

### 2.1 Installation Environment

Select the appropriate position for installing the device according to your actual requirement. Pay attention to the following tips.

- Install the device on horizontal ground.
- Installation surface requirements:
  - If no base is installed, the installation surface must be firm enough to fix the host to guarantee the device can run stably.
  - If base is needed, it is recommended to install the base with quick setting cement. The base should be horizontal. The height should not be larger than 300 mm. The length and width of base should be larger than those of the actual device installation surface. Bury the set bolts prepared by yourself before installation.
  - Bury the cables before installation. The conduit should be 50 mm higher than the ground to avoid the gathered water on the ground to enter into the cable and cause short circuit.

### 2.2 Install Device

Follow the steps below to install the device.



Cut off power during the installation.

Fix the device firmly. Add safety guards if necessary. Check the firmness periodically. It may cause serious personal injury or death if the device tilts or falls.

Do not use this product in high vibration environments such as the roof of a car, which may cause damage to the product.

---

#### Steps

1. Mark the positions of holes on the refuge island as shown below. The hole depth is approx. 120 mm.

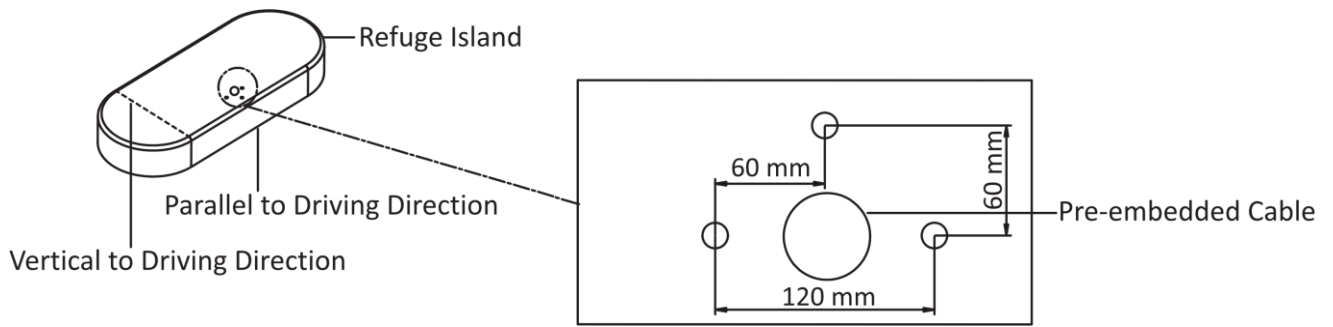


Figure 2-1 Mark Positions of Holes

**Note**

The pipe diameter of the pre-embedded cable should be no more than 60 mm.

2. Take the three M12 × 150 expansion screws out from the package. Punch the screws into the marked positions on refuge island. Fasten the nuts to make the screws expand to grip the ground. Then unfasten the nuts.

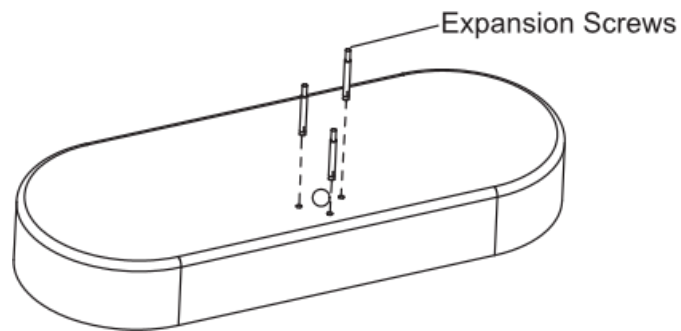


Figure 2-2 Install Expansion Screws

3. Unlock the device back cover with key, and open the back cover. Remove the printer protective foam.

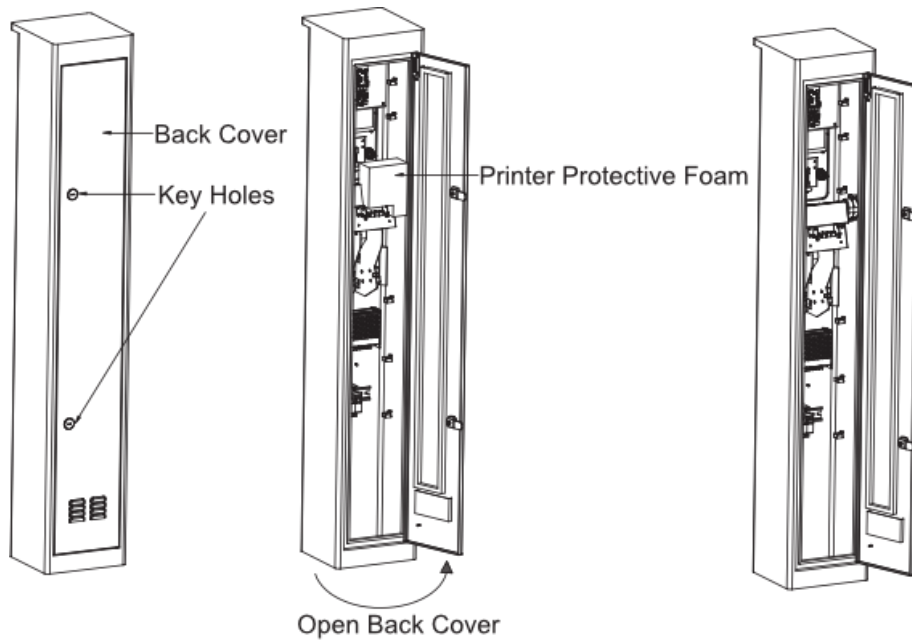


Figure 2-3 Open Back Cover

4. Fix the device.

- 1) Put the device on the positions of expansion screws on the refuge island to make the screws pass through the holes on the bottom.
- 2) Fasten the expansion nuts on the screws to fix the device.

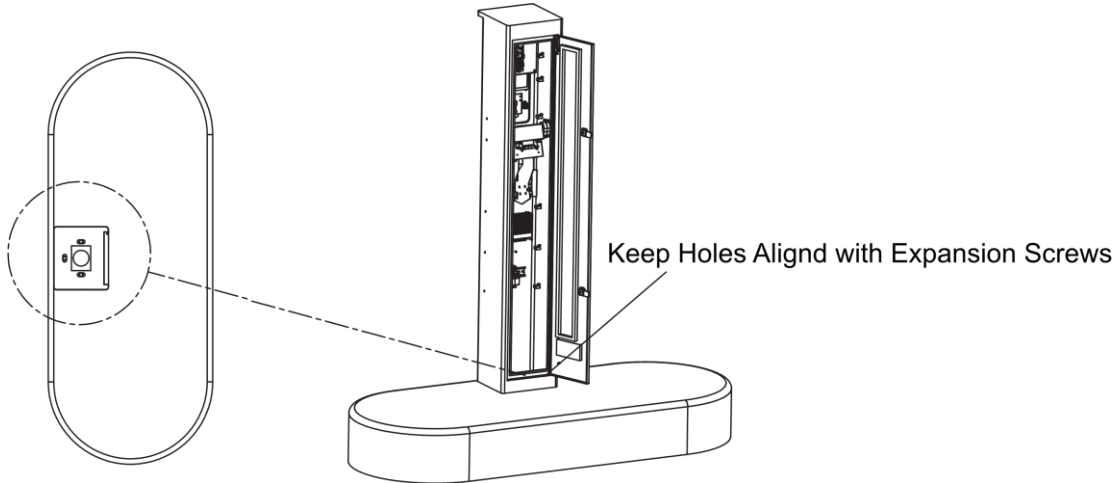


Figure 2-4 Fix Device

## 2.3 Wiring



**Caution**

Cut off power before wiring.

---

### Steps

1. Connect the laid network cable to the network interface.
2. Connect the laid power cord (RVV3 × 1.5 mm<sup>2</sup> or above) to the power input of the device.
3. Connect all the ground wires to PE interface of the printer.

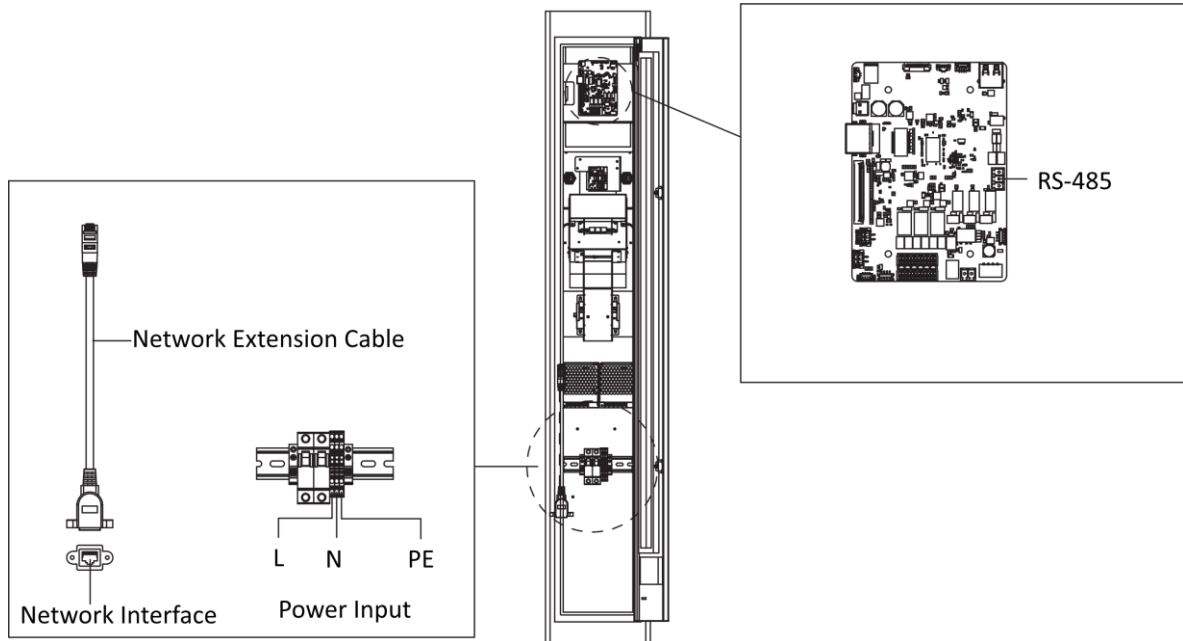


Figure 2-5 Wiring

3. Lock the back cover with key.

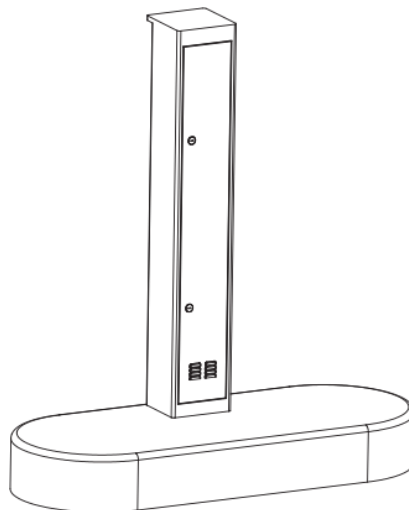


Figure 2-6 Lock Back Cover

## 2.4 Printing Paper

### 2.4.1 Install Printing Paper

Follow the steps below to install the printing paper.



**Steps**

1. Take the printing paper from the printer package. Take the printing paper spool from the accessory kit.
2. Insert the printing paper spool into the central hole of the printing paper.

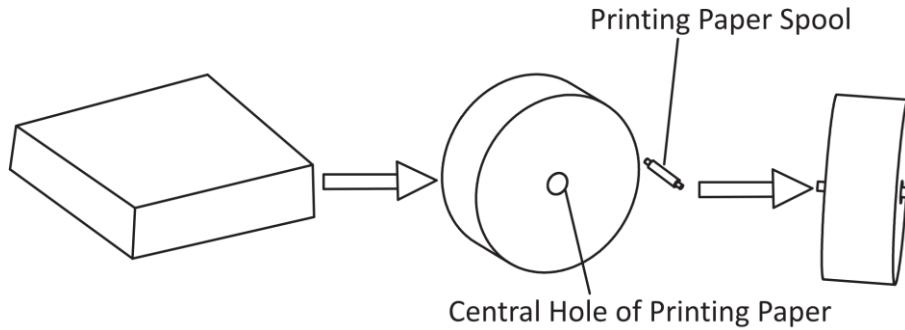


Figure 2-7 Insert Printing Paper Spool

3. Connect all the ground wires to PE interface of the printer.

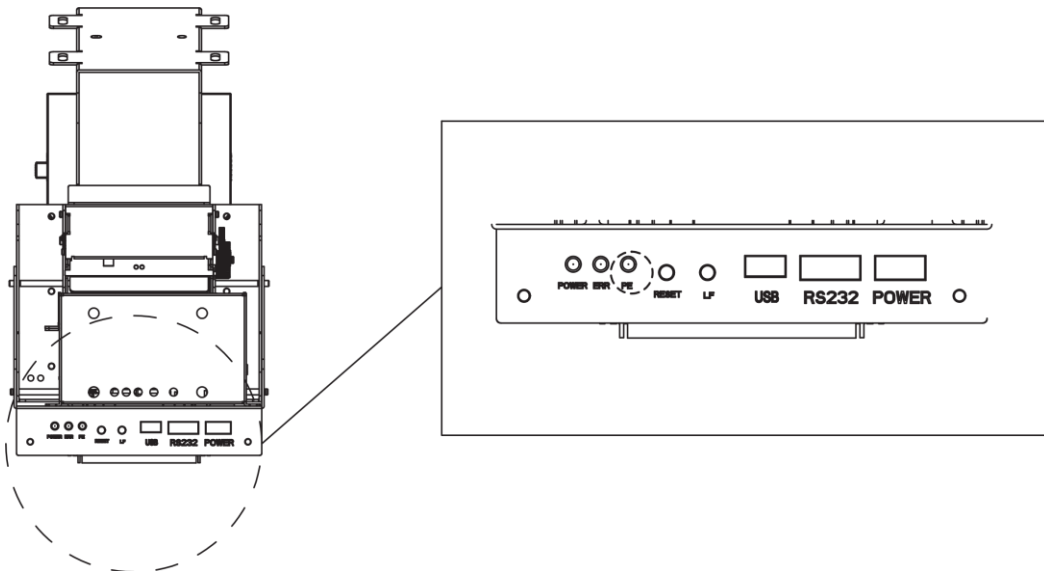


Figure 2-8 Connect Ground Wire to PE

4. Install the printing paper into the paper slot.

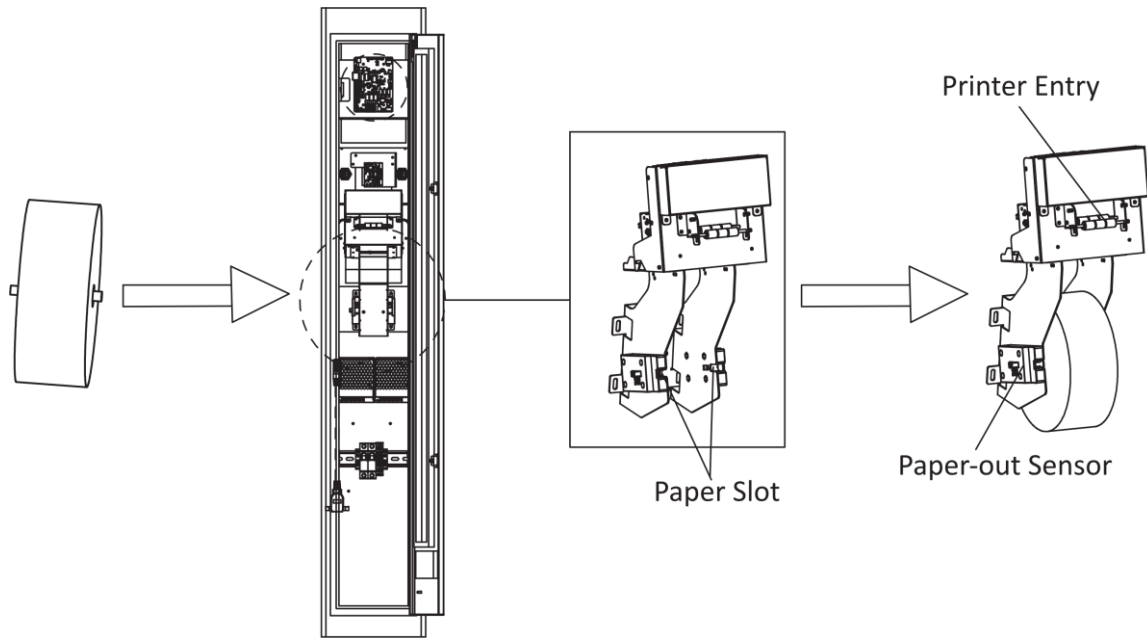


Figure 2-9 Install Printing Paper into Paper Slot

**Note**

The paper-out sensor position is set by default, and it can be adjusted according to the actual situation.

5. Power on the device, and turn on the air switch. Start up the device.
6. Make the paper enter the printer entry in the direction as shown below, and it will go to the exit automatically.

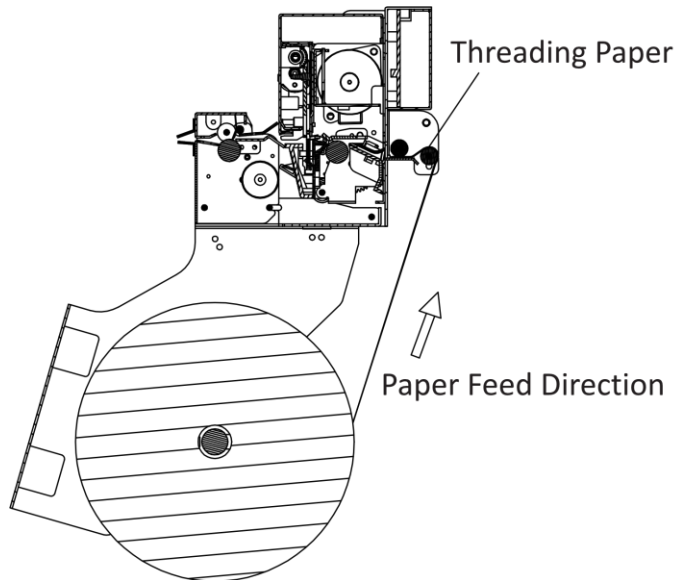


Figure 2-10 Paper Feed

### 2.4.2 Replace Printing Paper

If the printer is out of paper, follow the steps below to replace the printing paper.

 **Note**

The printer will display paper-out signal when the printing paper is running out.

**Steps**

1. Follow step 3 of 2.2 Install Device to open the back cover.
2. If the printing paper doesn't fall off from the printing paper spool, then cut the printing paper at any place.
3. Remove the printing paper spool in the direction as the arrow shown below.

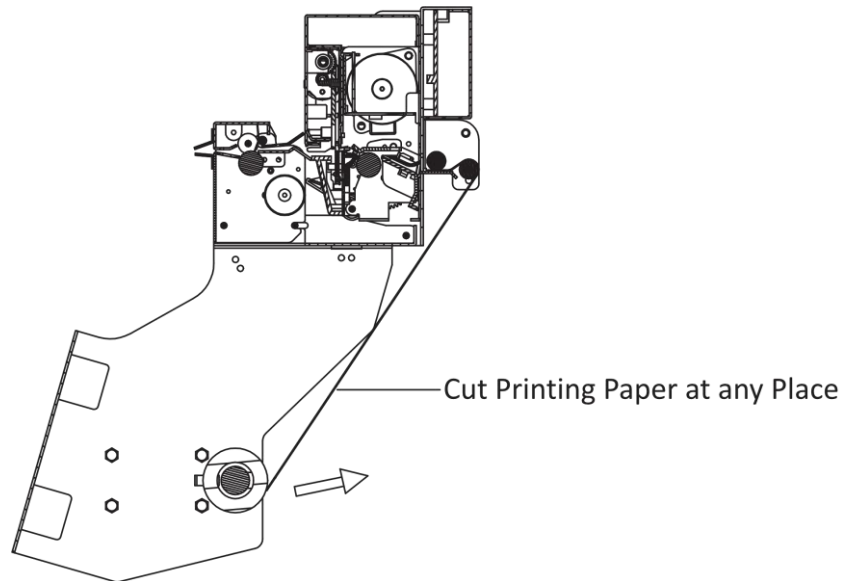


Figure 2-11 Remove Printing Paper Spool

4. Press LF button to run out the rest paper.
5. Follow step 4 of 2.4 Install Printing Paper to install the new printing paper.

### 2.4.3 Paper Jam Troubleshooting

If a paper jam occurs, follow the steps below to fix it.

**Steps**

1. Follow step 3 of 2.2 Install Device to open the back cover.
2. Pull the switch shaft in the direction as the arrow shown below.

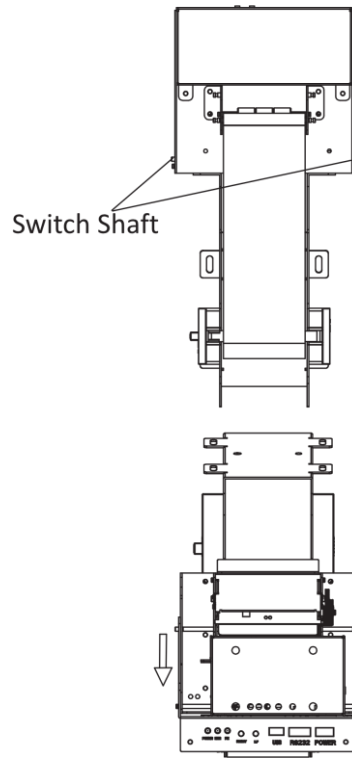


Figure 2-12 Pull Switch Shaft

3. Turn the printer head as shown in Figure 2-13 Remove Paper.
4. Remove the jammed paper in the paper out area.

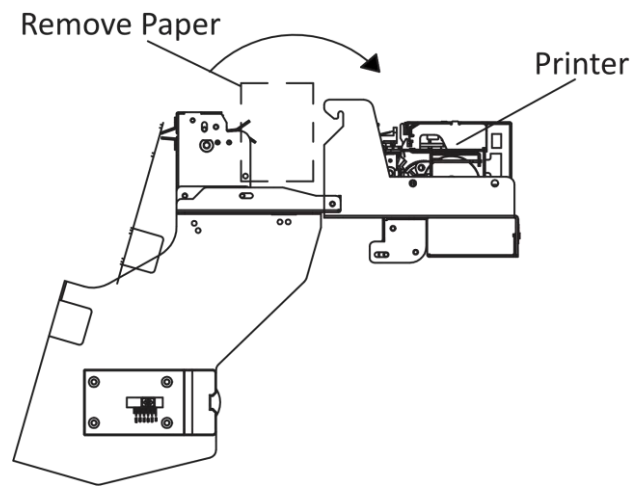


Figure 2-13 Remove Paper

5. Turn the printer head in the opposite direction.
6. Press the printer to clip it into the switch shaft.
7. If the printing paper is not in the paper entry area, then repeat step 6 of 2.4.1 Install Printing Paper.

## Chapter 3 Device Configuration

Scan the QR code below to get the user manual for detailed configuration.



Figure 3-1 User Manual QR Code



See Far, Go Further