

Installation Guide

Avigilon H4A Multisensor Dome Camera Models:

9C-H4A-3MH-180

9C-H4A-3MH-270

12C-H4A-4MH-360

15C-H4A-3MH-180

15C-H4A-3MH-270

20C-H4A-4MH-360

24C-H4A-3MH-180

24C-H4A-3MH-270

32C-H4A-4MH-360

Important Safety Information

This manual provides installation and operation information and precautions for the use of this device. Incorrect installation could cause an unexpected fault. Before installing this equipment read this manual carefully. Please provide this manual to the owner of the equipment for future reference.



This Warning symbol indicates the presence of dangerous voltage within and outside the product enclosure that may result in a risk of electric shock, serious injury or death to persons if proper precautions are not followed.



This Caution symbol alerts the user to the presence of hazards that may cause minor or moderate injury to persons, damage to property or damage to the product itself if proper precautions are not followed.



WARNING — Failure to observe the following instructions may result in severe injury or death.

- Installation must be performed by qualified personnel only, and must conform to all local codes.
- This product is intended to be supplied by a UL Listed Power Unit marked “Class 2” or “LPS” or “Limited Power Source” with output rated:
 - With IR LEDs: 24 V AC \pm 10%, 74 VA minimum, or 24 V DC \pm 10%, 52 W minimum, or a Microsemi PD9601G/AC (90 W) or Microsemi PD9501GR/AC (60 W) Power over Ethernet (PoE) mid-span injector.
 - Without IR LEDs: 24 V AC \pm 10%, 37 VA minimum, or 24 V DC \pm 10%, 26 W minimum, or PoE+ IEEE802.3at Type 2 compliant Power Sourcing Equipment (PSE) rated 50-57 V DC, 25.5 W minimum.
- Any external power supply connected to this product may only be connected to another Avigilon product of the same model series. External power connections must be properly insulated.
- Do not connect directly to mains power for any reason.



CAUTION — Failure to observe the following instructions may result in injury to persons or damage to the device.

- Do not install near any heat sources such as radiators, heat registers, stoves, or other sources of heat.
- Do not subject the device cables to excessive stress, heavy loads or pinching.
- Do not open or disassemble the device. There are no user serviceable parts.
- Refer all device servicing to qualified personnel. Servicing may be required when the device has been damaged (such as from a liquid spill or fallen objects), has been exposed to rain or moisture, does not operate normally, or has been dropped.
- Do not use strong or abrasive detergents when cleaning the device body.
- Use only accessories recommended by Avigilon.

Regulatory Notices

This device complies with part 15 of the FCC Rules. Operation is subject to the following two conditions: (1) this device may not cause harmful interference, and (2) this device must accept any interference received, including interference that may cause undesired operation.

This Class B digital apparatus complies with Canadian ICES-003.

This equipment has been tested and found to comply with the limits for a Class B digital device, pursuant to Part 15 of the FCC rules. These limits are designed to provide reasonable protection against harmful interference in a residential installation. This equipment generates, uses and can radiate radio frequency energy and, if not installed and used in accordance with the instructions, may cause harmful interference to radio communications. However, there is no guarantee that interference will not occur in a particular installation. If this equipment does cause harmful interference to radio or television reception, which can be determined by turning the equipment off and on, the user is encouraged to try to correct the interference by one or more of the following measures:

- Reorient or relocate the receiving antenna.
- Increase the separation between the equipment and the receiver.
- Connect the equipment into an outlet on a circuit different from that to which the receiver is connected.
- Consult the dealer or an experienced radio/TV technician for help.

Changes or modifications made to this equipment not expressly approved by Avigilon Corporation or parties authorized by Avigilon Corporation could void the user's authority to operate this equipment.

To meet the requirements of the EN 50121-4 Railway Applications Standard, use an external power supply or POE injector that is also compliant with EN 50121-4. Please contact Avigilon for assistance regarding supporting equipment.

이 기기는 가정용(B급) 전자파적합기기로서 주로 가정에서 사용하는 것을 목적으로 하며, 모든 지역에서 사용할 수 있습니다.

Disposal and Recycling Information

When this product has reached the end of its useful life, please dispose of it according to your local environmental laws and guidelines.

Risk of fire, explosion, and burns. Do not disassemble, crush, heat above 100 °C (212 °F), or incinerate.

European Union:



This symbol means that according to local laws and regulations your product should be disposed of separately from household waste. When this product reaches its end of life, take it to a collection point designated by local authorities. Some collection points accept products for free. The separate collection and

recycling of your product at the time of disposal will help conserve natural resources and ensure that it is recycled in a manner that protects human health and the environment.

Legal Notices

© 2021, Avigilon Corporation. All rights reserved. AVIGILON, the AVIGILON logo, AVIGILON CONTROL CENTER, and ACC are trademarks of Avigilon Corporation. Other names or logos mentioned herein may be the trademarks of their respective owners. The absence of the symbols ™ and ® in proximity to each trademark in this document or at all is not a disclaimer of ownership of the related trademark. Avigilon Corporation protects its innovations with patents issued in the United States of America and other jurisdictions worldwide (see [avigilon.com/patents](https://www.avigilon.com/patents)). Unless stated explicitly and in writing, no license is granted with respect to any copyright, industrial design, trademark, patent or other intellectual property rights of Avigilon Corporation or its licensors.

Disclaimer

This document has been compiled and published using product descriptions and specifications available at the time of publication. The contents of this document and the specifications of the products discussed herein are subject to change without notice. Avigilon Corporation reserves the right to make any such changes without notice. Neither Avigilon Corporation nor any of its affiliated companies: (1) guarantees the completeness or accuracy of the information contained in this document; or (2) is responsible for your use of, or reliance on, the information. Avigilon Corporation shall not be responsible for any losses or damages (including consequential damages) caused by reliance on the information presented herein.

Avigilon Corporation
avigilon.com

PDF-H4AMH-A

Revision: 7 - EN

20210922

Table of Contents

Overview	8
Camera Module	8
Camera Back View	8
Camera Top View	9
Surface Mount Adapter	10
Pendant Mount Adapter	11
In-Ceiling Mount Adapter	12
Outdoor Dome Cover	13
In-Ceiling Dome Cover	13
Pendant Wall Mount	14
Pendant NPT Mount	15
Pendant Mount Installation	17
Required Tools and Materials	17
Camera Package Contents	17
Pendant Mount Installation Steps	18
(Optional) Installing the Pendant Wall Mount	18
(Optional) Installing the NPT Mount Adapter	20
Installing the Pendant Mounting Adapter	22
Connecting Cables	24
(Optional) Configuring microSD Card Storage	27
Initializing a Camera Username and Password	28
(Optional) Using the USB Wi-Fi Adapter	28
Assigning an IP Address	29
Accessing the Live Video Stream	30
Installing the H4 Multisensor Camera Base to a Pendant Mount	31
Aiming the H4 Multisensor Camera	31
(Optional) Installing the IR Illuminator Ring	32
Installing the Pendant Mount Dome Cover	34
Surface Mount Installation	37
Camera Package Contents	37
Surface Mount Installation Steps	37
Installing the Surface Mount Adapter	37
Connecting Cables	42
(Optional) Configuring microSD Card Storage	45
Initializing a Camera Username and Password	46

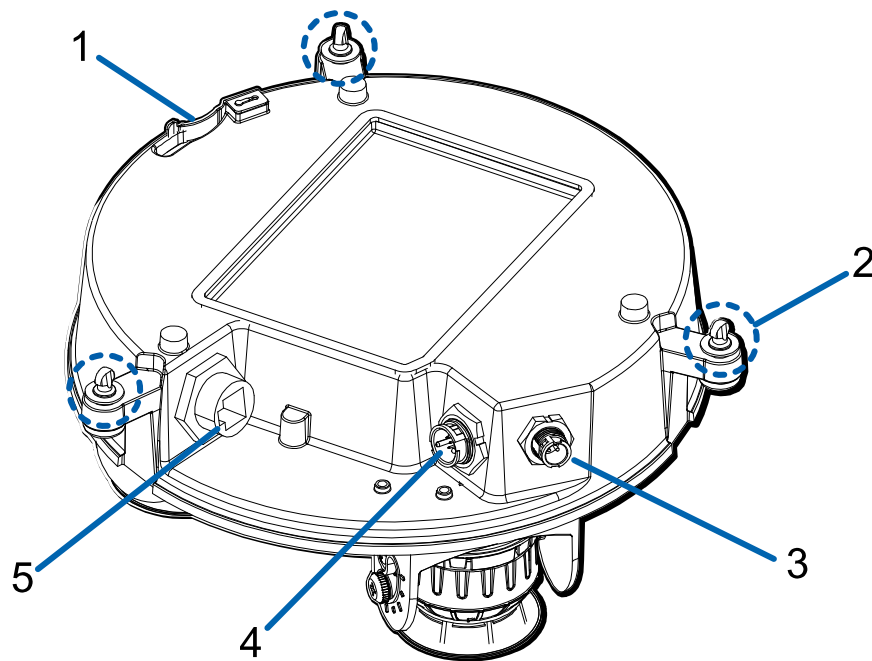
(Optional) Using the USB Wi-Fi Adapter	46
Assigning an IP Address	47
Accessing the Live Video Stream	48
Installing the H4 Multisensor Camera Base to a Surface Mount	49
Aiming the H4 Multisensor Camera	49
(Optional) Installing the IR Illuminator Ring	50
Installing the Surface Mount Dome Cover	52
In-Ceiling Mount Installation	54
Camera Package Contents	54
In-Ceiling Mount Installation Steps	54
Preparing the Camera for In-Ceiling Installation	54
(Optional) Cutting the Mounting Hole for the In-Ceiling Mount Adapter	55
(Optional) Attaching the Conduit Cable Entry Cover for Plenum Installations	56
Installing the In-Ceiling Mounting Adapter	57
Connecting Cables	59
(Optional) Configuring microSD Card Storage	61
Initializing a Camera Username and Password	62
(Optional) Using the USB Wi-Fi Adapter	62
Assigning an IP Address	63
Accessing the Live Video Stream	64
Installing the H4 Multisensor Camera Base to an In-Ceiling Mount	65
Aiming the H4 Multisensor Camera	65
Installing the In-Ceiling Mount Dome Cover	66
For More Information	69
Cable Connections	70
Connecting to Power, Audio, and External Devices	70
Pigtail Connector and Wires	70
Wiring Audio, I/O, and AUX Power	71
Focusing the H4 Multisensor Camera	72
Connection Status LED Indicator	73
Troubleshooting Network Connections and LED Behavior	73
Resetting to Factory Default Settings	75
Setting the IP Address Using the ARP/Ping Method	76
Cleaning	77

Dome Bubble	77
Body	77
Limited Warranty and Technical Support	78

Overview

Camera Module

Camera Back View



1. Lanyard anchor

The safety lanyard attaches to the anchor to prevent the camera from falling during installation.

2. Camera mounting screws

Captive screws to fix the camera to the mounting adapter.

3. IR ring cable connector

Accepts IR cable connection to power and control the IR illuminator ring.

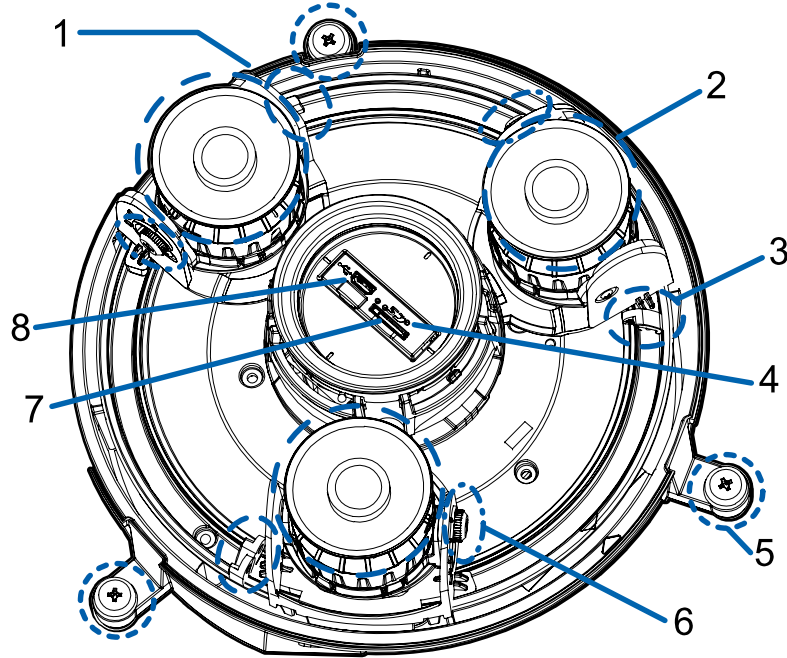
4. Audio, I/O, Aux power connector

Accepts connection of the audio, I/O, and Aux power pigtail connector.

5. Ethernet port

Accepts an Ethernet connection to a network. Server communication and image data transmission occurs over this connection. Also receives power when it is connected to a network that provides Power over Ethernet.

Camera Top View



1. **Serial number tag**

Device information, product serial number and part number label.

2. **Camera heads**

The multiple camera heads that can be moved, aimed and focused to monitor different scenes.

Note: There may be three or four camera heads depending on your camera model.

3. **Pan lock latch**

Provides a locking mechanism for the image pan adjustment.

4. **Firmware revert button**

Resets the H4 Multisensor camera. For more information, see *Resetting to Factory Default Settings* on page 75.

5. **Camera mounting screws**

Captive screws to fix the camera to the mounting adapter.

6. **Tilt lock thumb screw**

Provides a locking mechanism for the image tilt adjustment.

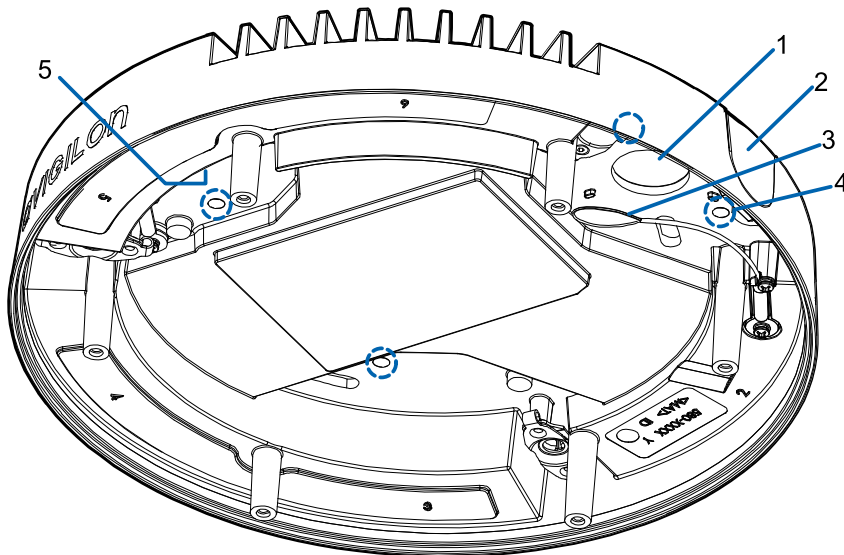
7. **microSD card slot**

Accepts a microSD card for onboard storage.

8. **Micro USB port**

Accepts a micro USB to USB adapter. Only required when using the Avigilon USB Wi-Fi Adapter.

Surface Mount Adapter



1. **Cable entry hole (rear)**

An entry hole for the cables required for camera operation.

2. **Cable entry hole (side)**

An entry hole for the cables required for camera operation.

3. **Lanyard to dome cover**

Connects to the lanyard anchor on the dome cover.

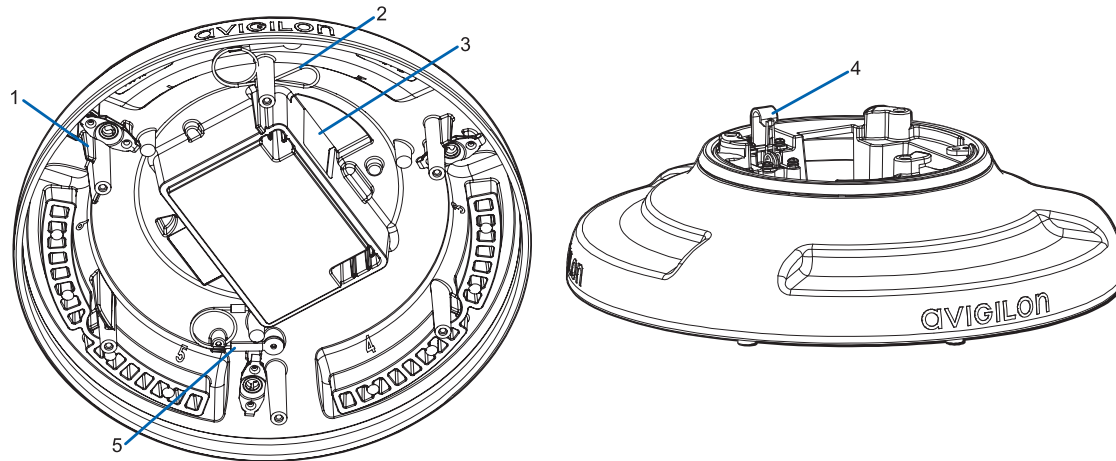
4. **Mounting holes**

Mounting points for the mount adapter.

5. **Lanyard to camera**

Connects to the lanyard anchor on the camera base.

Pendant Mount Adapter



1. Orange ribs

Two orange-colored ribs that are used to align with the lanyard clip on the dome cover.

2. Lanyard to dome cover

Connects to the lanyard anchor on the dome cover.

3. Cable entry hole

An entry hole for the cables required for camera operation.

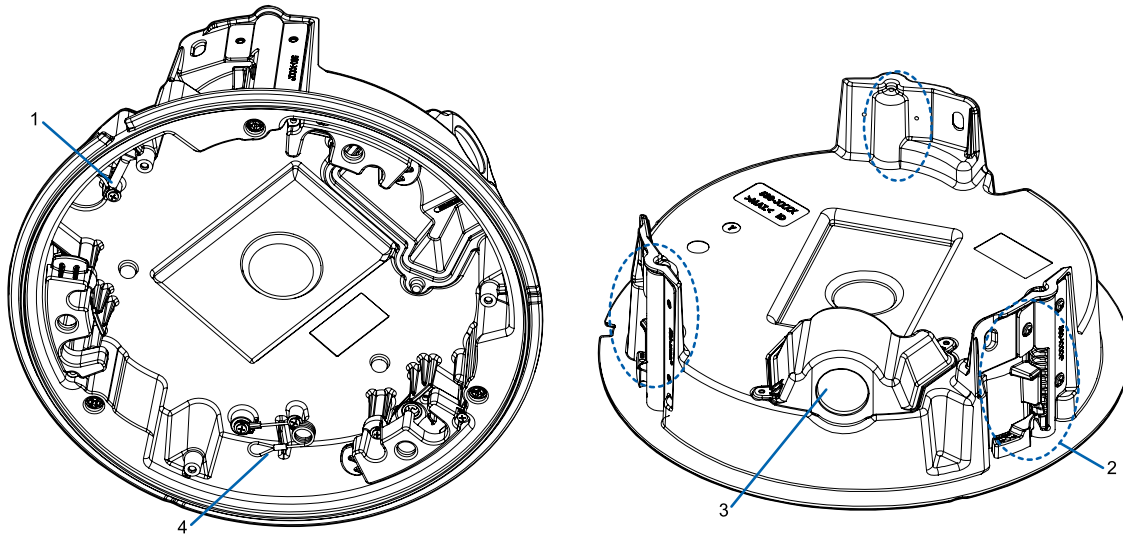
4. Lanyard anchor

The safety lanyard attaches to the anchor to prevent the adapter from falling during installation.

5. Lanyard to camera

Connects to the lanyard anchor on the camera base.

In-Ceiling Mount Adapter



1. Lanyard to camera

Connects to the lanyard anchor on the camera base.

2. Clamps

Spring loaded locking mechanisms that secure the camera to the mounting surface.

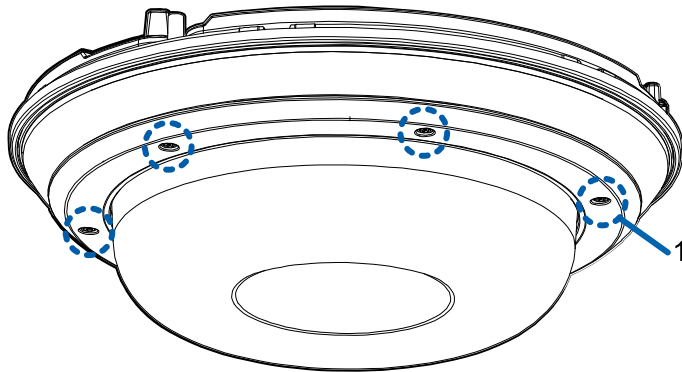
3. Cable entry hole and conduit cable entry cover

An entry hole for the cables required for camera operation.

4. Lanyard to dome cover

Connects to the lanyard anchor on the dome cover.

Outdoor Dome Cover

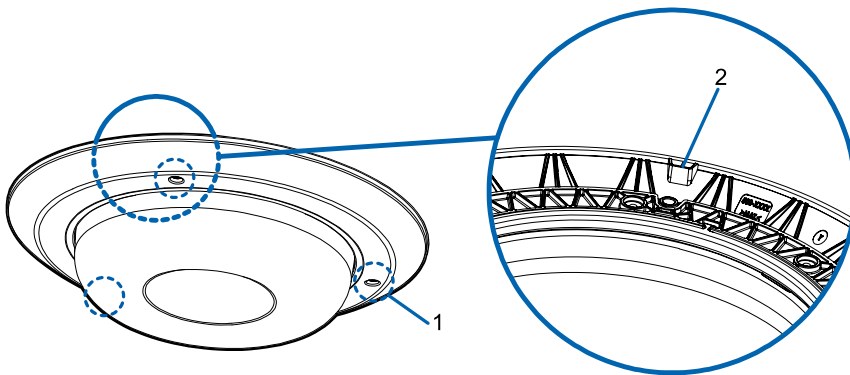


1. Tamper resistant screws

Star-shaped captive screws to fix the dome cover to the base.

Note: There are 6 captive screws on the dome cover. Only 4 screws are shown in the figure above.

In-Ceiling Dome Cover



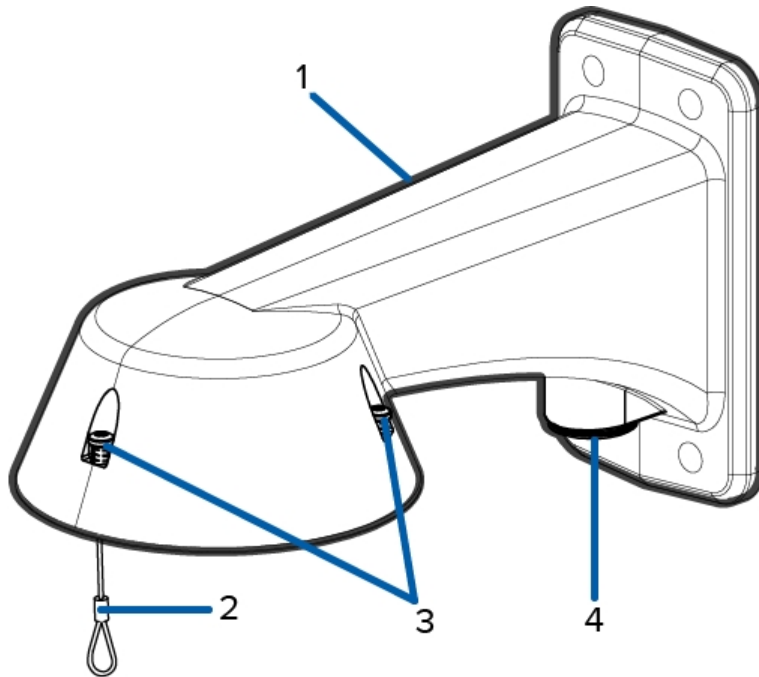
1. Tamper resistant screws

Star-shaped captive screws to fix the dome cover to the base.

2. Dome cover notch

Notch used to align the dome cover with the mounting adapter clip notch when installing the dome cover.

Pendant Wall Mount



1. **Pendant wall mount**

Camera mount for walls and other mounting surfaces.

2. **Lanyard**

Connects to the lanyard anchor on the mounting adapter.

3. **Tamper resistant screws**

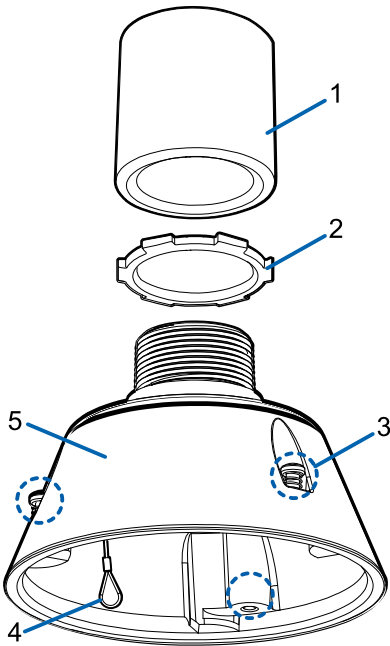
Star-shaped captive screws to fix the mounting adapter to the pendant wall mount.

Note: There are 3 captive screws on the pendant mount. Only 2 screws are shown in the figure above.

4. **NPT pipe entry hole**

A 3/4" NPT threaded hole for NPT pipe conduits.

Pendant NPT Mount



Note: The NPT pipe and NPT-female to NPT-female adapter are not supplied by Avigilon and should be sourced separately. However, if you are using the NPT adapter (IRPTZ-MNT-NPTA1), the lock nut is included.

1. **NPT pipe**

NPT pipe used for a pendant mount with the NPT adapter (IRPTZ-MNT-NPTA1).

2. **Lock nut**

Locking nut for securing the pendant NPT mount on the NPT pipe.

3. **Tamper resistant screws**

Star-shaped captive screws to fix the mounting adapter to the pendant NPT mount.

Note: There are 3 captive screws on the NPT mount. Only 2 screws are shown in the figure above.

4. **Lanyard**

Connects to the lanyard anchor on the mounting adapter.

5. **NPT adapter**

Used to mount the dome camera to NPT pipes.

Pendant Mount Installation

Required Tools and Materials

The following tools are required to complete the installation but are not included in the package:

If you will be installing the NPT adapter (IRPTZ-MNT-NPTA1), you will need:

- 1-1/2" NPT female to female adapter
- NPT pipe

Camera Package Contents

The H4 Multisensor camera has a variety of different mounting, dome cover, camera and accessory options. The components for each H4 Multisensor camera will arrive in a camera package, a dome cover package, a mounting adapter package, a mount package (for pendant mount cameras), and an optional IR Ring package.

Ensure the camera package contains the following:

- Avigilon H4 Multisensor Camera module. A 3- or 4-sensor camera module with 3 MP, 5 MP, or 4K (8 MP) resolution per sensor.
- Audio, external power, and I/O pigtail cable connector
- RJ45 CAT5E plugs (x2)
- RJ45 connector waterproof gland

Ensure the Pendant mount adapter package contains the following:

- Pendant mount adapter (H4AMH-AD-PEND1)
- Installation instructions sheet

If you are installing the camera with the pendant wall mount, ensure the package includes the following:

- Pendant wall mount (IRPTZ-MNT-WALL1)
- Mounting template sticker

If you are installing the camera with the NPT mount, ensure the package includes the following:

- NPT mount (IRPTZ-MNT-NPTA1)
- Lock nut
- Thread sealing tape

Ensure the dome cover package contains the following:

- Clear or smoked dome bubble and cover (H4AMH-DO-COVR1 or H4AMH-DO-COVR1-SMOKE)

If you are installing the camera with the optional IR illuminator, ensure the package includes the following:

- Optional IR illuminator ring (H4AMH-AD-IRIL1)

Pendant Mount Installation Steps

Complete the following sections to install the device.

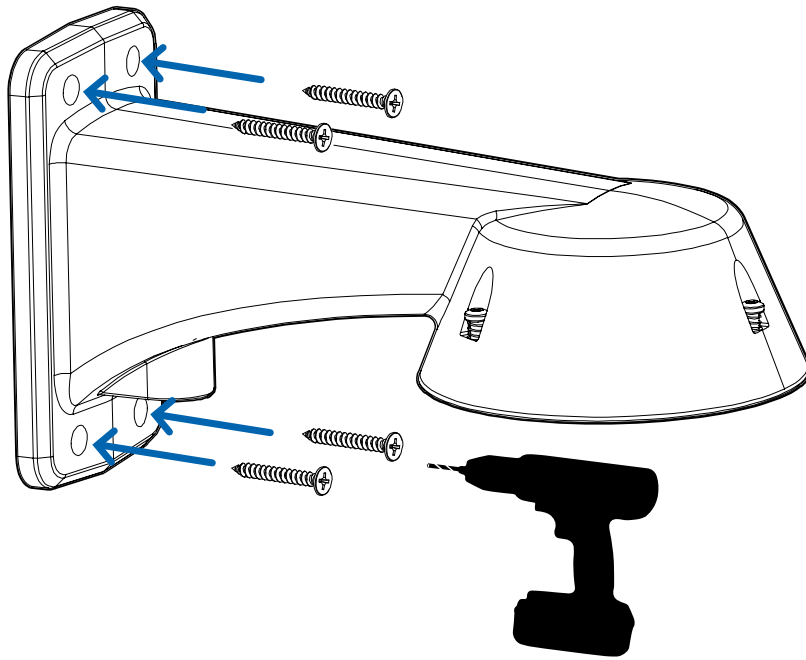
(Optional) Installing the Pendant Wall Mount

Use the procedure below to install the pendant wall mount (IRPTZ-MNT-WALL1) for use with the H4 Multisensor pendant mount adapter (H4AMH-AD-PEND1).

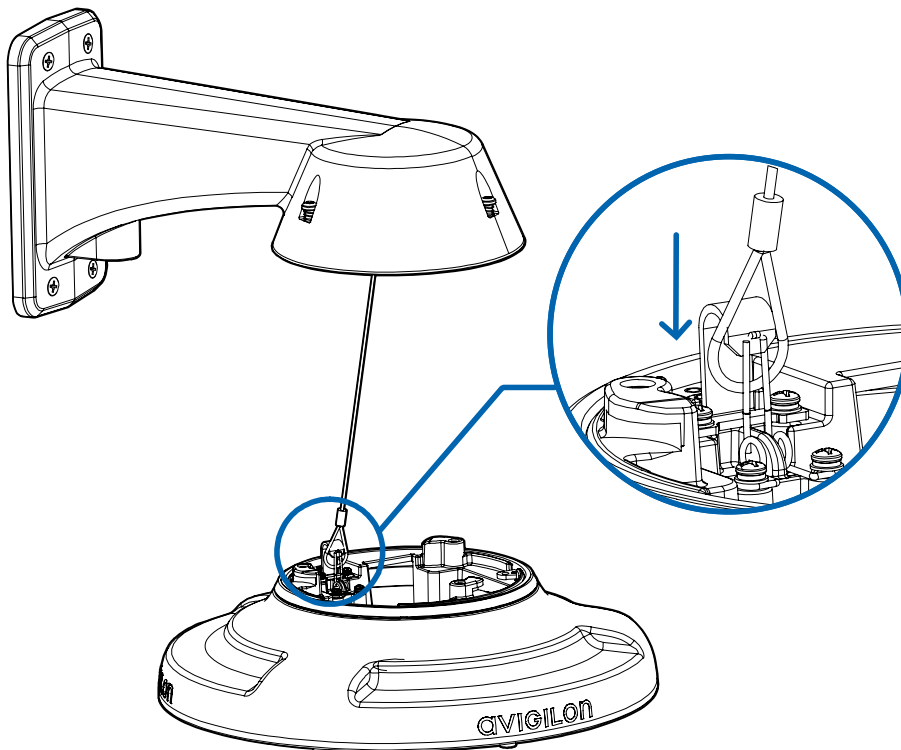


CAUTION — The dome camera must be mounted as instructed below or problems with moisture may arise and will not be covered by the dome camera warranty.

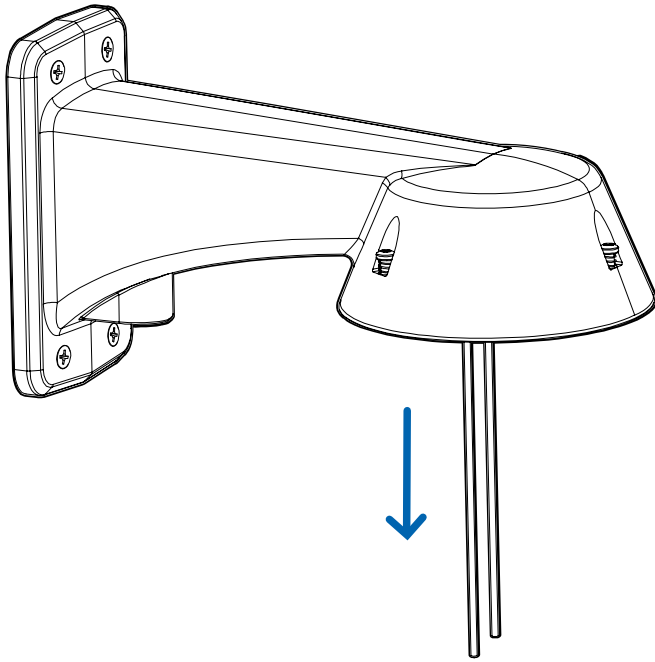
1. Determine where the cables will enter the pendant wall mount.
 - If the cables will be pulled from inside the mounting surface, use the cable entry hole at the rear of the pendant wall mount.
 - If the cables will be coming out of an external conduit pipe, use the 3/4" NPT pipe entry hole on the bottom of the pendant wall mount.
2. Use the provided mounting template to drill four mounting holes into the mounting surface.
 - If you are using the rear cable entry hole, also drill the cable entry hole into the mounting surface.
3. Pull the required cables through the preferred cable entry hole on the pendant wall mount.
 - If you are using the pipe entry hole, pull the cables through the pipe conduit then the wall mount. Next, apply thread seal tape to the pipe conduit and screw it into the pipe entry hole.
4. Fasten the pendant wall mount to the mounting surface.



5. Tighten the wall mount screws to secure the wall mount to the wall.
6. Connect the safety lanyard from the mount to the anchor on the pendant adapter.



7. Pull the cables through the pendant wall mount.



(Optional) Installing the NPT Mount Adapter



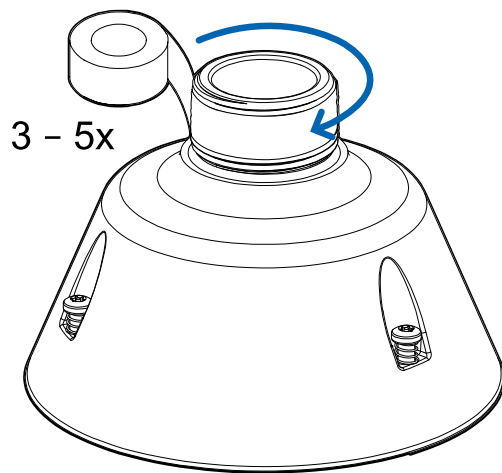
CAUTION — The dome camera must be mounted as instructed below or problems with moisture may arise and will not be covered by the dome camera warranty.

If you are installing the H4 Multisensor camera with an NPT adapter (IRPTZ-MNT-NPTA1), the dome camera must be mounted on a 1-1/2" NPT female threaded wall or ceiling mounting bracket. The mounting bracket is not included in the camera package.

Note: The NPT pipe and NPT-female to NPT-female adapter are not supplied by Avigilon and should be sourced separately. However, if you are using the NPT adapter (IRPTZ-MNT-NPTA1), the lock nut is included.

1. Wrap the thread of the NPT adapter with the supplied thread-sealing tape to create a water tight seal around the camera connection. There should be three to five turns around the entire threaded surface.

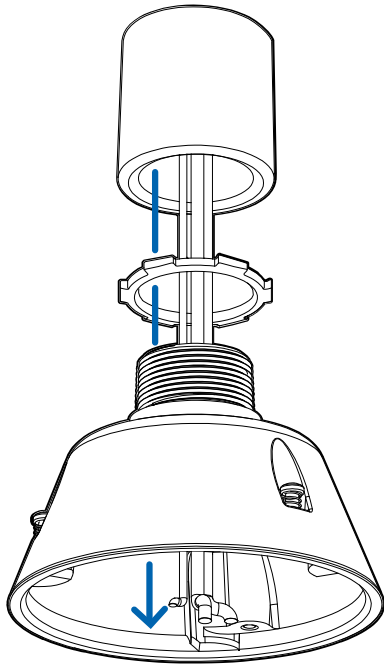
When applying the thread-sealing tape, wrap the tape clockwise.



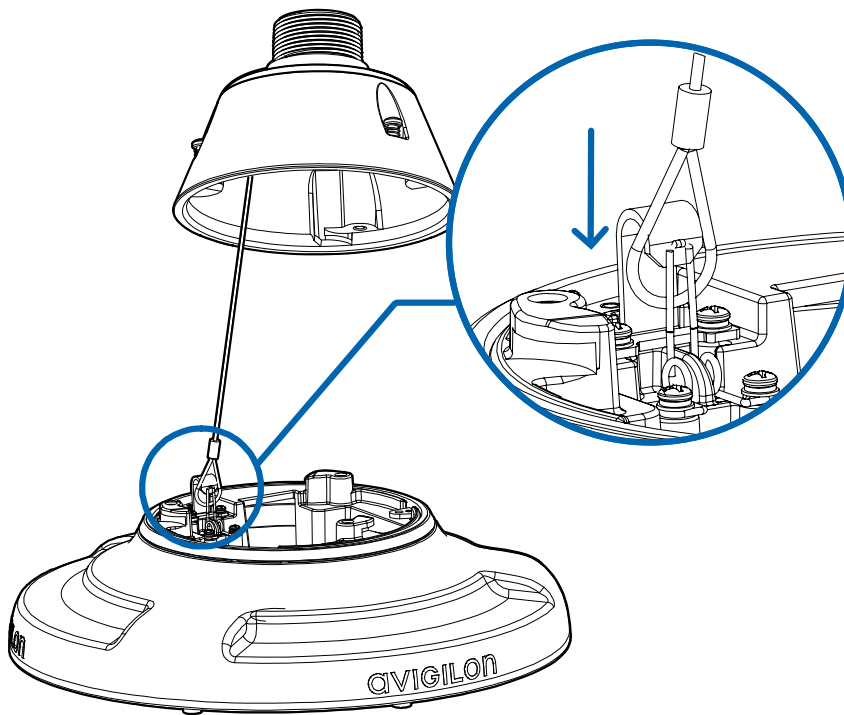
This will ensure the tape does not unravel when installing the mating parts together.

Tip: Always apply thread-sealing tape to threaded mounts to help prevent the threads from binding.

2. Loosely thread the lock nut onto the NPT adapter, then secure the NPT adapter into the wall or ceiling mounting bracket.



3. Connect the safety lanyard from the mount to the anchor on the pendant adapter.



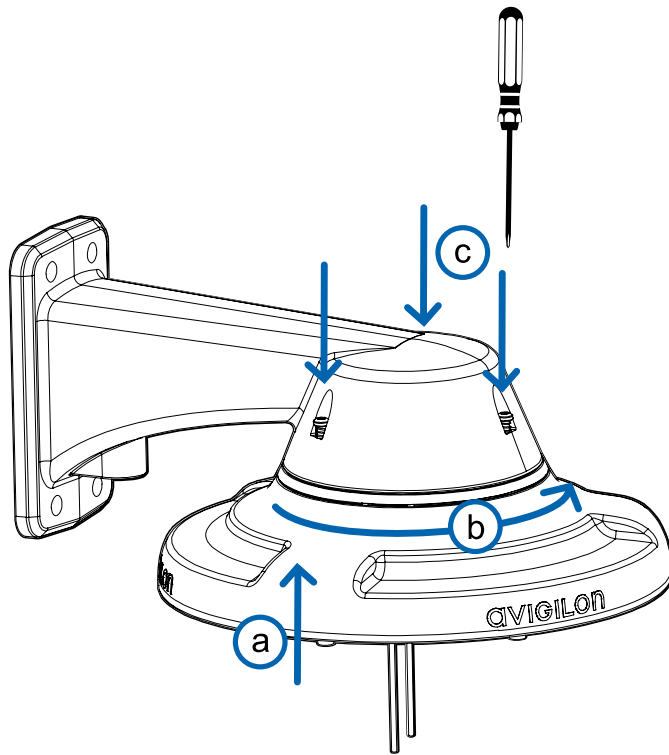
4. Pull the cables through the mounting bracket and adapter.

Installing the Pendant Mounting Adapter

Use the following procedure to mount the pendant adapter (H4AMH-AD-PEND1) into a pendant wall mount

(IRPTZ-MNT-WALL1) or NPT mount (IRPTZ-MNT-NPTA1).

1. Connect the pendant adapter to the mount. In one smooth motion, raise the adapter into the mount (a) and then turn clockwise to lock the adapter in place (b).



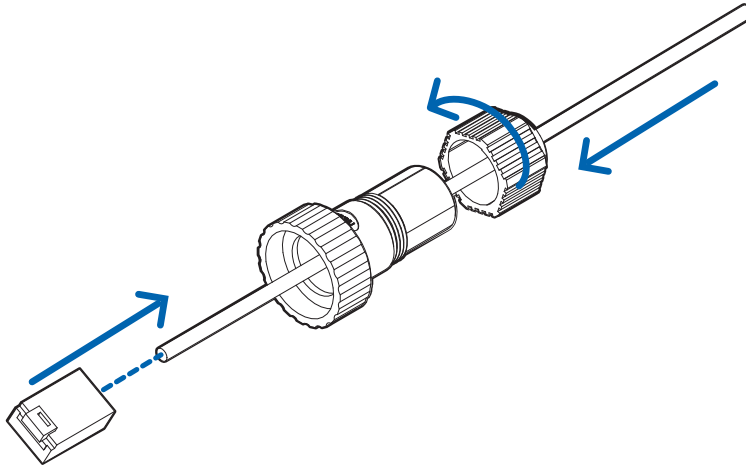
2. Use a screwdriver to tighten the 3 setscrews at the top of the mount to secure the pendant adapter to the mount (c).

Connecting Cables

Refer to the diagrams in the Overview section for the location of the different connectors.

To connect the cables required for proper operation, complete the following:

1. Feed the network cable through the gland cap and cable gland. Crimp the RJ-45 cable connector (supplied) to the end of your network cable.



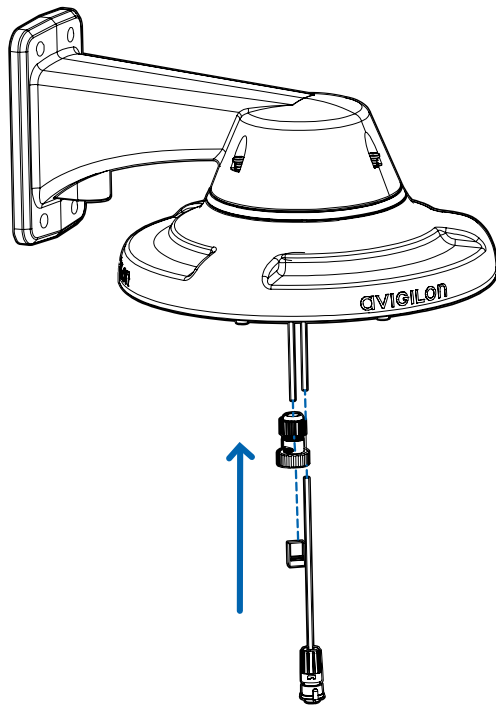
The network cable connection can also be used to supply power to the camera using Power over Ethernet (PoE). If using PoE, connect a PoE compliant injector or switch to the Ethernet network cable with the output rated:

- With IR Ring: 60W PoE mid-span injector (POE-INJ2-60W). Alternatively, connect to a Cisco® UPoE capable switch, supporting 60W over 4 pairs. Note that the Cisco switch must be configured with the *Force Four Pair* option enabled.
- Without IR Ring: Power over Ethernet (PoE) Plus IEEE 802.3at Class 4 — Connect a PoE Plus compliant injector or switch.

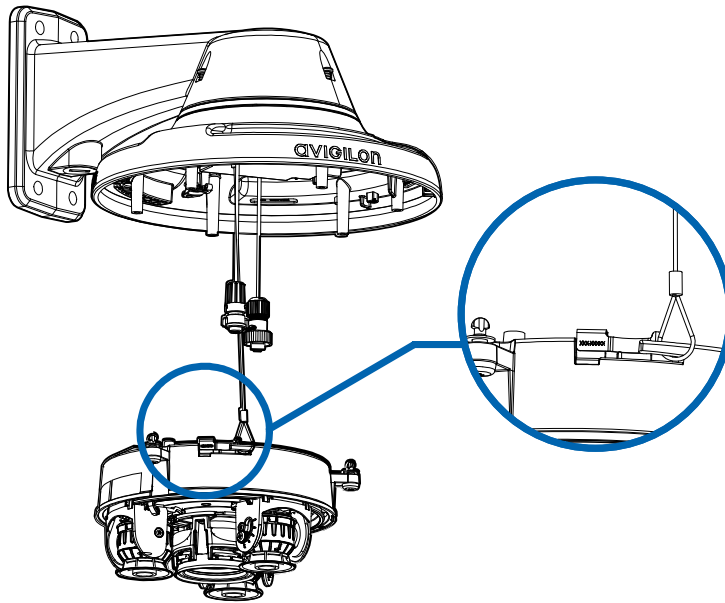
Note: When on UPoE and without an IR ring, the H4 Multisensor will continue to request 60W power on startup, as the IR ring is a hot-pluggable add-on accessory. If the IR ring accessory will never be used, the recommendation is to limit the available power to PoE plus equivalent on the Cisco switch settings.

2. Connect the following optional connections to the supplied pigtail I/O connector. See *Connecting to Power, Audio, and External Devices* on page 70 for more information on the different connections.

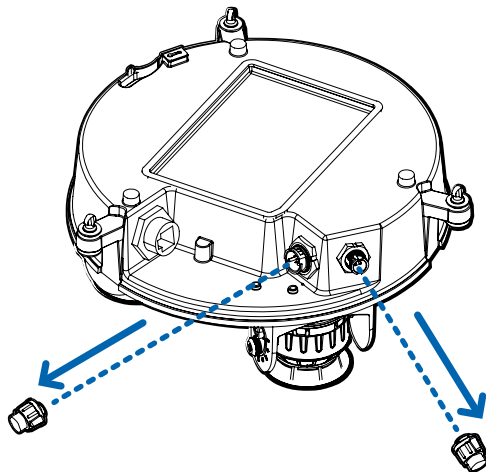
- a. If external input or output devices are part of the installation (for example: door contacts, relays, etc.), wire those devices to the pigtail connector.
- b. If an external microphone or speaker is required, connect the devices to the pigtail connector.
- c. If external power is required, connect an external "Class 2" or "LPS" or "Limited Power Source" to the pigtail connector with output rated:
 - With IR Ring: 24 VAC \pm 10%, 74 VA minimum, or 24 VDC \pm 10%, 52 W minimum.
 - Without IR Ring: 24 VAC \pm 10%, 37 VA minimum, or 24 VDC \pm 10%, 26 W minimum.



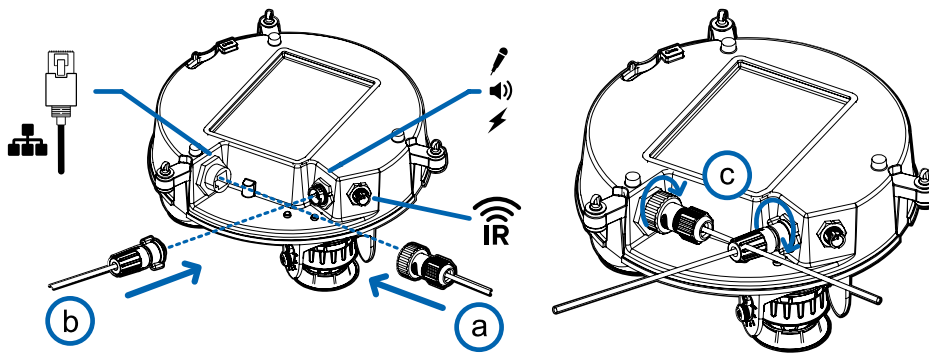
3. Connect the safety lanyard from the mounting adapter to the lanyard anchor on the camera base.



4. Tighten the cable glands around the cables.
5. Remove the connector covers from the external power/audio/digital I/O connector and the optional IR illuminator connector.



6. Connect the network cable to the Ethernet port (a) and the external power/audio/digital I/O cable to its connector (b). Secure the connections by turning them clockwise (c).



The Link LED will turn on once a network link has been established.

7. Check that the Connection Status LED indicator indicates the correct state. For more information, see *Connection Status LED Indicator* on page 73.

(Optional) Configuring microSD Card Storage

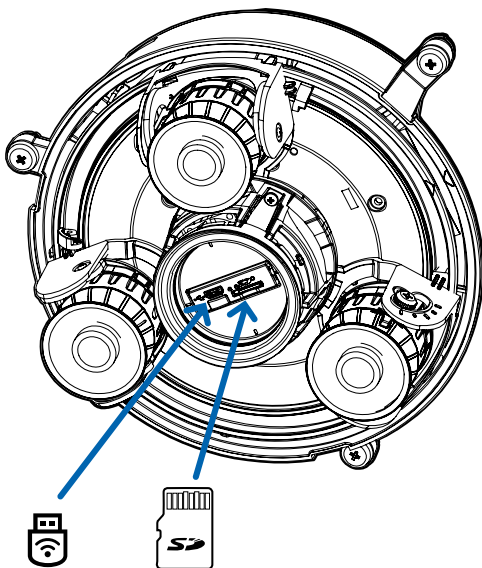
To use the camera's SD card storage feature, you must insert a microSD card into the card slot.

It is recommended that the microSD card have a write speed of class 10 or better. If the microSD card does not meet the recommended write speed, the recording performance may suffer and result in the loss of frames or footage.

1. Insert a microSD card into the camera.



CAUTION — Do not force the microSD card into the camera or you may damage the card and the camera.




2. Access the camera's web interface to enable the onboard storage feature. For more information, see the *Avigilon High Definition H.264 Camera Web Interface User Guide*.

Initializing a Camera Username and Password

Cameras manufactured after January 1, 2020, do not have a default username or password and will be in a factory default state.

Important: You must create a user with *administrator* privileges before the camera is operational.

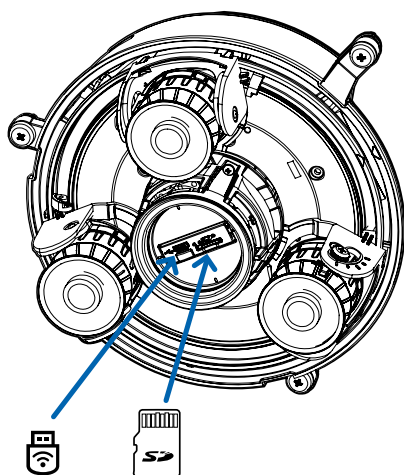
The first user can be created using any of the following methods:

- Camera's Web Interface: enter the camera's IP address in a web browser to access the web interface. If the camera is in the factory default state you will be redirected to the Add a new user page to create the first user. For more information, see the *Avigilon High Definition H4 and H5 IP Camera Web Interface User Guide*.
- Camera Configuration Tool version 1.4.4 or later: cameras discovered in the factory default state will be identified by . Select the **Admin Users** tab to create the first user. For more information, see the *Avigilon Camera Configuration Tool User Guide*.
- USB Wi-Fi Adapter: when connecting a camera in the factory default state, you will be redirected to the Create Administrator User page to create the first user. For more information, see *Avigilon USB Wi-Fi Adapter System User Guide*.
- Avigilon Control Center software version 7.4 or later, or version 6.14.12 or later: when connecting a camera in the factory default state, the client software will ask you to create a new user. For more information, see the *Avigilon Control Center Client User Guide*.
- Avigilon Cloud Services (ACS) v3.0 or later: when adding a camera you will be asked to create a new user for cameras in the factory default state. For more information, see the *Avigilon Cloud Services User Guide*.

Tip: If you are connecting your Avigilon camera to a 3rd party VMS, you will need to set up the first user through the camera's Web Interface, USB Wifi Adapter, or Camera Configuration Tool before you connect to the 3rd party VMS.

(Optional) Using the USB Wi-Fi Adapter

If you have a USB Wi-Fi Adapter (H4-AC-WIFI), attach it to the camera's micro USB port to access the camera's mobile web interface.



After you connect to the Wi-Fi signal broadcast by the adapter, you can access the mobile web interface from any mobile device using the following address:

`http://camera.lan`

For more information about configuring the camera from the mobile web interface see *Avigilon USB Wi-Fi Adapter System User Guide*.

Note: The camera will reserve the 10.11.22.32/28 subnet for internal use while the USB Wi-Fi Adapter is plugged in.

Assigning an IP Address

The device automatically obtains an IP address when it is connected to a network.

Note: If the device cannot obtain an IP address from a DHCP server, it will use Zero Configuration Networking (Zeroconf) to choose an IP address. When set using Zeroconf, the IP address is in the 169.254.0.0/16 subnet.

The IP address settings can be changed using one of the following methods:

- The mobile web interface using the USB Wifi Adapter. For more information, see *(Optional) Using the USB Wi-Fi Adapter* on the previous page.
- Device's web browser interface: `http://<camera IP address>/`.
- Network Video Management software application (for example, the AvigilonControl Center™ software).
- ARP/Ping method. For more information, see *Setting the IP Address Using the ARP/Ping Method* on page 76.

Note:

Depending on the manufacture date of your camera, you will have one of the two options below to log in for the first time:

- Cameras manufactured after January 1, 2020: these cameras do not have a default username or password and will be in a factory default state. **You must create a user with administrator privileges before the camera is operational.** For more information, see *Initializing a Camera Username and Password* on page 62.
- Cameras manufactured before January 1, 2020: login to the camera using the default username of `administrator` with no password. It is recommended that you change the password after your first login.

Note: You will be unable to connect an H4 Multisensor camera to ACC™ software version 6.12 or older if any of the H4 Multisensor heads have their **Format** set to **H.265** on the Compression and Image Rate page of the camera's web interface. To connect an H4 Multisensor camera to an ACC system, be sure to set the **Format** to **H.264** or to upgrade the ACC software to v6.12.2 or later.

Accessing the Live Video Stream

Live video stream can be viewed using one of the following methods:

- The mobile web interface using the USB Wifi Adapter. For more information, see *(Optional) Using the USB Wi-Fi Adapter* on page 28.
- Web browser interface: `http://< camera IP address >/`.
- Network Video Management software application (for example, the AvigilonControl Center software).

Note:

Depending on the manufacture date of your camera, you will have one of the two options below to log in for the first time:

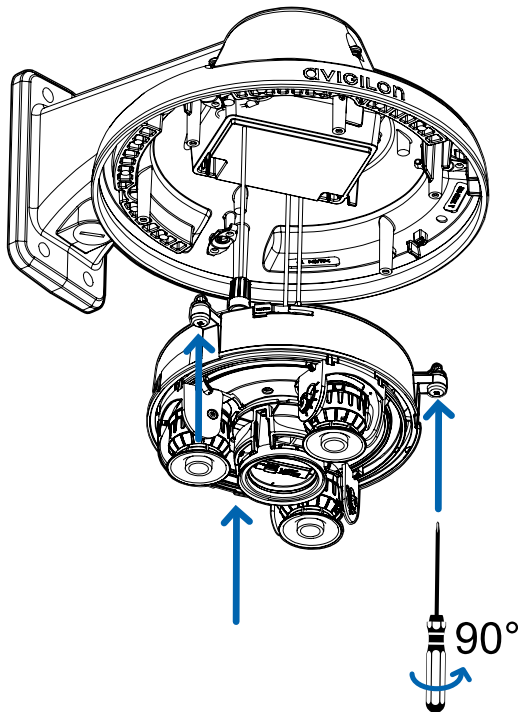
- Cameras manufactured after January 1, 2020: these cameras do not have a default username or password and will be in a factory default state. **You must create a user with administrator privileges before the camera is operational.** For more information, see *Initializing a Camera Username and Password* on page 62.
- Cameras manufactured before January 1, 2020: login to the camera using the default username of `administrator` with no password. It is recommended that you change the password after your first login.

Note: You will be unable to connect an H4 Multisensor camera to ACC software version 6.12 or older if any of the H4 Multisensor heads have their **Format** set to **H.265** on the Compression and Image Rate page of the camera's web interface. To connect an H4 Multisensor camera to an ACC system, be sure to set the **Format** to **H.264** or to upgrade the ACC software to v6.12.2 or later.

Installing the H4 Multisensor Camera Base to a Pendant Mount

After the cable connections have been made, mount the H4 Multisensor camera base into the pendant mount adapter.

1. (Recommended) Attach a safety lanyard from the pendant mount adapter to the lanyard anchor on the camera base to prevent the camera from falling. See *Connecting Cables* on page 24.
2. Push the camera base into the pendant adapter so that the 3 setscrews in the camera base align with the screw holes in the pendant adapter.

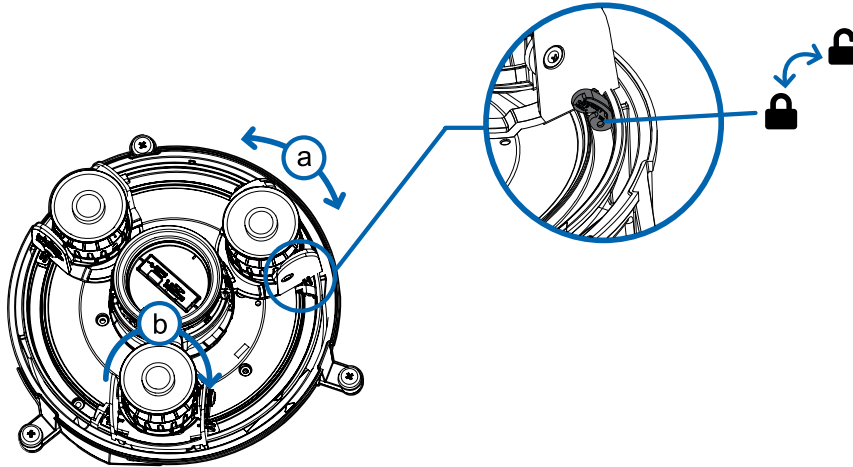


3. Use a screwdriver to turn the 3 setscrews clockwise by 90° and secure the camera to the pendant mount adapter.

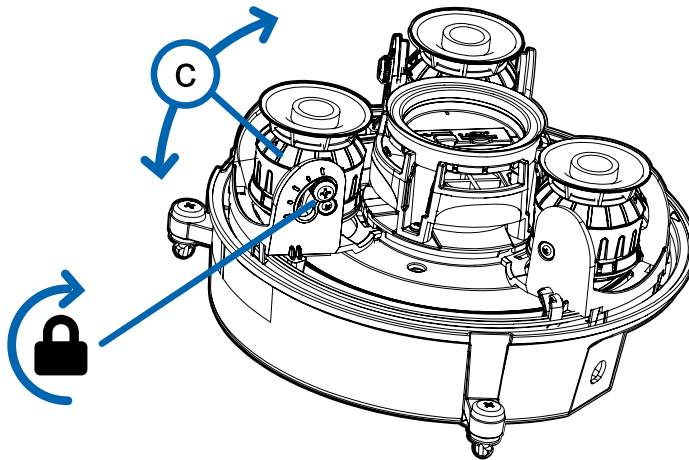
Aiming the H4 Multisensor Camera

Reference the camera's live stream as you aim the camera.

1. To aim the camera, adjust each of the available camera heads as required:
 - a. Unlock the rail release tab to move the camera head from side to side. Lock the rail release tab when the camera head is in the desired position.
 - b. Rotate the azimuth control ring to set the image in the correct rotation.



- c. Loosen the tilt lock screws to tilt each camera head up and down. Tighten the tilt lock screws when the camera is tilted in the correct angle.



2. In the camera web browser interface, adjust the camera's Image and Display settings to achieve the desired image parameters and position.

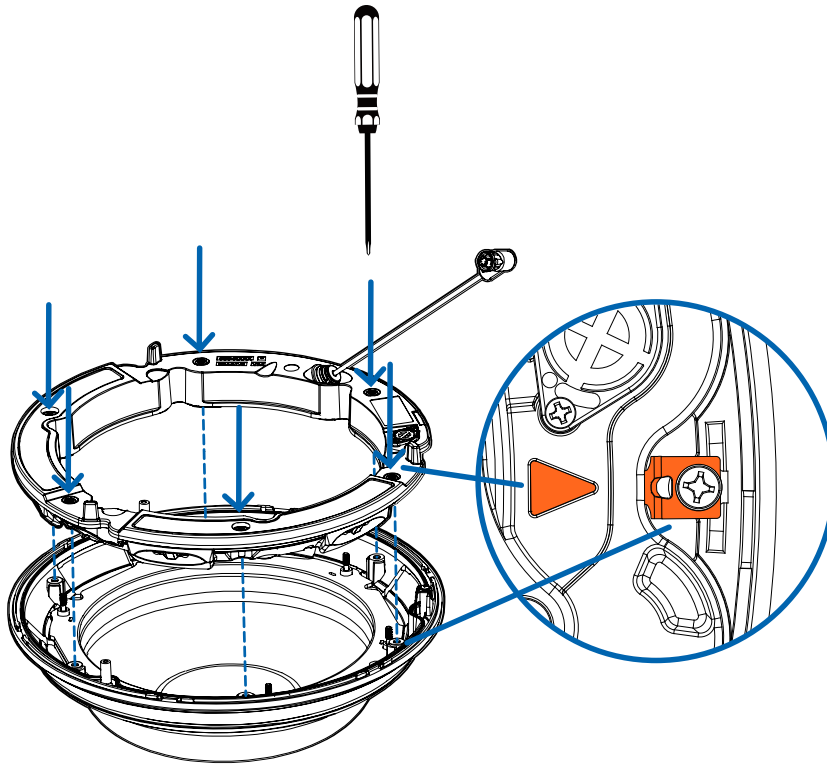
(Optional) Installing the IR Illuminator Ring

Note: The optional IR illuminator ring (H4AMH-AD-IRIL1) is compatible with the pendant and surface mount installations of the H4 Multisensor camera. The hot-pluggable IR illuminator ring must be

mounted in an outdoor dome cover (H4AMH-DO-COVR1 or H4AMH-DO-COVR1-SMOKE).

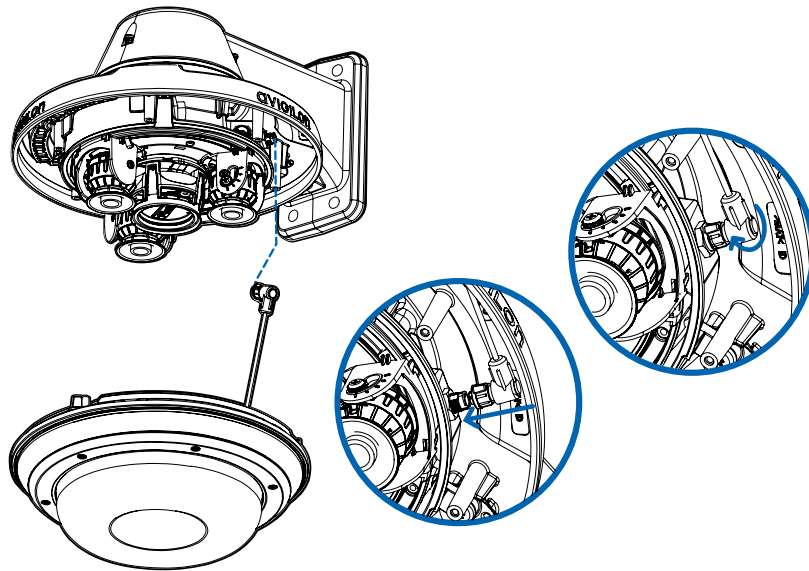
After the camera has been mounted into the mounting adapter, install the IR illuminator ring with the H4 Multisensor camera base:

1. Mount the IR illuminator ring into the dome cover (H4AMH-DO-COVR1 or H4AMH-DO-COVR1-SMOKE):
 - a. Insert the IR ring into the dome cover so that the orange arrow on the IR ring aligns with the orange tab on the dome cover.



- b. Use a screwdriver to secure the IR ring to the dome cover by tightening the 6 setscrews.
2. (Recommended) Attach a safety lanyard from the mounted camera to the lanyard anchor on the dome cover to prevent the cover from falling. See *Installing the Pendant Mount Dome Cover* on the next page.
3. Push the IR ring cable onto IR connector on the camera base and turn the connector clockwise to

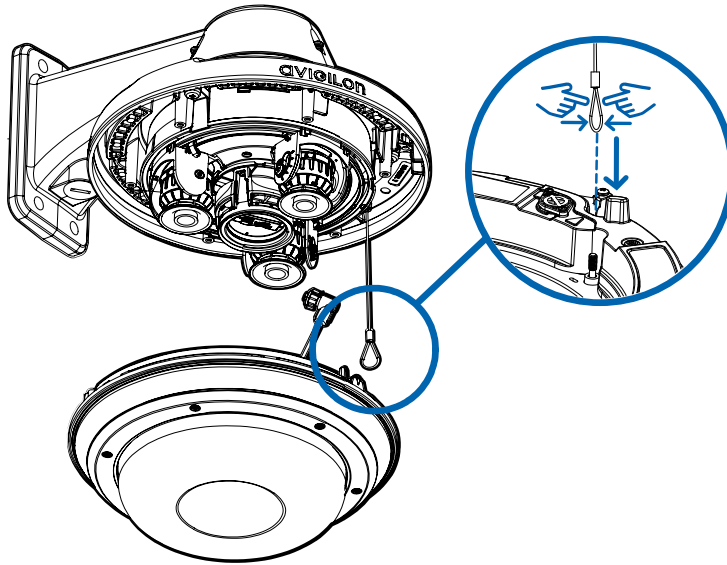
secure the connection.



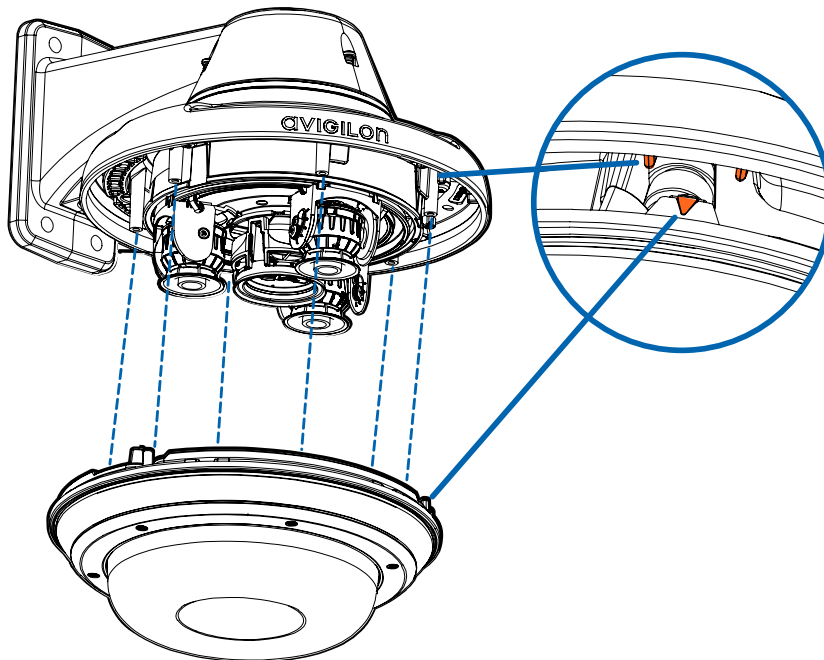
Installing the Pendant Mount Dome Cover

Note: Be careful not to scratch or touch the dome bubble. The resulting marks or fingerprints may affect the overall image quality. Keep the protective covers on the outside of the dome bubble until the installation is complete.

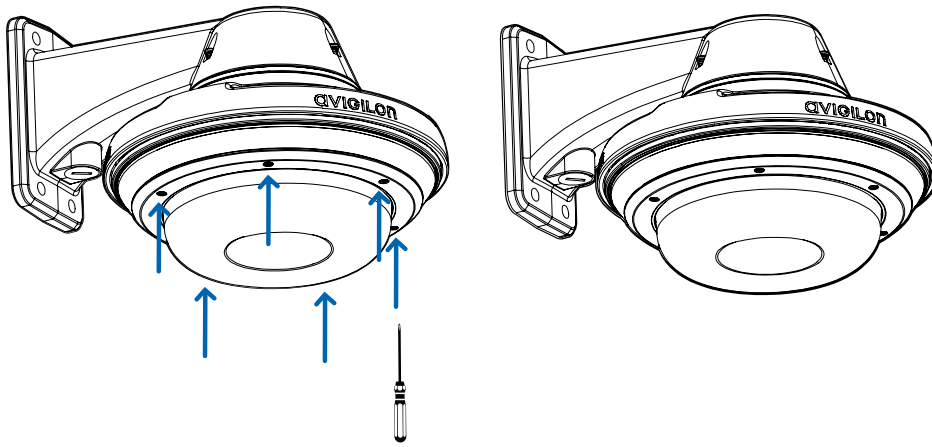
1. (Recommended) Attach a safety lanyard from the pendant mount adapter to the lanyard anchor on the dome cover to prevent the dome cover from falling.



2. Align the notches on the dome cover with the release tab on the pendant mount adapter. The dome cover should be flush against the pendant mount adapter.



3. Tighten the setscrews to secure the dome cover in place.



Surface Mount Installation

Camera Package Contents

The H4 Multisensor camera has a variety of different mounting, dome cover, camera and accessory options. The components for each H4 Multisensor camera will arrive in a camera package, a dome cover package, a mounting adapter package, a mount package (for pendant mount cameras), and an optional IR Ring package.

Ensure the camera package contains the following:

- Avigilon H4 Multisensor Camera module. A 3- or 4-sensor camera module with 3 MP, 5 MP, or 4K (8 MP) resolution per sensor.
- Audio, external power, and I/O pigtail cable connector
- RJ45 CAT5E plugs (x2)
- RJ45 connector waterproof gland

Ensure the Surface mount adapter package contains the following:

- Surface mount adapter (H4AMH-AD-DOME1)
- Installation instructions sheet
- Mounting template sticker

Ensure the dome cover package contains the following:

- Clear or smoked dome bubble and cover (H4AMH-DO-COVR1 or H4AMH-DO-COVR1-SMOKE)

If you are installing the camera with the optional IR illuminator, ensure the package includes the following:

- Optional IR illuminator ring (H4AMH-AD-IRIL1)

Surface Mount Installation Steps

Complete the following sections to install the device.

Installing the Surface Mount Adapter

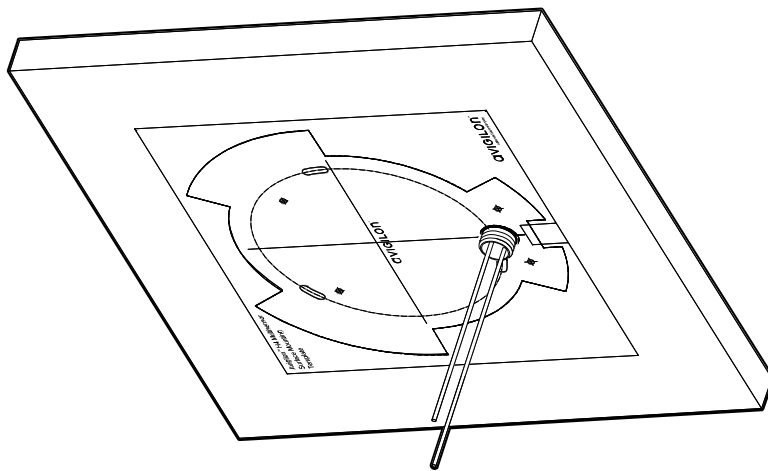
Follow this procedure to route camera cables and install the surface mount adapter (H4AMH-AD-DOME1) to the mounting surface.

1. Determine where the cables will enter the camera. The surface mount adapter has two cable entry holes: one on the side and one on the bottom of the mounting adapter.
 - Use the supplied closure plug to fill the unused cable entry hole.
 - When installing outdoors, wrap the threads of the closure plug with plumber's tape to create a watertight seal.

Note: Only use vandal-resistant conduits to route cables into the mounting adapter. Vandal-resistant conduits will protect the cables and compliment the camera's vandal-resistant design.

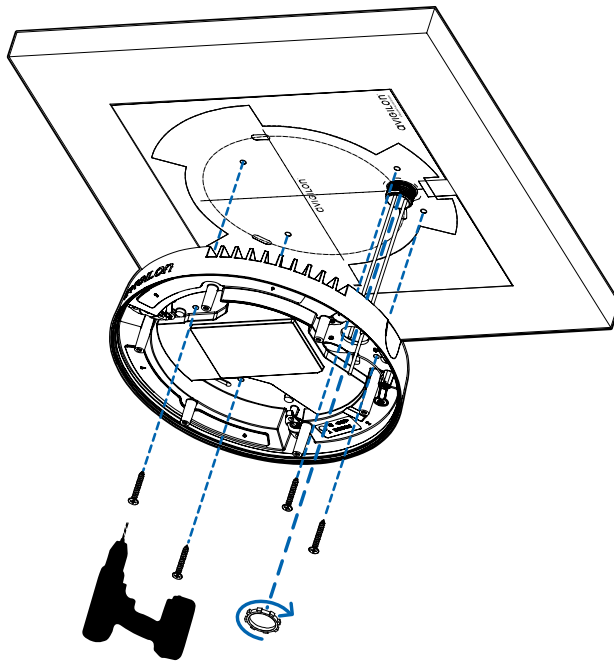
Note: When installing the H4 Multisensor surface mount camera outdoors, ensure the conduit and its fitting are designed for outdoor use and have a suitable IP rating. Always apply silicone sealant to seal the cable entry hole and prevent excessive moisture from entering the camera.

2. If you are using the rear cable entry hole:
 - a. Use the supplied mounting template to determine the cable entry location. Drill a hole in the mounting surface and route the conduit and cables through the hole. Install the conduit and its fitting as instructed by the manufacturer.



- b. Drill 4 mounting holes as marked on the mounting template.
- c. Pull the cables through the rear cable entry hole on the surface mount adapter.
- d. Use a screwdriver to secure the mounting adapter to the mounting surface with the 4 mounting

screws.



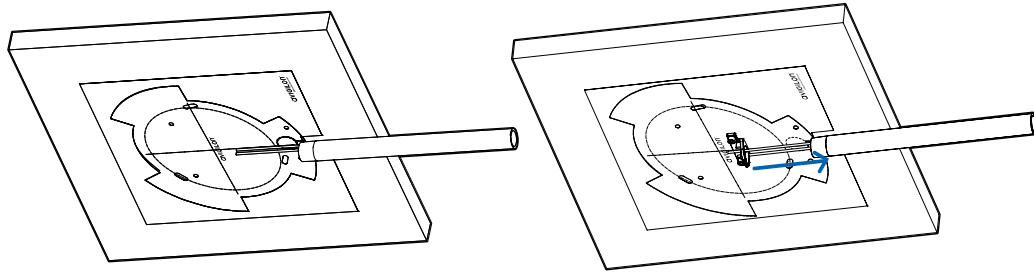
- e. Secure the conduit to the surface mount adapter with the lock nut.

Note: If installing outdoors, apply silicone sealant around the edge of the surface mount adapter that is connected to the mounting surface.

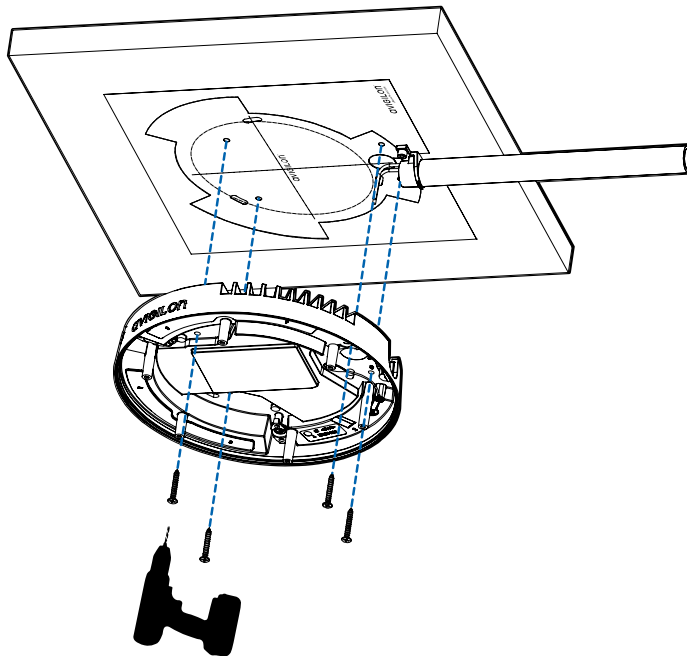
3. If you are using the side cable entry hole:

Note: If you are installing the camera outdoors on a vertical surface, the side cable entry hole and conduit connector must face downwards to prevent excessive moisture from entering the camera.

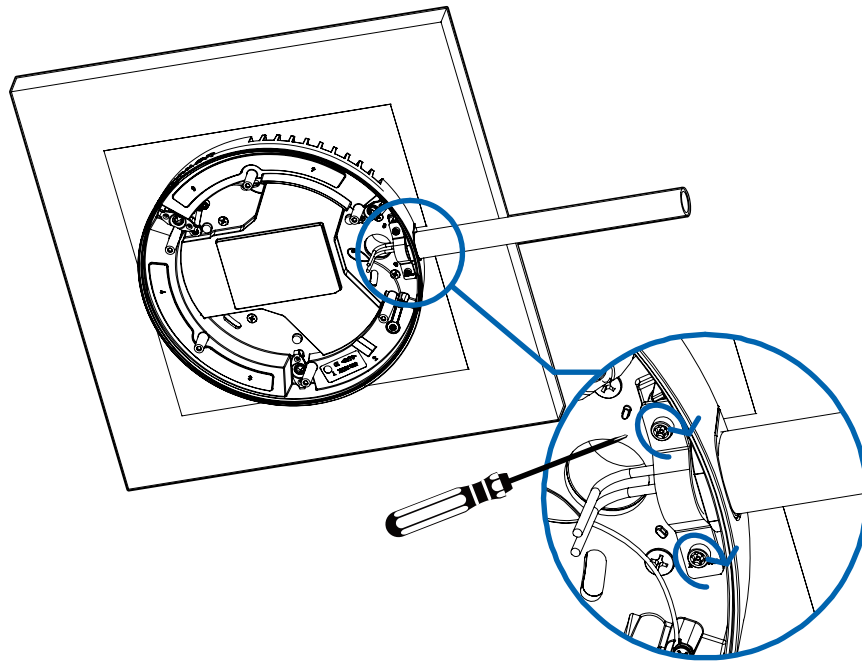
- a. Use the supplied mounting template to determine the cable entry location. Run the cables and conduit to the side opening as marked on the mounting template. Install the conduit and its fitting as instructed by the manufacturer.



- b. Drill 4 mounting holes as marked on the mounting template.
- c. Pull the cables through the side cable entry hole on the surface mount adapter.
- d. Use a screwdriver to secure the mounting adapter to the mounting surface with the 4 mounting screws.



- e. Secure the conduit to the surface mount adapter with the conduit clamp.



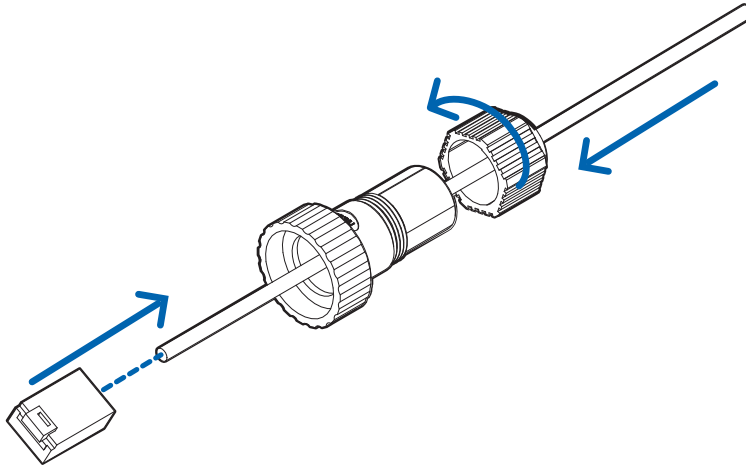
Note: If installing outdoors, apply silicone sealant around the edge of the surface mount adapter that is connected to the mounting surface.

Connecting Cables

Refer to the diagrams in the Overview section for the location of the different connectors.

To connect the cables required for proper operation, complete the following:

1. Feed the network cable through the gland cap and cable gland. Crimp the RJ-45 cable connector (supplied) to the end of your network cable.



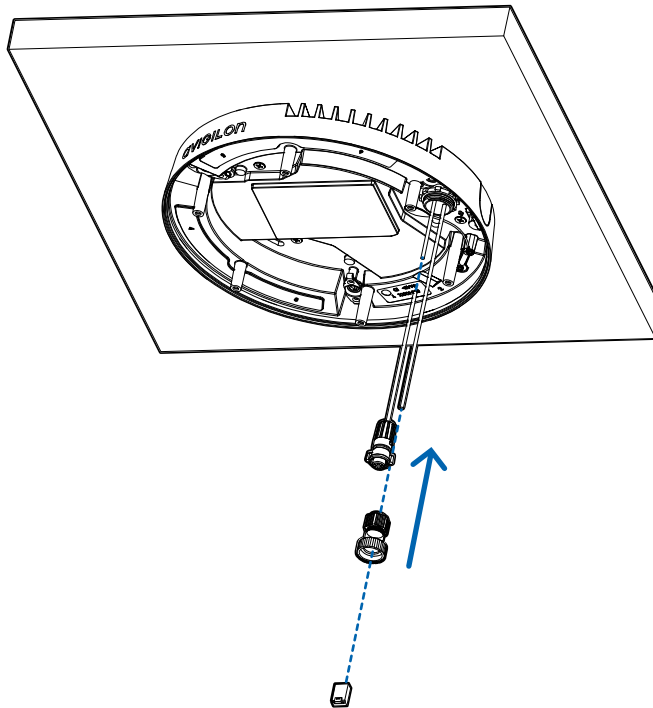
The network cable connection can also be used to supply power to the camera using Power over Ethernet (PoE). If using PoE, connect a PoE compliant injector or switch to the Ethernet network cable with the output rated:

- With IR Ring: 60W PoE mid-span injector (POE-INJ2-60W). Alternatively, connect to a Cisco® UPoE capable switch, supporting 60W over 4 pairs. Note that the Cisco switch must be configured with the *Force Four Pair* option enabled.
- Without IR Ring: Power over Ethernet (PoE) Plus IEEE 802.3at Class 4 — Connect a PoE Plus compliant injector or switch.

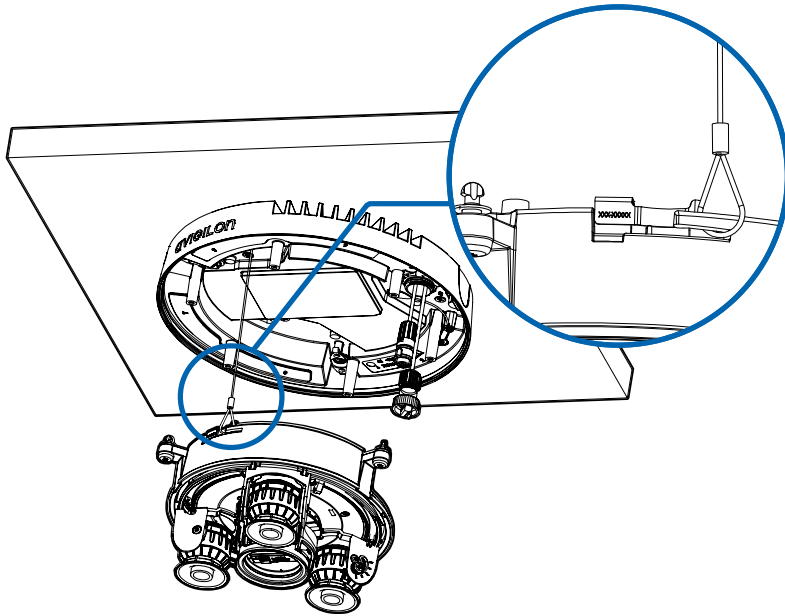
Note: When on UPoE and without an IR ring, the H4 Multisensor will continue to request 60W power on startup, as the IR ring is a hot-pluggable add-on accessory. If the IR ring accessory will never be used, the recommendation is to limit the available power to PoE plus equivalent on the Cisco switch settings.

2. Connect the following optional connections to the supplied pigtail I/O connector. See *Connecting to Power, Audio, and External Devices* on page 70 for more information on the different connections.

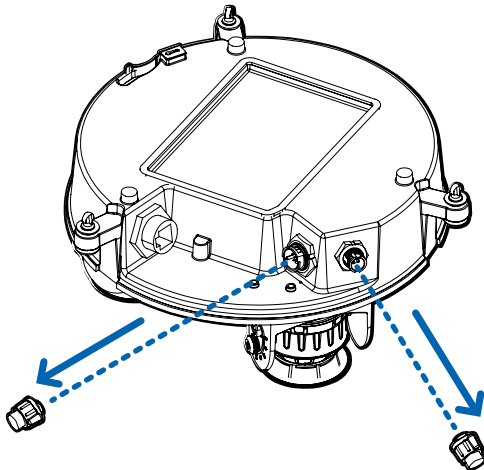
- a. If external input or output devices are part of the installation (for example: door contacts, relays, etc.), wire those devices to the pigtail connector.
- b. If an external microphone or speaker is required, connect the devices to the pigtail connector.
- c. If external power is required, connect an external "Class 2" or "LPS" or "Limited Power Source" to the pigtail connector with output rated:
 - With IR Ring: 24 VAC \pm 10%, 74 VA minimum, or 24 VDC \pm 10%, 52 W minimum.
 - Without IR Ring: 24 VAC \pm 10%, 37 VA minimum, or 24 VDC \pm 10%, 26 W minimum.



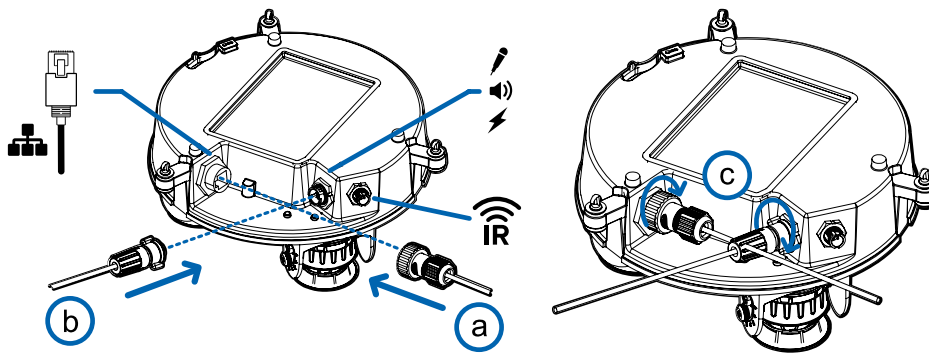
3. Connect the safety lanyard from the mounting adapter to the lanyard anchor on the camera base.



4. Tighten the cable glands around the cables.
5. Remove the connector covers from the external power/audio/digital I/O connector and the optional IR illuminator connector.



6. Connect the network cable to the Ethernet port (a) and the external power/audio/digital I/O cable to its connector (b). Secure the connections by turning them clockwise (c).



The Link LED will turn on once a network link has been established.

7. Check that the Connection Status LED indicator indicates the correct state. For more information, see *Connection Status LED Indicator* on page 73.

(Optional) Configuring microSD Card Storage

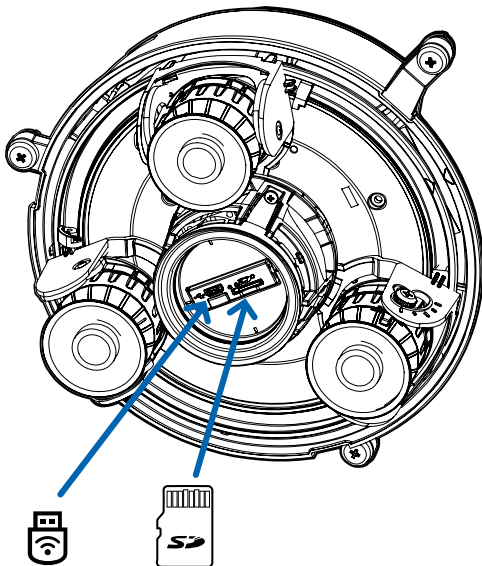
To use the camera's SD card storage feature, you must insert a microSD card into the card slot.

It is recommended that the microSD card have a write speed of class 10 or better. If the microSD card does not meet the recommended write speed, the recording performance may suffer and result in the loss of frames or footage.

1. Insert a microSD card into the camera.



CAUTION — Do not force the microSD card into the camera or you may damage the card and the camera.




2. Access the camera's web interface to enable the onboard storage feature. For more information, see the *Avigilon High Definition H.264 Camera Web Interface User Guide*.

Initializing a Camera Username and Password

Cameras manufactured after January 1, 2020, do not have a default username or password and will be in a factory default state.

Important: You must create a user with *administrator* privileges before the camera is operational.

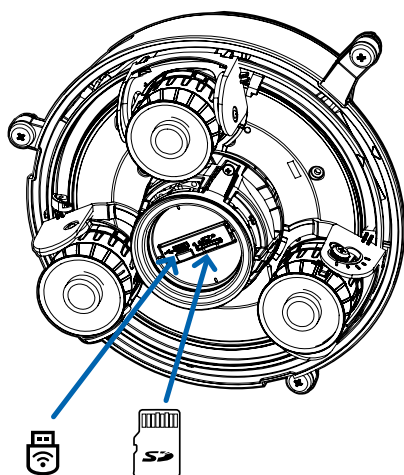
The first user can be created using any of the following methods:

- Camera's Web Interface: enter the camera's IP address in a web browser to access the web interface. If the camera is in the factory default state you will be redirected to the Add a new user page to create the first user. For more information, see the *Avigilon High Definition H4 and H5 IP Camera Web Interface User Guide*.
- Camera Configuration Tool version 1.4.4 or later: cameras discovered in the factory default state will be identified by . Select the **Admin Users** tab to create the first user. For more information, see the *Avigilon Camera Configuration Tool User Guide*.
- USB Wi-Fi Adapter: when connecting a camera in the factory default state, you will be redirected to the Create Administrator User page to create the first user. For more information, see *Avigilon USB Wi-Fi Adapter System User Guide*.
- Avigilon Control Center software version 7.4 or later, or version 6.14.12 or later: when connecting a camera in the factory default state, the client software will ask you to create a new user. For more information, see the *Avigilon Control Center Client User Guide*.
- Avigilon Cloud Services (ACS) v3.0 or later: when adding a camera you will be asked to create a new user for cameras in the factory default state. For more information, see the *Avigilon Cloud Services User Guide*.

Tip: If you are connecting your Avigilon camera to a 3rd party VMS, you will need to set up the first user through the camera's Web Interface, USB Wifi Adapter, or Camera Configuration Tool before you connect to the 3rd party VMS.

(Optional) Using the USB Wi-Fi Adapter

If you have a USB Wi-Fi Adapter (H4-AC-WIFI), attach it to the camera's micro USB port to access the camera's mobile web interface.



After you connect to the Wi-Fi signal broadcast by the adapter, you can access the mobile web interface from any mobile device using the following address:

`http://camera.lan`

For more information about configuring the camera from the mobile web interface see *Avigilon USB Wi-Fi Adapter System User Guide*.

Note: The camera will reserve the 10.11.22.32/28 subnet for internal use while the USB Wi-Fi Adapter is plugged in.

Assigning an IP Address

The device automatically obtains an IP address when it is connected to a network.

Note: If the device cannot obtain an IP address from a DHCP server, it will use Zero Configuration Networking (Zeroconf) to choose an IP address. When set using Zeroconf, the IP address is in the 169.254.0.0/16 subnet.

The IP address settings can be changed using one of the following methods:

- The mobile web interface using the USB Wifi Adapter. For more information, see *(Optional) Using the USB Wi-Fi Adapter* on the previous page.
- Device's web browser interface: `http://<camera IP address>/`.
- Network Video Management software application (for example, the AvigilonControl Center software).
- ARP/Ping method. For more information, see *Setting the IP Address Using the ARP/Ping Method* on page 76.

Note:

Depending on the manufacture date of your camera, you will have one of the two options below to log in for the first time:

- Cameras manufactured after January 1, 2020: these cameras do not have a default username or password and will be in a factory default state. **You must create a user with administrator privileges before the camera is operational.** For more information, see *Initializing a Camera Username and Password* on page 62.
- Cameras manufactured before January 1, 2020: login to the camera using the default username of `administrator` with no password. It is recommended that you change the password after your first login.

Note: You will be unable to connect an H4 Multisensor camera to ACC software version 6.12 or older if any of the H4 Multisensor heads have their **Format** set to **H.265** on the Compression and Image Rate page of the camera's web interface. To connect an H4 Multisensor camera to an ACC system, be sure to set the **Format** to **H.264** or to upgrade the ACC software to v6.12.2 or later.

Accessing the Live Video Stream

Live video stream can be viewed using one of the following methods:

- The mobile web interface using the USB Wifi Adapter. For more information, see *(Optional) Using the USB Wi-Fi Adapter* on page 46.
- Web browser interface: `http://< camera IP address >/`.
- Network Video Management software application (for example, the AvigilonControl Center software).

Note:

Depending on the manufacture date of your camera, you will have one of the two options below to log in for the first time:

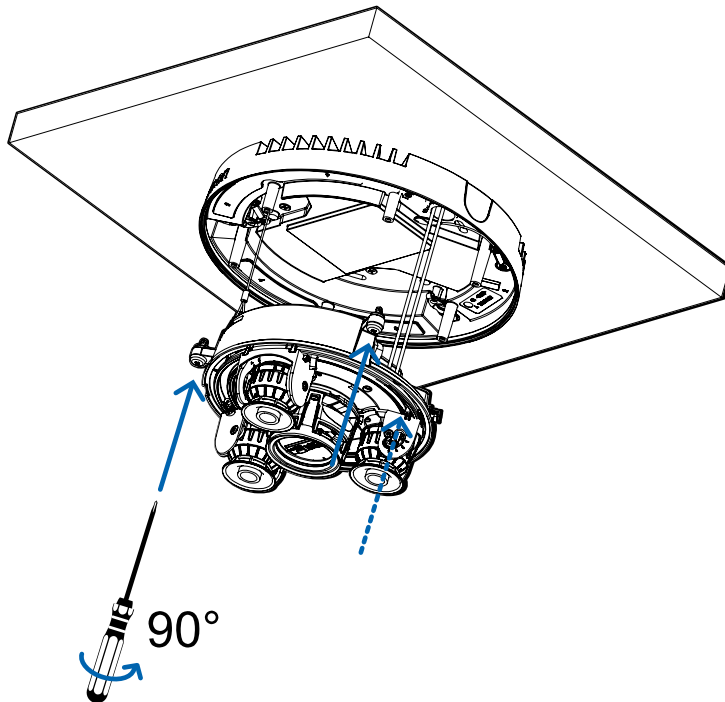
- Cameras manufactured after January 1, 2020: these cameras do not have a default username or password and will be in a factory default state. **You must create a user with administrator privileges before the camera is operational.** For more information, see *Initializing a Camera Username and Password* on page 62.
- Cameras manufactured before January 1, 2020: login to the camera using the default username of `administrator` with no password. It is recommended that you change the password after your first login.

Note: You will be unable to connect an H4 Multisensor camera to ACC software version 6.12 or older if any of the H4 Multisensor heads have their **Format** set to **H.265** on the Compression and Image Rate page of the camera's web interface. To connect an H4 Multisensor camera to an ACC system, be sure to set the **Format** to **H.264** or to upgrade the ACC software to v6.12.2 or later.

Installing the H4 Multisensor Camera Base to a Surface Mount

After the cable connections have been made, mount the H4 Multisensor camera base into the surface mount adapter.

1. (Recommended) Attach a safety lanyard from the surface mount adapter to the lanyard anchor on the camera base to prevent the camera from falling. See *Connecting Cables* on page 42.
2. Push the camera base into the surface mount adapter so that the 3 setscrews in the camera base align with the screw holes in the surface mount adapter.

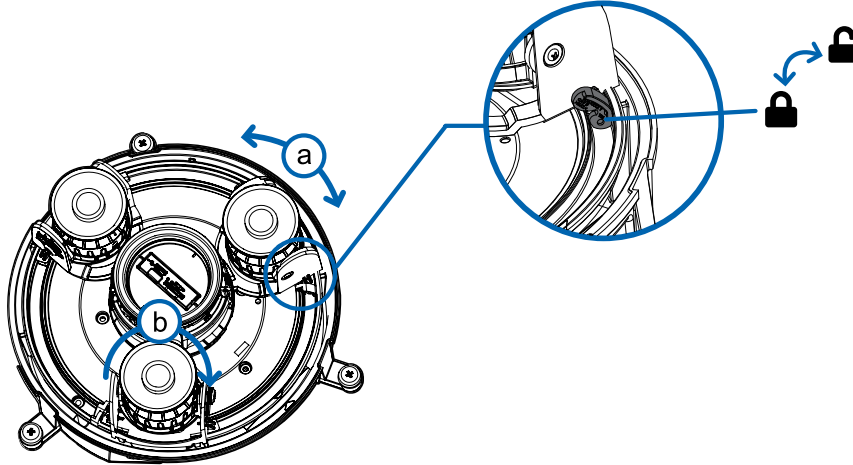


3. Use a screwdriver to turn the 3 setscrews clockwise by 90° and secure the camera to the surface mount adapter.

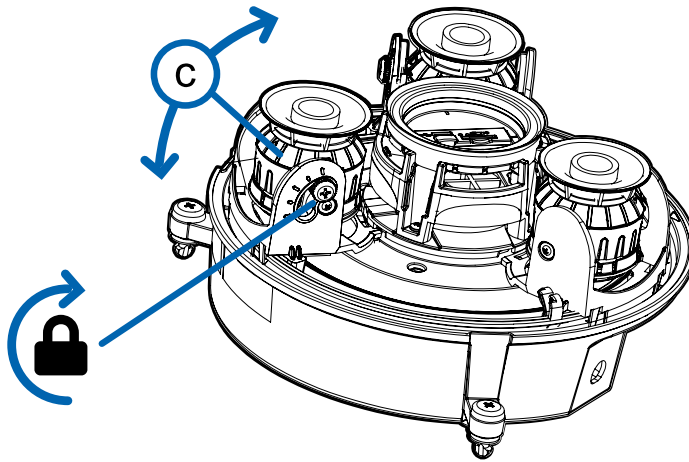
Aiming the H4 Multisensor Camera

Reference the camera's live stream as you aim the camera.

1. To aim the camera, adjust each of the available camera heads as required:
 - a. Unlock the rail release tab to move the camera head from side to side. Lock the rail release tab when the camera head is in the desired position.
 - b. Rotate the azimuth control ring to set the image in the correct rotation.



- c. Loosen the tilt lock screws to tilt each camera head up and down. Tighten the tilt lock screws when the camera is tilted in the correct angle.



2. In the camera web browser interface, adjust the camera's Image and Display settings to achieve the desired image parameters and position.

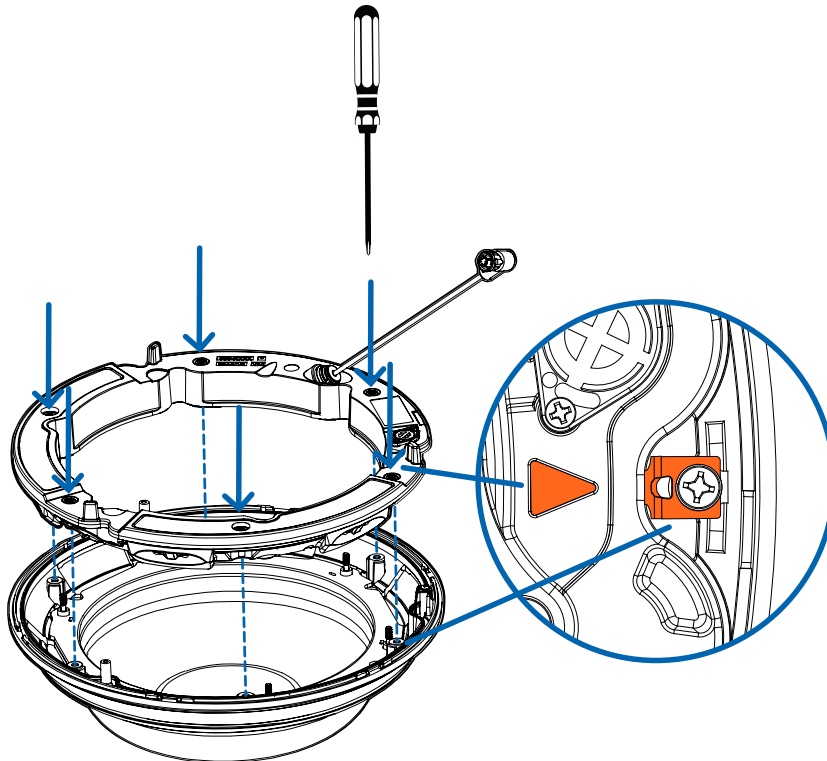
(Optional) Installing the IR Illuminator Ring

Note: The optional IR illuminator ring (H4AMH-AD-IRIL1) is compatible with the pendant and surface mount installations of the H4 Multisensor camera. The hot-pluggable IR illuminator ring must be

mounted in an outdoor dome cover (H4AMH-DO-COVR1 or H4AMH-DO-COVR1-SMOKE).

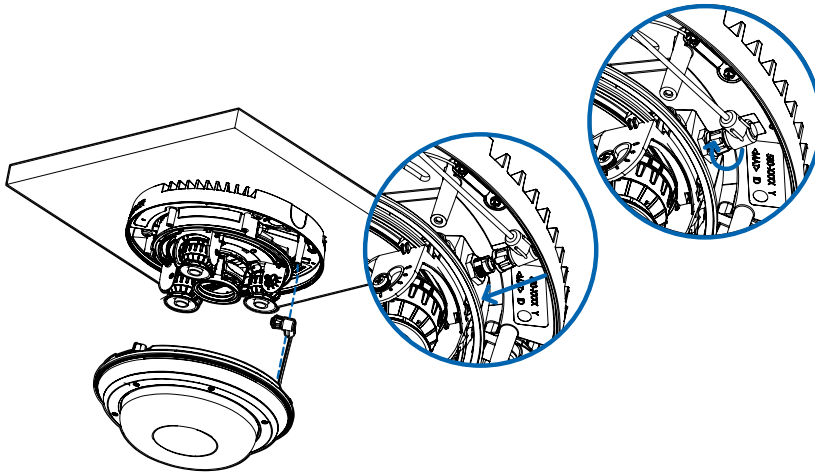
After the camera has been mounted into the mounting adapter, install the IR illuminator ring with the H4 Multisensor camera base:

1. Mount the IR illuminator ring into the dome cover (H4AMH-DO-COVR1 or H4AMH-DO-COVR1-SMOKE):
 - a. Insert the IR ring into the dome cover so that the orange arrow on the IR ring aligns with the orange tab on the dome cover.



- b. Use a screwdriver to secure the IR ring to the dome cover by tightening the 6 setscrews.
2. (Recommended) Attach a safety lanyard from the mounted camera to the lanyard anchor on the dome cover to prevent the cover from falling. See *Installing the Surface Mount Dome Cover* on the next page.
3. Push the IR ring cable onto IR connector on the camera base and turn the connector clockwise to

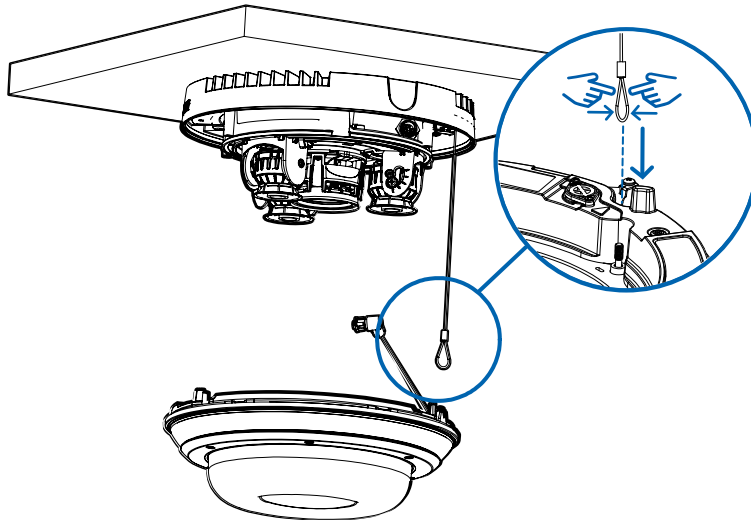
secure the connection.



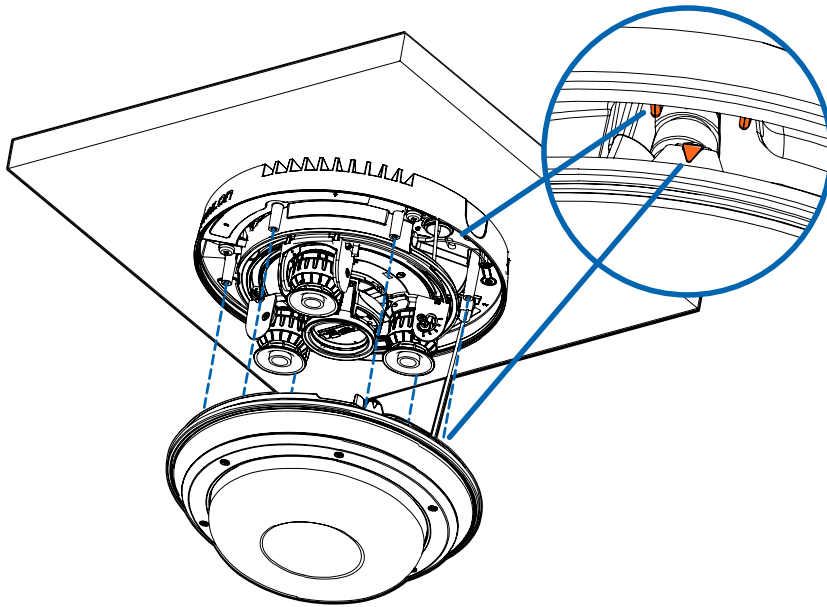
Installing the Surface Mount Dome Cover

Note: Be careful not to scratch or touch the dome bubble. The resulting marks or fingerprints may affect the overall image quality. Keep the protective covers on the outside of the dome bubble until the installation is complete.

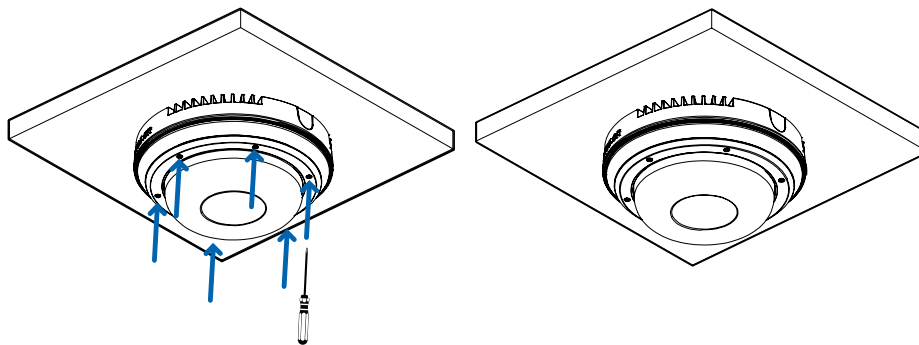
1. (Recommended) Attach a safety lanyard from the surface mount adapter to the lanyard anchor on the dome cover to prevent the dome cover from falling.



2. Align the notches on the dome cover with the release tab on the surface mount adapter. The dome cover should be flush against the surface mount adapter.



3. Tighten the setscrews to secure the dome cover in place.



In-Ceiling Mount Installation

Camera Package Contents

The H4 Multisensor camera has a variety of different mounting, dome cover, camera and accessory options. The components for each H4 Multisensor camera will arrive in a camera package, a dome cover package, a mounting adapter package, a mount package (for pendant mount cameras), and an optional IR Ring package.

Ensure the camera package contains the following:

- Avigilon H4 Multisensor Camera module. A 3- or 4-sensor camera module with 3 MP, 5 MP, or 4K (8 MP) resolution per sensor.
- Audio, external power, and I/O pigtail cable connector
- RJ45 CAT5E plugs (x2)
- RJ45 connector waterproof gland

Ensure the In-Ceiling mount adapter package contains the following:

- In-ceiling mount adapter (H4AMH-AD-CEIL1)
- Cable entry cover
- Installation instructions sheet
- Mounting template sticker

Ensure the dome cover package contains the following:

- Clear or smoked dome bubble and cover (H4AMH-DC-COVR1 or H4AMH-DC-COVR1-SMOKE)

If you are installing the in-ceiling camera with the metal ceiling panel, ensure the package includes the following:

- Metal ceiling panel (H4AMH-DC-CPNL1)

In-Ceiling Mount Installation Steps

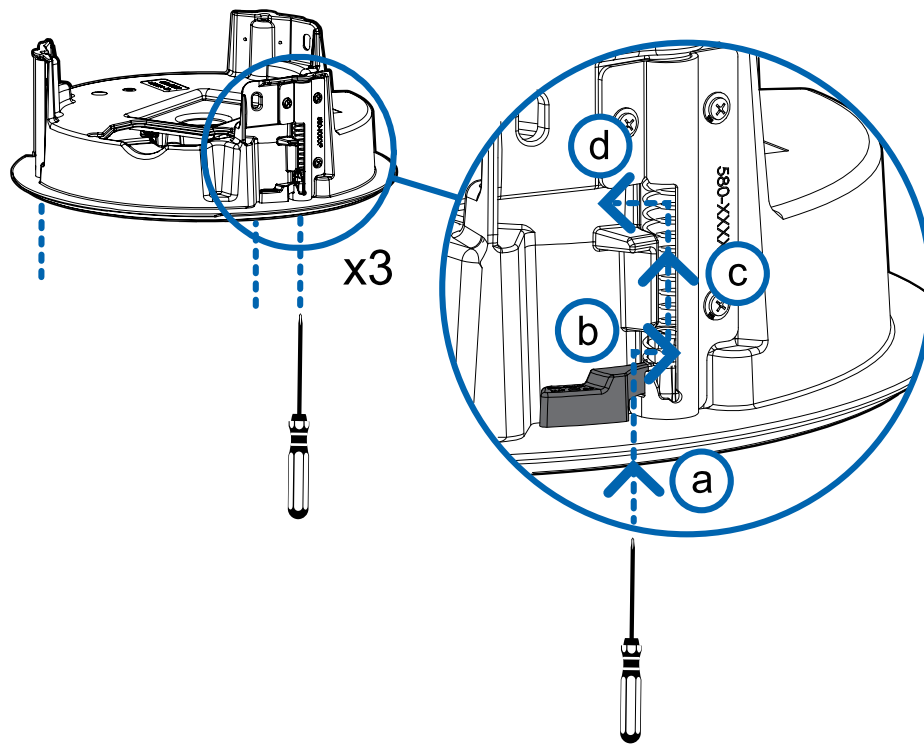
Complete the following sections to install the device.

Preparing the Camera for In-Ceiling Installation

Before starting the installation, prepare the in-ceiling adapter for installation:

1. If you are planning to use onboard storage, insert a microSD card into the SD card slot on the H4 Multisensor camera. For more information, see *(Optional) Configuring microSD Card Storage* on page 61.
2. Use a screwdriver to push each of the clamps into their top positions and ensure their springs are fully compressed. In one smooth motion, push each clamp up (a), clockwise (b), up again (c), and then

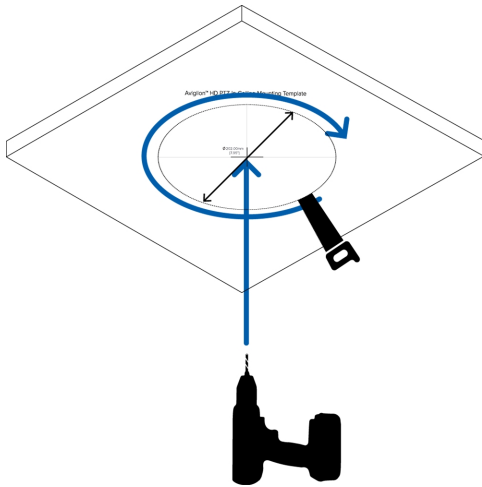
counter-clockwise (d).



(Optional) Cutting the Mounting Hole for the In-Ceiling Mount Adapter

This procedure is not required if you are planning to install the camera with a metal ceiling panel (H4AMH-DC-CPNL1).

1. Use the mounting template to cut a hole in the mounting surface.

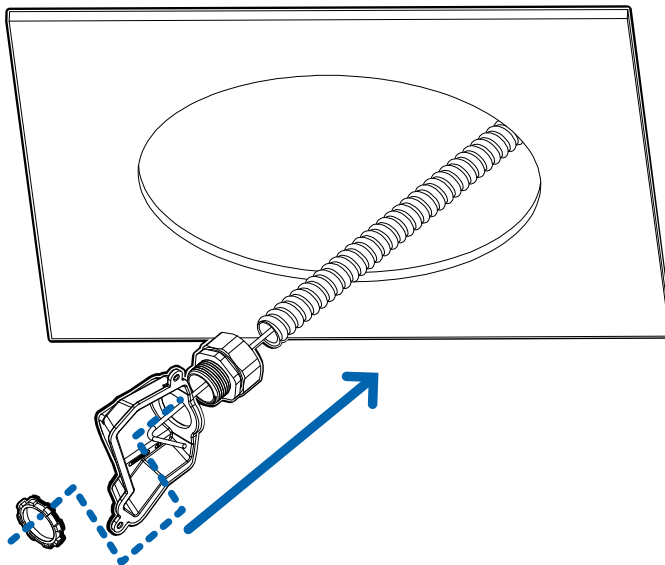


2. Remove the mounting template and pull the required cables through the mounting hole. If you are using a conduit pipe to route the cables, see *(Optional) Attaching the Conduit Cable Entry Cover for Plenum Installations* below.

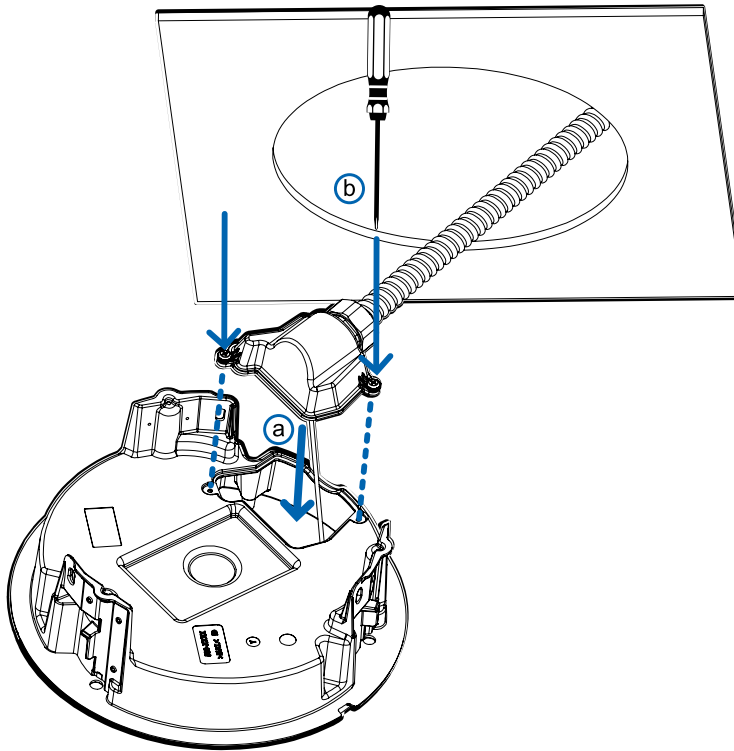
(Optional) Attaching the Conduit Cable Entry Cover for Plenum Installations

If you are installing the H4 Multisensor camera into a plenum space, use a conduit pipe and the cable entry cover to route the cables through the in-ceiling adapter.

1. Route the required cables through a conduit pipe at the installation location.
2. Attach a conduit connector to the cable entry cover. Install the conduit and its fitting as instructed by the manufacturer. Make sure the conduit is securely fastened to the cable entry cover.



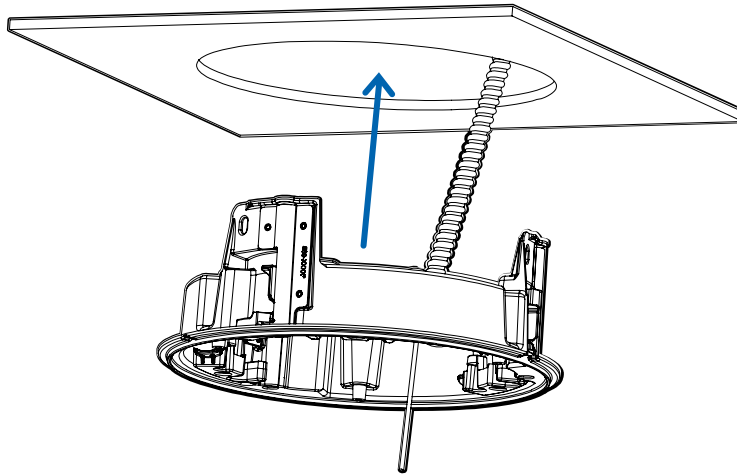
3. Pull the required cables through the conduit and cable entry cover, then through the cable entry hole in the in-ceiling adapter (a). Fasten the cable entry cover over the cable entry hole in the in-ceiling adapter using the provided setscrews (b).



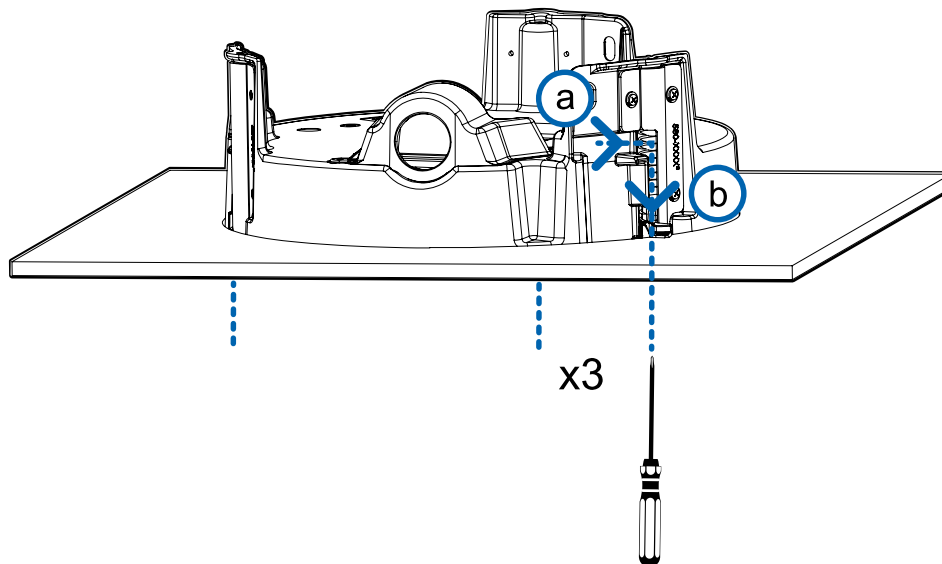
Installing the In-Ceiling Mounting Adapter

Use the following procedure to mount the in-ceiling adapter into a plenum space or the metal ceiling panel (H4AMH-DC-CPNL1).

1. After routing the cables through the in-ceiling adapter, push the adapter into the hole in the mounting surface.



2. Use a screwdriver to lower each of the clamps from their top positions and secure the adapter to the mounting surface. In one smooth motion, move each clamp clockwise (a), and then down to its secure position (b).



Connecting Cables

Refer to the diagrams in the Overview section for the location of the different connectors.

To connect the cables required for proper operation, complete the following:

1. Crimp the RJ-45 cable connector (supplied) to the end of your network cable.

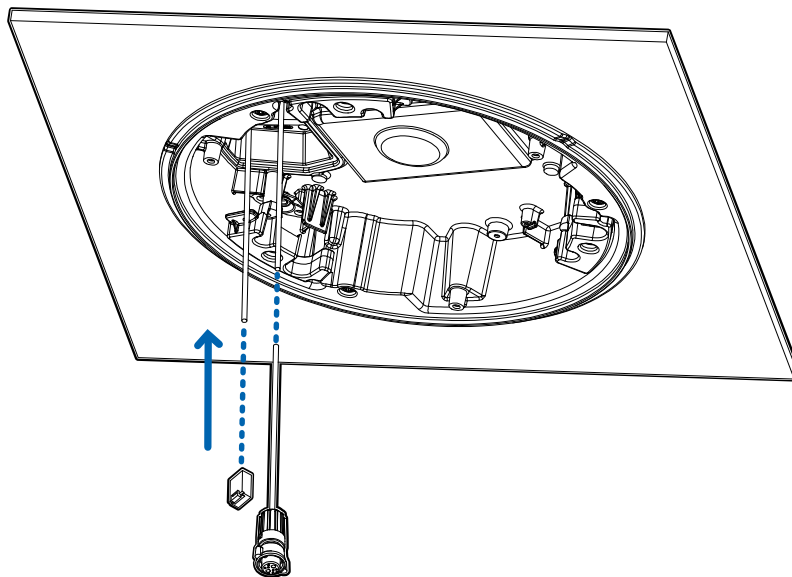
The network cable connection can also be used to supply power to the camera using Power over Ethernet (PoE). If using PoE, connect a PoE compliant injector or switch to the Ethernet network cable with the output rated:

- 25.5 W PoE+, IEEE802.3at Type 2 PoE+.

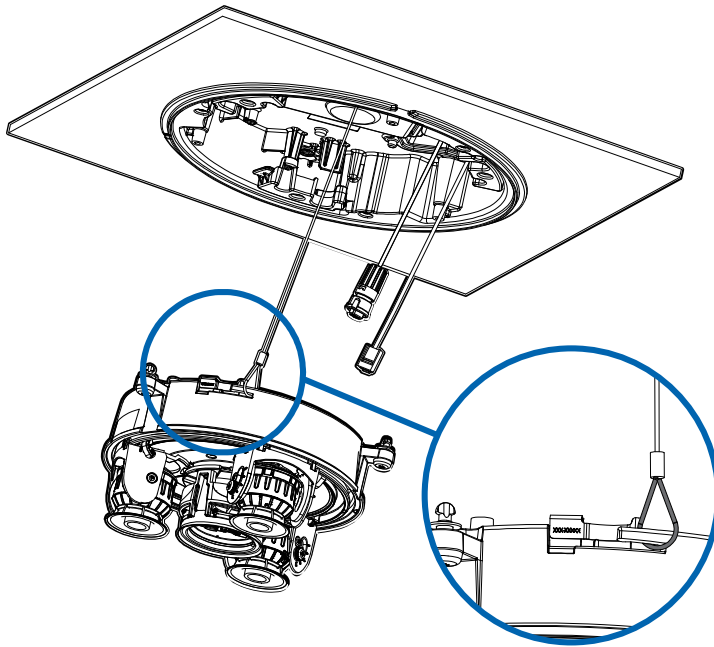
2. Connect the following optional connections to the supplied pigtail I/O connector. See *Connecting to Power, Audio, and External Devices* on page 70 for more information on the different connections.

- a. If external input or output devices are part of the installation (for example: door contacts, relays, etc.), wire those devices to the pigtail connector.
- b. If an external microphone or speaker is required, connect the devices to the pigtail connector.
- c. If external power is required, connect an external "Class 2" or "LPS" or "Limited Power Source" to the pigtail connector with output rated:

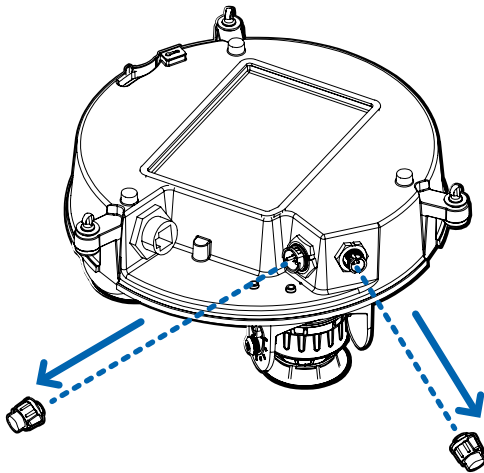
- 24 VAC \pm 10%, 37 VA minimum, or 24 VDC \pm 10%, 26 W minimum.



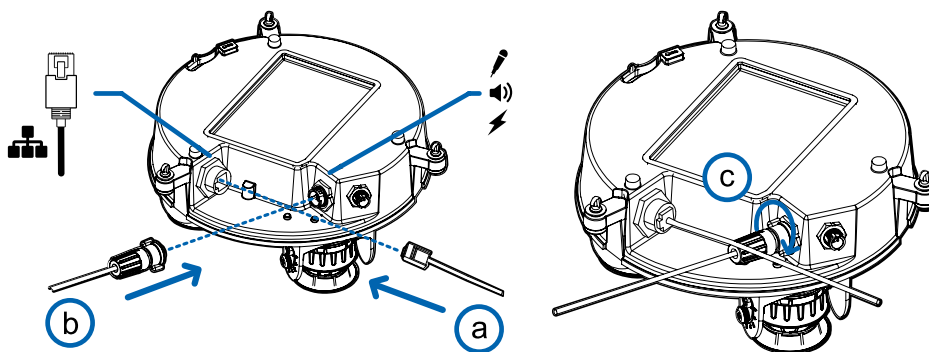
3. Connect the safety lanyard from the mounting adapter to the lanyard anchor on the camera base.



4. Tighten the cable glands around the cables.
5. Remove the connector covers from the external power/audio/digital I/O connector and the optional IR illuminator connector.



6. Connect the network cable to the Ethernet port (a) and the external power/audio/digital I/O cable to its connector (b). Secure the connections by turning them clockwise (c).



The Link LED will turn on once a network link has been established.

7. Check that the Connection Status LED indicator indicates the correct state. For more information, see *Connection Status LED Indicator* on page 73.

(Optional) Configuring microSD Card Storage

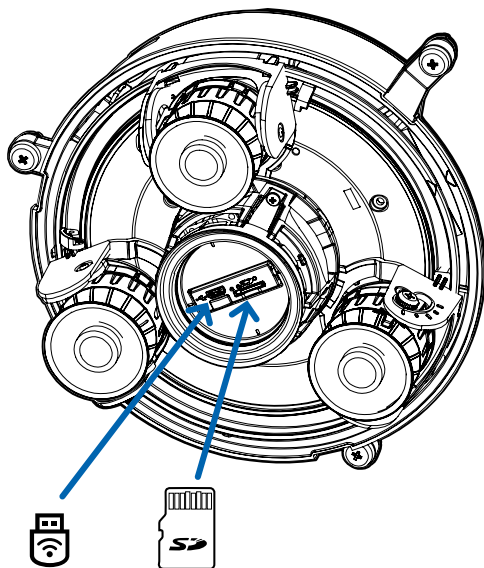
To use the camera's SD card storage feature, you must insert a microSD card into the card slot.

It is recommended that the microSD card have a write speed of class 10 or better. If the microSD card does not meet the recommended write speed, the recording performance may suffer and result in the loss of frames or footage.

1. Insert a microSD card into the camera.



CAUTION — Do not force the microSD card into the camera or you may damage the card and the camera.




2. Access the camera's web interface to enable the onboard storage feature. For more information, see the *Avigilon High Definition H.264 Camera Web Interface User Guide*.

Initializing a Camera Username and Password

Cameras manufactured after January 1, 2020, do not have a default username or password and will be in a factory default state.

Important: You must create a user with *administrator* privileges before the camera is operational.

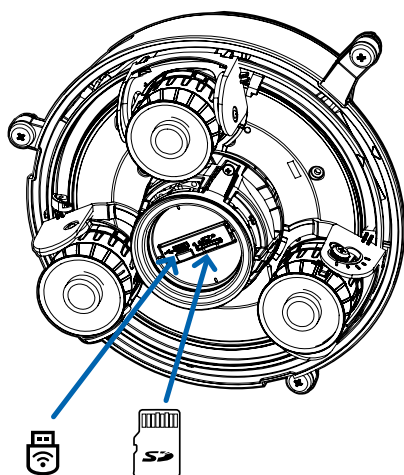
The first user can be created using any of the following methods:

- Camera's Web Interface: enter the camera's IP address in a web browser to access the web interface. If the camera is in the factory default state you will be redirected to the Add a new user page to create the first user. For more information, see the *Avigilon High Definition H4 and H5 IP Camera Web Interface User Guide*.
- Camera Configuration Tool version 1.4.4 or later: cameras discovered in the factory default state will be identified by . Select the **Admin Users** tab to create the first user. For more information, see the *Avigilon Camera Configuration Tool User Guide*.
- USB Wi-Fi Adapter: when connecting a camera in the factory default state, you will be redirected to the Create Administrator User page to create the first user. For more information, see *Avigilon USB Wi-Fi Adapter System User Guide*.
- Avigilon Control Center software version 7.4 or later, or version 6.14.12 or later: when connecting a camera in the factory default state, the client software will ask you to create a new user. For more information, see the *Avigilon Control Center Client User Guide*.
- Avigilon Cloud Services (ACS) v3.0 or later: when adding a camera you will be asked to create a new user for cameras in the factory default state. For more information, see the *Avigilon Cloud Services User Guide*.

Tip: If you are connecting your Avigilon camera to a 3rd party VMS, you will need to set up the first user through the camera's Web Interface, USB Wifi Adapter, or Camera Configuration Tool before you connect to the 3rd party VMS.

(Optional) Using the USB Wi-Fi Adapter

If you have a USB Wi-Fi Adapter (H4-AC-WIFI), attach it to the camera's micro USB port to access the camera's mobile web interface.



After you connect to the Wi-Fi signal broadcast by the adapter, you can access the mobile web interface from any mobile device using the following address:

`http://camera.lan`

For more information about configuring the camera from the mobile web interface see *Avigilon USB Wi-Fi Adapter System User Guide*.

Note: The camera will reserve the 10.11.22.32/28 subnet for internal use while the USB Wi-Fi Adapter is plugged in.

Assigning an IP Address

The device automatically obtains an IP address when it is connected to a network.

Note: If the device cannot obtain an IP address from a DHCP server, it will use Zero Configuration Networking (Zeroconf) to choose an IP address. When set using Zeroconf, the IP address is in the 169.254.0.0/16 subnet.

The IP address settings can be changed using one of the following methods:

- The mobile web interface using the USB Wifi Adapter. For more information, see *(Optional) Using the USB Wi-Fi Adapter* on the previous page.
- Device's web browser interface: `http://<camera IP address>/`.
- Network Video Management software application (for example, the AvigilonControl Center software).
- ARP/Ping method. For more information, see *Setting the IP Address Using the ARP/Ping Method* on page 76.

Note:

Depending on the manufacture date of your camera, you will have one of the two options below to log in for the first time:

- Cameras manufactured after January 1, 2020: these cameras do not have a default username or password and will be in a factory default state. **You must create a user with administrator privileges before the camera is operational.** For more information, see *Initializing a Camera Username and Password* on page 62.
- Cameras manufactured before January 1, 2020: login to the camera using the default username of `administrator` with no password. It is recommended that you change the password after your first login.

Note: You will be unable to connect an H4 Multisensor camera to ACC software version 6.12 or older if any of the H4 Multisensor heads have their **Format** set to **H.265** on the Compression and Image Rate page of the camera's web interface. To connect an H4 Multisensor camera to an ACC system, be sure to set the **Format** to **H.264** or to upgrade the ACC software to v6.12.2 or later.

Accessing the Live Video Stream

Live video stream can be viewed using one of the following methods:

- The mobile web interface using the USB Wifi Adapter. For more information, see *(Optional) Using the USB Wi-Fi Adapter* on page 62.
- Web browser interface: `http://< camera IP address >/`.
- Network Video Management software application (for example, the AvigilonControl Center software).

Note:

Depending on the manufacture date of your camera, you will have one of the two options below to log in for the first time:

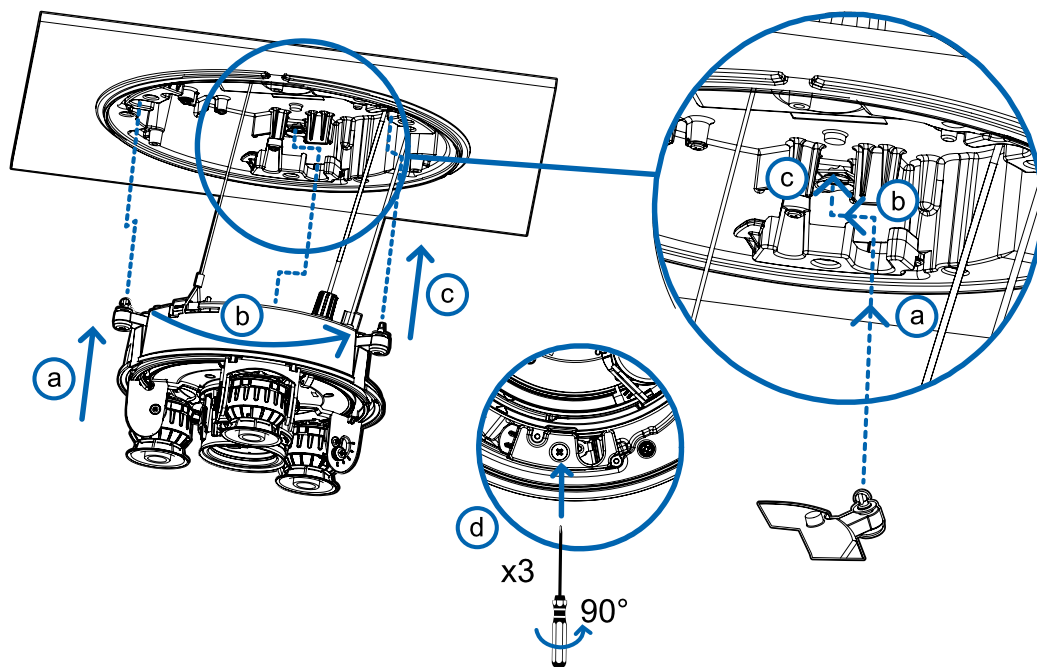
- Cameras manufactured after January 1, 2020: these cameras do not have a default username or password and will be in a factory default state. **You must create a user with administrator privileges before the camera is operational.** For more information, see *Initializing a Camera Username and Password* on page 62.
- Cameras manufactured before January 1, 2020: login to the camera using the default username of `administrator` with no password. It is recommended that you change the password after your first login.

Note: You will be unable to connect an H4 Multisensor camera to ACC software version 6.12 or older if any of the H4 Multisensor heads have their **Format** set to **H.265** on the Compression and Image Rate page of the camera's web interface. To connect an H4 Multisensor camera to an ACC system, be sure to set the **Format** to **H.264** or to upgrade the ACC software to v6.12.2 or later.

Installing the H4 Multisensor Camera Base to an In-Ceiling Mount

After the cable connections have been made, mount the H4 Multisensor camera base into the in-ceiling mount adapter.

1. (Recommended) Attach a safety lanyard from the in-ceiling mount adapter to the lanyard anchor on the camera base to prevent the camera from falling. See *Connecting Cables* on page 59.
2. Push the camera module into the in-ceiling mounting adapter so that the 3 setscrews pass through the 3 slots (a). In one smooth motion, push the camera module up through the 3 slots (a), twist clockwise (b), and push up again so the 3 setscrews are positioned at the 3 screw holes (c).

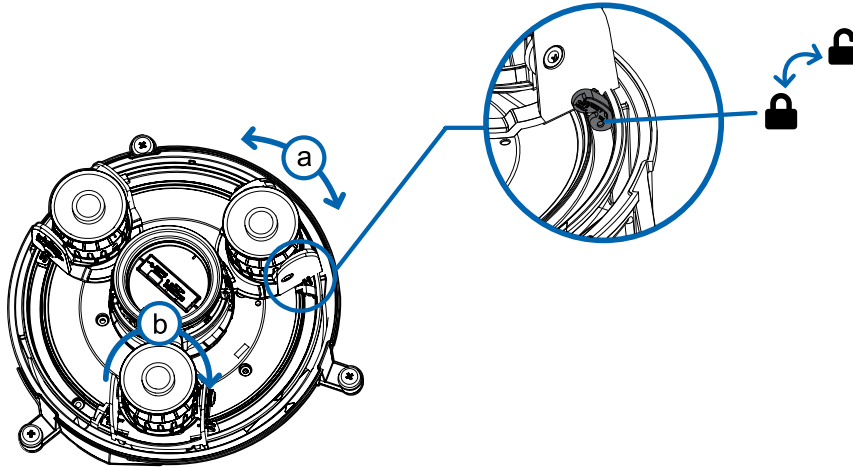


3. Use a screwdriver to turn the 3 setscrews clockwise by 90° and secure the camera into the in-ceiling mount adapter (d).

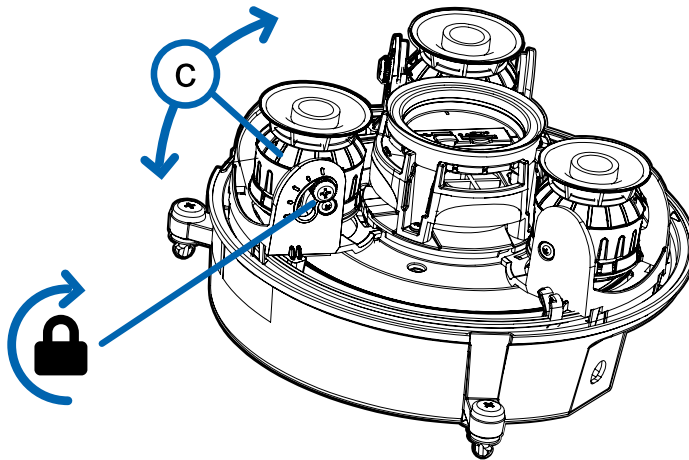
Aiming the H4 Multisensor Camera

Reference the camera's live stream as you aim the camera.

1. To aim the camera, adjust each of the available camera heads as required:
 - a. Unlock the rail release tab to move the camera head from side to side. Lock the rail release tab when the camera head is in the desired position.
 - b. Rotate the azimuth control ring to set the image in the correct rotation.



- c. Loosen the tilt lock screws to tilt each camera head up and down. Tighten the tilt lock screws when the camera is tilted in the correct angle.



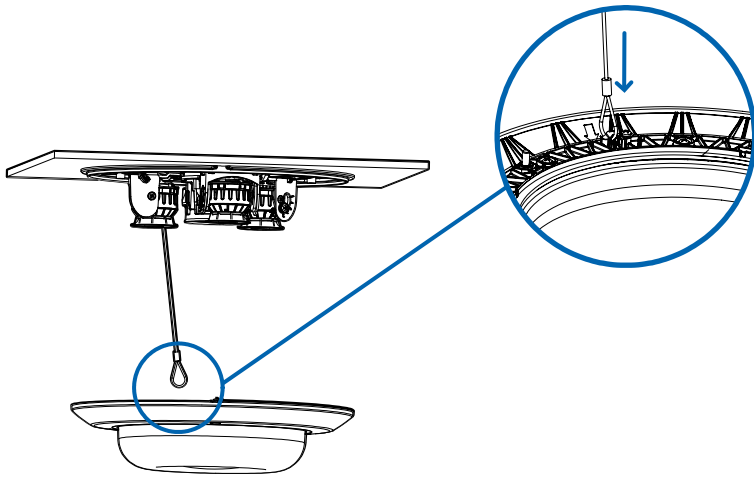
2. In the camera web browser interface, adjust the camera's Image and Display settings to achieve the desired image parameters and position.

Installing the In-Ceiling Mount Dome Cover

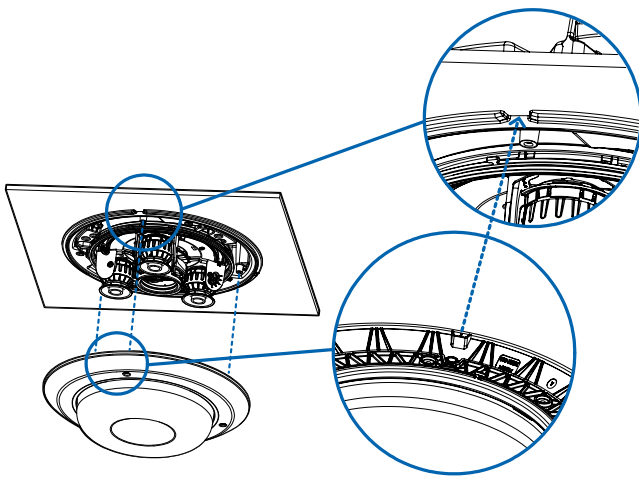
Note: Be careful not to scratch or touch the dome bubble. The resulting marks or fingerprints may affect the overall image quality. Keep the protective covers on the outside of the dome bubble until

the installation is complete.

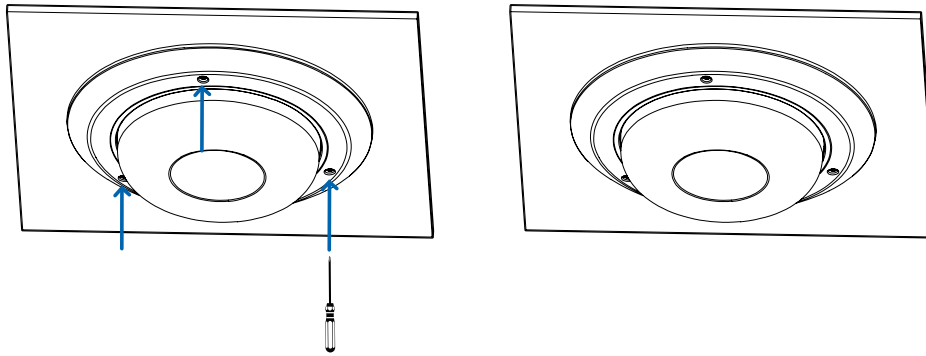
1. (Recommended) Attach a safety lanyard from the in-ceiling mount adapter to the lanyard anchor on the dome cover to prevent the cover from falling.



2. Align the notches on the dome cover with the release tab on the in-ceiling mount adapter. The dome cover should be flush against the mounting surface.



3. Tighten the setscrews to secure the dome cover in place.



For More Information

Additional information about setting up and using the device is available in the following guides:

- *Avigilon Control Center Client User Guide*
- *Web Interface User Guide — Avigilon High Definition H4 and H5 IP Cameras*
- *Avigilon USB Wi-Fi Adapter System User Guide*
- *Avigilon Camera Configuration Tool User Guide*
- *Designing a Site with Avigilon Video Analytics*

These guides are available on help.avigilon.com and on the Avigilon website: avigilon.com/support.

Cable Connections

Connecting to Power, Audio, and External Devices

If PoE is not available, the camera may be powered through the auxiliary power cable using either 24 V DC or 24 V AC. The power consumption information is listed in the product specifications.

To power the camera, connect the two power wires to the brown and blue auxiliary power wires. The connection can be made with either polarity.

WARNING — This product is intended to be supplied by a UL Listed Power Unit marked “Class 2” or “LPS” or “Limited Power Source” with output rated:

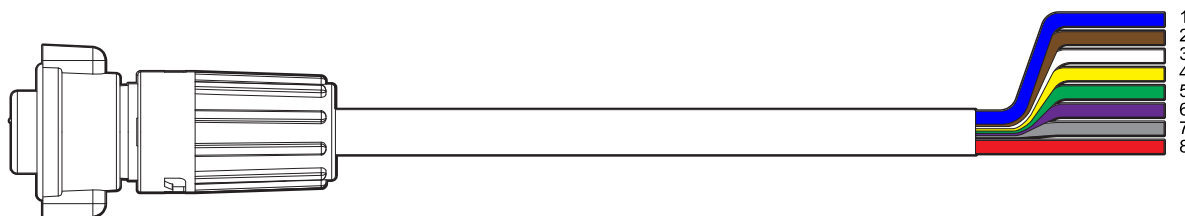


- With IR LEDs: 24 V AC \pm 10%, 74 VA minimum, or 24 V DC \pm 10%, 52 W minimum.
- Without IR LEDs: 24 V AC \pm 10%, 37 VA minimum, or 24 V DC \pm 10%, 26 W minimum.

For more information on using PoE to power the camera, see *Connecting Cables* on page 24.

Pigtail Connector and Wires

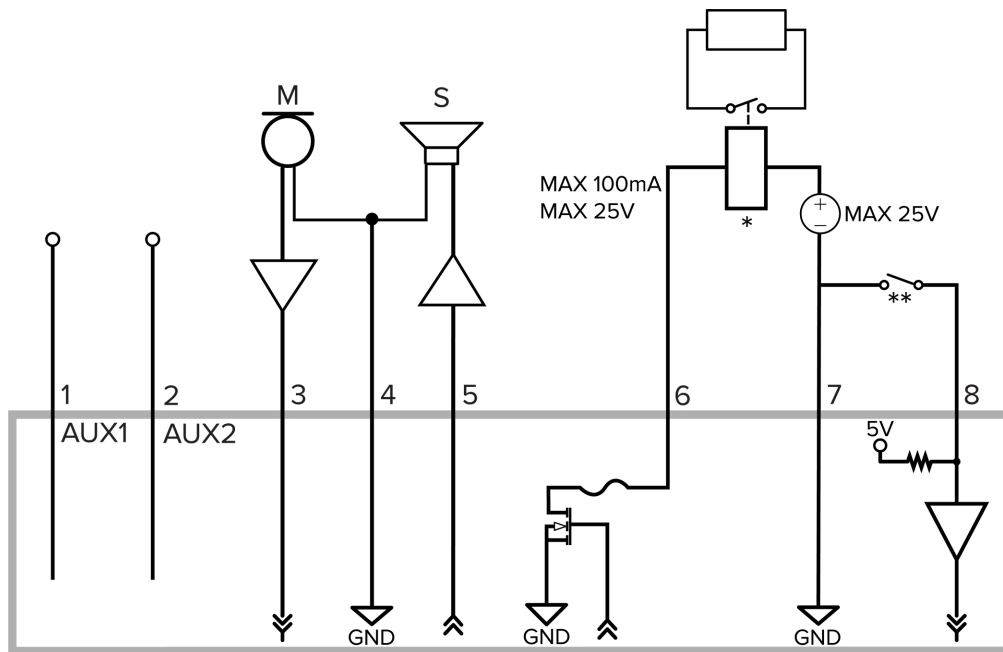
Power supplies, audio devices, and external devices are connected to the camera through the power, audio, and I/O pigtail. The following diagram and table shows the I/O, audio, and power pigtail connector and wires:



Wire	Color	Description
1	Blue	AUX1 Power, accepts either polarity
2	Brown	AUX2 Power, accepts either polarity
3	White	Audio IN
4	Yellow	Audio GND
5	Green	Audio OUT
6	Purple	Relay OUT
7	Gray	Relay GND
8	Red	Relay IN

Wiring Audio, I/O, and AUX Power

The connections for the I/O, audio, and power wires is shown in the following diagram:



1. Brown — AUX1 Auxiliary Power wire, accepts either polarity
2. Blue — AUX2 Auxiliary Power wire, accepts either polarity
3. White — Audio Input (line level)

An external power amplifier should be used when connecting speakers and microphones, as shown in the diagram.

4. Yellow — Audio Ground return
5. Green — Audio Output (line level)
6. Purple — Relay Output: When active, Output is internally connected with the Ground. Circuit is open when inactive. Maximum load is 25 V DC, 100 mA.
7. Gray — Relay Ground return
8. Red — Relay Input: To activate, connect the Input to the Ground wire. To deactivate, leave it disconnected or apply between 3-15 V.

- * — Relay
- ** — Switch
- M — Microphone
- S — Speaker
- AUX1 — Brown Auxiliary Power wire
- AUX2 — Blue Auxiliary Power wire

Focusing the H4 Multisensor Camera

Ensure this procedure is performed after the dome cover is installed so you can accommodate for the focus shift caused by the dome bubble.

Note: Ensure you adjust the focus for each of the camera heads included with your H4 Multisensor camera.

In the camera web browser interface or the Avigilon Control Center software, use the camera's Image and Display settings to focus the camera.

1. Click **Auto Focus** to focus the lens.
2. Use the focus near and far buttons to manually adjust the focus.

Connection Status LED Indicator

Once connected to the network, the green Connection Status LED indicator will display the progress in connecting to the Network Video Management software.

The following table describes what the LED indicator shows:

Connection State	Connection Status LED Indicator	Description
Obtaining IP Address	One short flash every second	Attempting to obtain an IP address.
Discoverable	Two short flashes every second	Obtained an IP address but not connected to the Network Video Management software.
Upgrading Firmware	Two short flashes and one long flash every second	Updating the firmware.
Connected	On	Connected to the Network Video Management software or an ACC™ Server. The default connected setting can be changed to Off using the camera's web user interface. For more information see the <i>Avigilon High Definition H4 and H5 IP Camera Web Interface User Guide</i> .

Troubleshooting Network Connections and LED Behavior

Note: For any of the below LED behaviors, ensure that the camera is getting power and is using a good network cable before trying another solution.

LED Behavior	Suggested Solution
<ul style="list-style-type: none">Green LED is off and amber is on	Perform a factory reset of the camera using the physical firmware revert button. Resetting through the camera's web interface will not produce the desired result.
<ul style="list-style-type: none">Both LEDs are off and the camera is not connected or streaming video	Check the General setup page in the camera's web interface to ensure the LEDs are not disabled. If the LEDs are not disabled, perform a factory reset of the camera using the physical firmware revert button. Resetting through the camera's web interface will not produce the desired result.

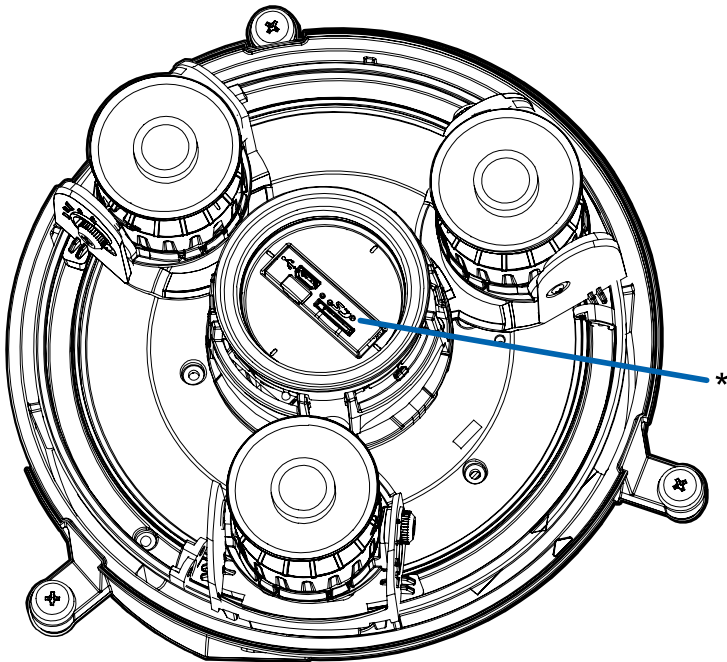
LED Behavior	Suggested Solution
<ul style="list-style-type: none">• Both LEDs are blinking several times at the same time, then pause and repeat the blinking	Perform a factory reset of the camera using the physical firmware revert button. Resetting through the camera's web interface will not produce the desired result.
<ul style="list-style-type: none">• A different LED blinking pattern than those described above	Perform a factory reset of the camera using the physical firmware revert button. Resetting through the camera's web interface will not produce the desired result.

Resetting to Factory Default Settings

If the device no longer functions as expected, you can choose to reset the device to its factory default settings.

Use the firmware revert button to reset the device. The firmware revert button is shown in the following diagram:

Note: Be careful not to scratch the dome bubble.



1. Ensure the camera is powered on.
2. Remove the dome cover.
3. Using a straightened paperclip or similar tool, gently press and hold the firmware revert button (*) for two seconds.
4. Re-install the dome cover.



CAUTION — Do not apply excessive force. Inserting the tool too far may damage the camera.

Setting the IP Address Using the ARP/Ping Method

Complete the following steps to configure the camera to use a specific IP address:

Note: The ARP/Ping Method will not work if the **Disable setting static IP address through ARP/Ping method** checkbox is selected in the camera's web browser interface. For more information, see the *Avigilon High Definition H4 and H5 IP Camera Web Interface User Guide*.

1. Locate and make note of the MAC Address (MAC) listed on the Serial Number Tag for reference.
2. Open a Command Prompt window and enter the following commands:

- a. `arp -s <New Camera IP Address> <Camera MAC Address>`

For example: `arp -s 192.168.1.10 00-18-85-12-45-78`

- b. `ping -l 123 -t <New Camera IP Address>`

For example: `ping -l 123 -t 192.168.1.10`

3. Reboot the camera.
4. Close the Command Prompt window when you see the following message:

Reply from <New Camera IP Address>: ...

Cleaning

Dome Bubble

If the video image becomes blurry or smudged in areas, it may be because the dome bubble requires cleaning.

To clean the dome bubble:

- Use hand soap or a non-abrasive detergent to wash off dirt or fingerprints.
- Use a microfiber cloth or non-abrasive fabric to dry the dome bubble.

Important: Failure to use the recommended cleaning materials may result in a damaged or scratched dome bubble. A damaged dome bubble may negatively impact image quality and cause unwanted IR light reflecting into the lens.

Body

- Use a dry or lightly dampened cloth to clean the camera body.
- Do not use strong or abrasive detergents.

Limited Warranty and Technical Support

Avigilon warranty terms for this product are provided at [avigilon.com/warranty](https://www.avigilon.com/warranty).

Warranty service and technical support can be obtained by contacting Avigilon Technical Support: [avigilon.com/contact](https://www.avigilon.com/contact).