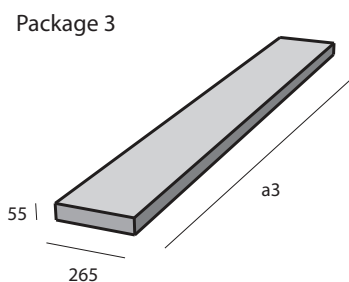
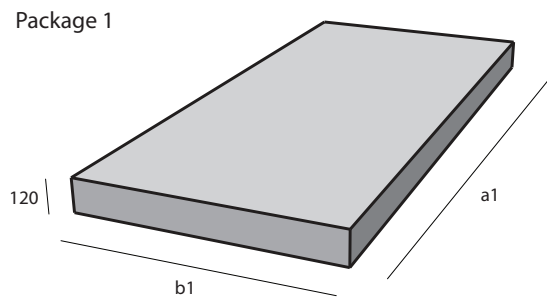


Solarix LC-50 network/server cabinet

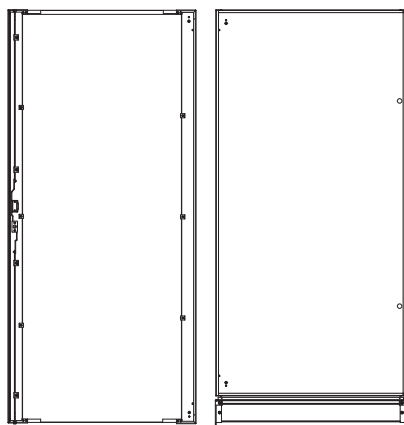


assembly manual
for cabinets 600, 800 and 1 000 mm deep

Packaging method, the contents of packaging



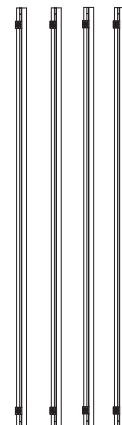
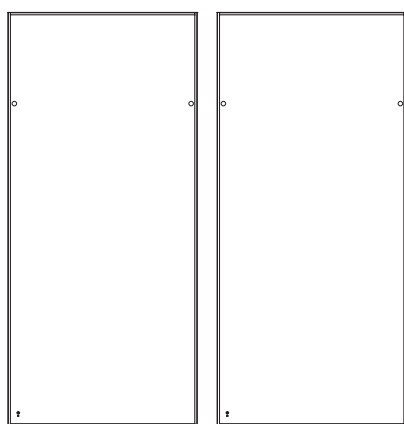
F x1
Front door
(the type of door depends on the specific configuration of the cabinet)



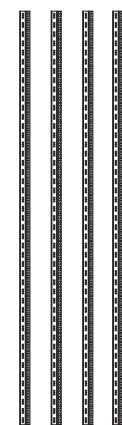
G x1
Rear door
(the type of door depends on the specific configuration of the cabinet)

H x1
3U module panel with brush strip (occurs depending on the type of the door)

I x2
Side panel



J x4
Frame's post



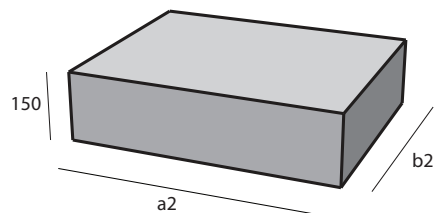
K x4
Mounting profile

Cabinet's dimension [mm]	Package's dimension [mm]
height	a1, a3
2186 (47U)	2130
2096 (45U)	2040
1963 (42U)	1905
1563 (33U)	1505
1163 (24U)	1105
896 (18U)	850

Cabinet's dimensions [mm]		Package's dimension [mm]
width	depth	b1
800	1000	930
	800	730
	600	730
600	1000	930
	800	730
	600	530

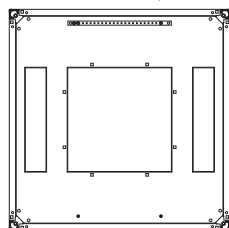
Packaging method, the contents of packaging

Package 2

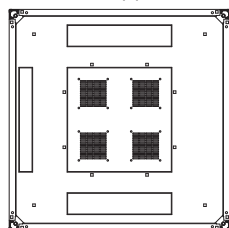


Cabinet's dimensions [mm]		Packege's dimensions [mm]	
width	depth	a2	b2
800	1000	805	1005
	800	805	805
	600	805	605
600	1000	605	1005
	800	605	805
	600	605	605

A x1
Frame's bottom plate



B x1
Frame's top plate



D x4 (D=600/800)
x6 (D=1000)
C-profile



E x8 (D=600/800, W=800)
x12 (D=1000, W=800)
Outrigger



- 6 x8 (D=600/800, W=600)
x32 (D=600/800, W=800)
x12 (D=1000, W=600)
x48 (D=1000, W=800)
Screw M6x12 with flange
Tool: socket wrench SW10

- 16 xN*
Circlip

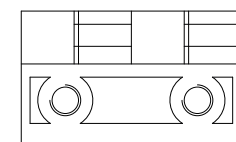
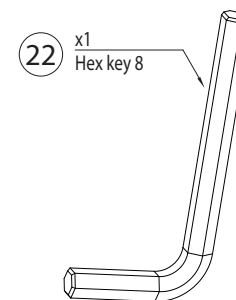
- 7 xN*
Washer ø6.4

- 30 xN*
Lock

- 8 x16 (D=600/800, W=600)
x24 (D=600/800, W=800)
x24 (D=1000, W=600)
x36 (D=1000, W=800)
Nut M6 with flange
Tool: wocket wrench SW10

- 20 xN*
Lock's nut

- 13 xN*
Pin



- 14 xN*
Insert

- 27 28 x4
Adjustable feet M12x40
Counter nut M12
Tool: wrench 19

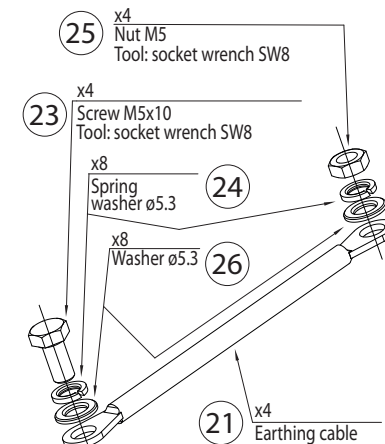
- 15 xN*
Pivot

- 35 xN*
Blanking cap 13/8.5

- 32 xN*
Hinge

- 34 xN*
Mounting rivet

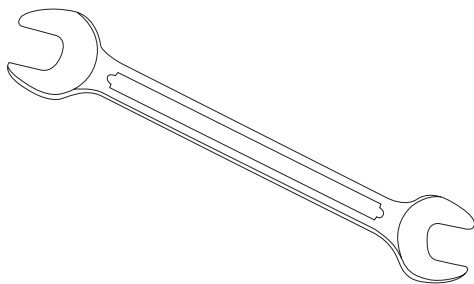
- 33 xN*
Screw M6x16



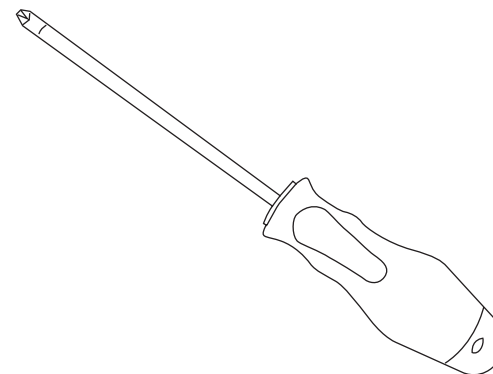
- 31 x4
Key 1333

* xN - the amount depends on the cabinet's configuration

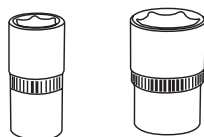
List of necessary tools



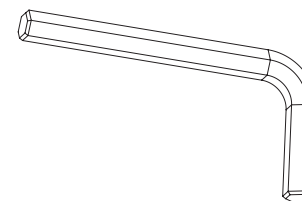
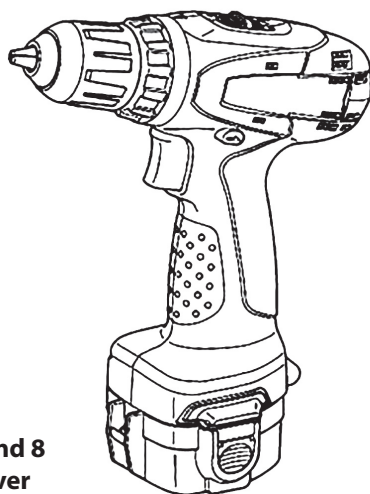
Wrench 19 and 27



Screwdriver PH3

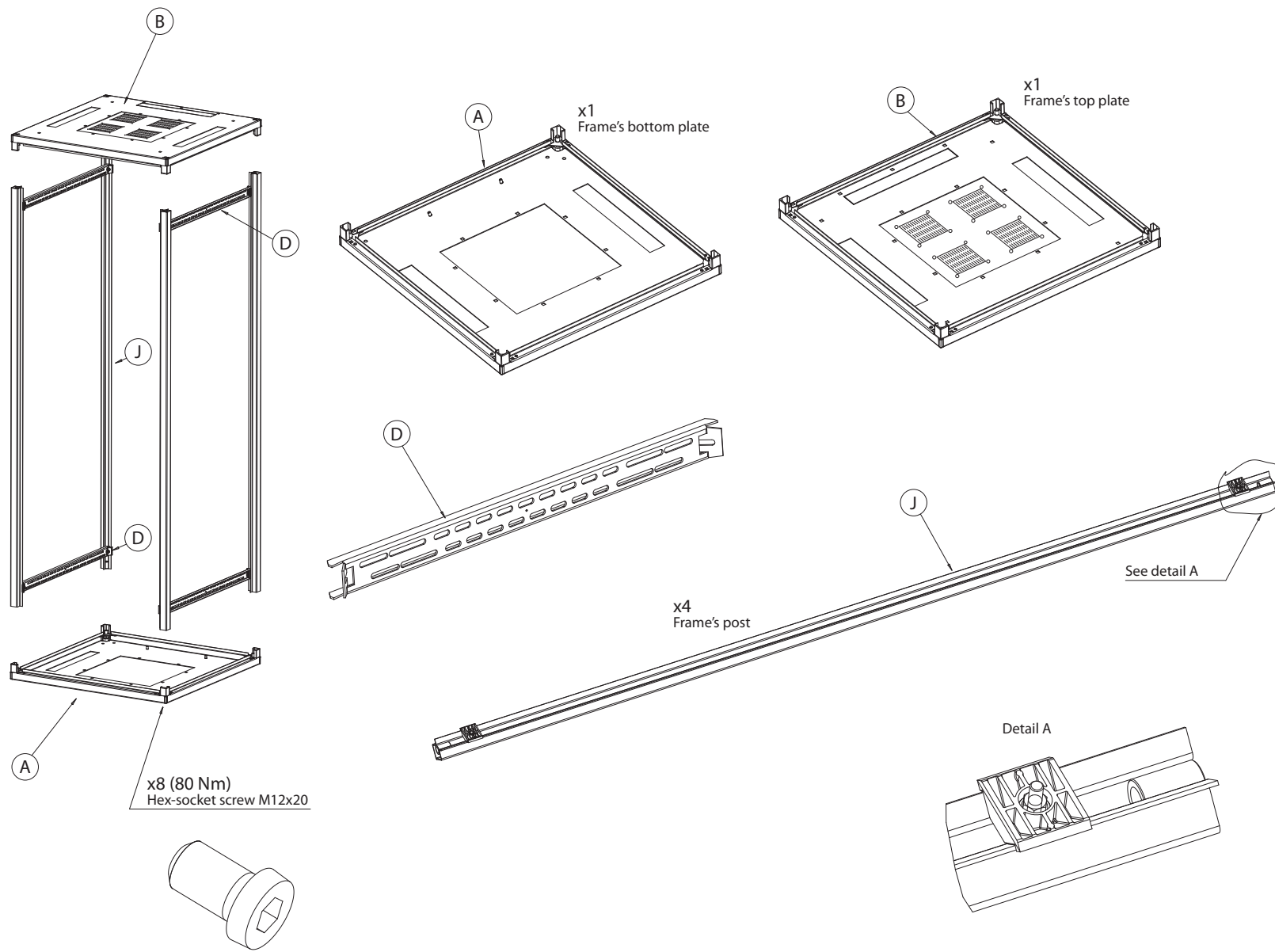


**Socket wrench SW10 and 8
and electric screwdriver**



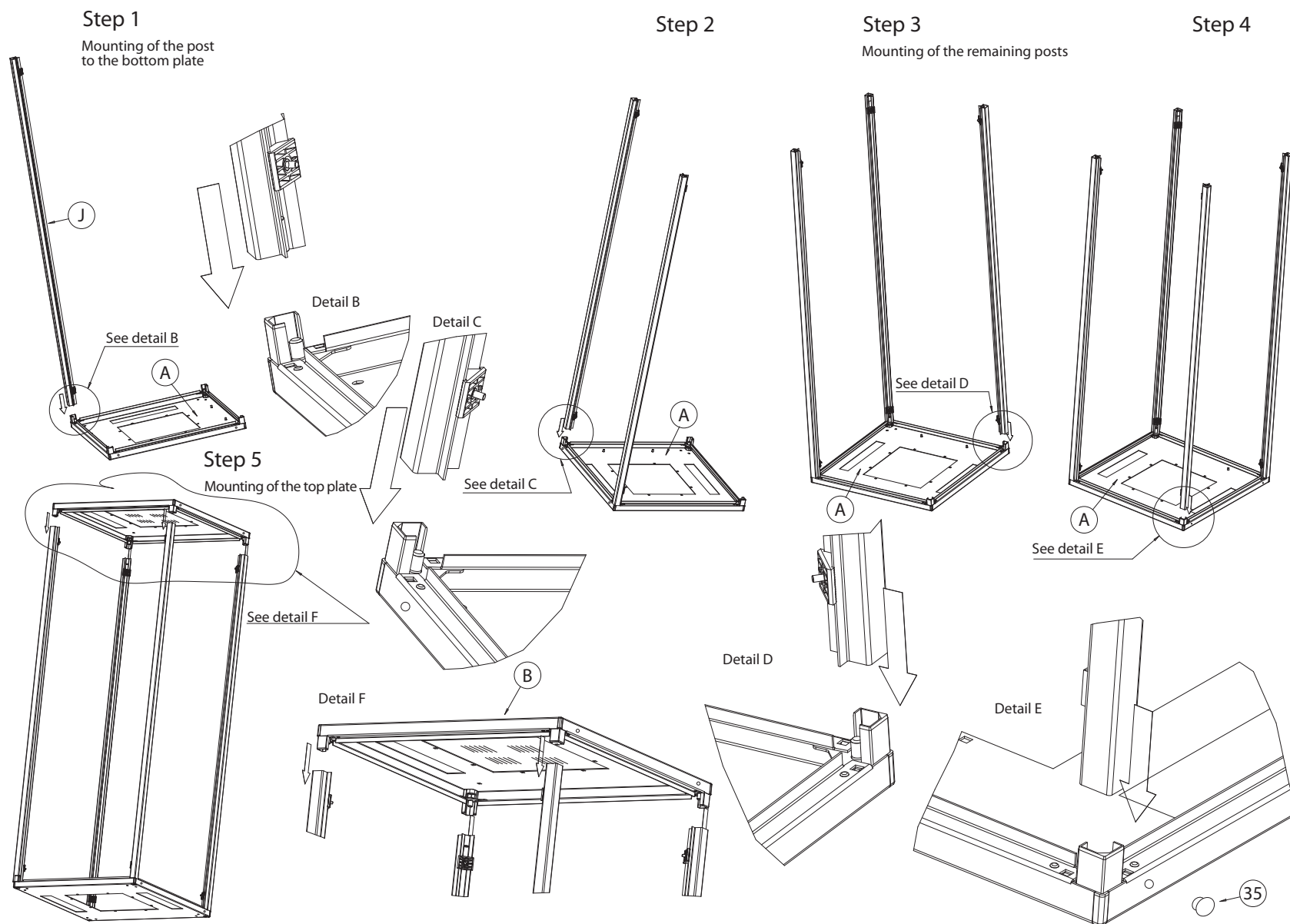
Hex key 8
(supplied with the cabinet
- item no. 22)

Frame's assembly - list of elements



Pre-installed screws in the bottom (A) and the top (B) plate corners

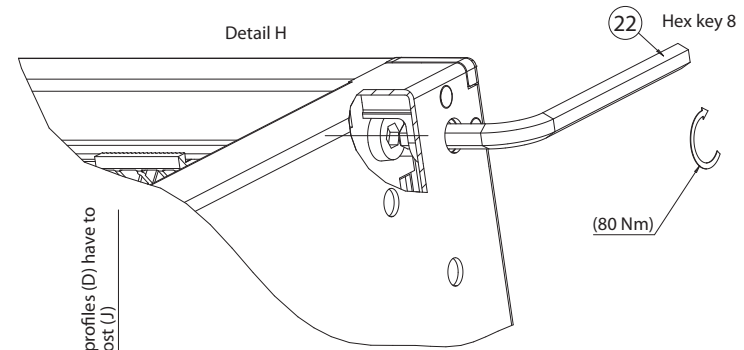
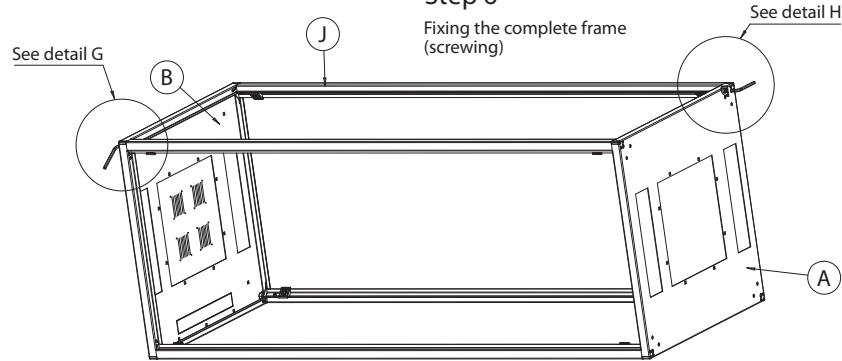
Frame's assembly - mounting posts to the bottom and the top plate



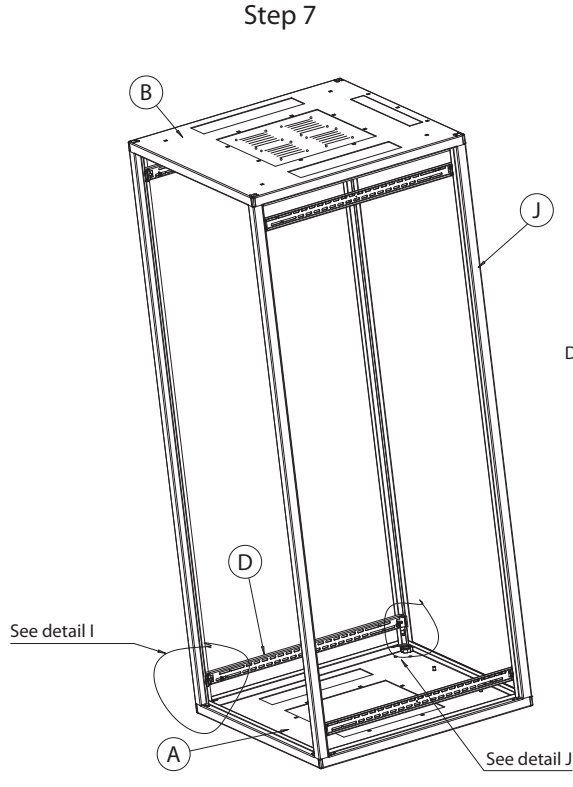
Frame's assembly - screwing the frame, fixing of the C-profiles - 600 or 800 mm deep cabinets

Step 6

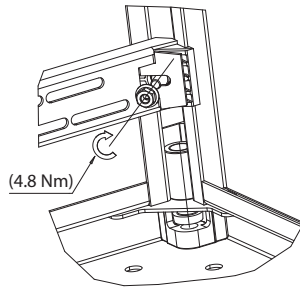
Fixing the complete frame (screwing)



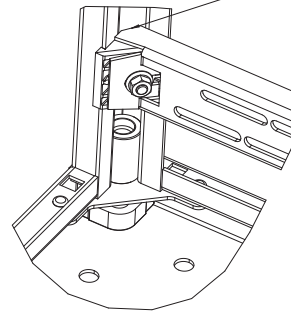
Step 7



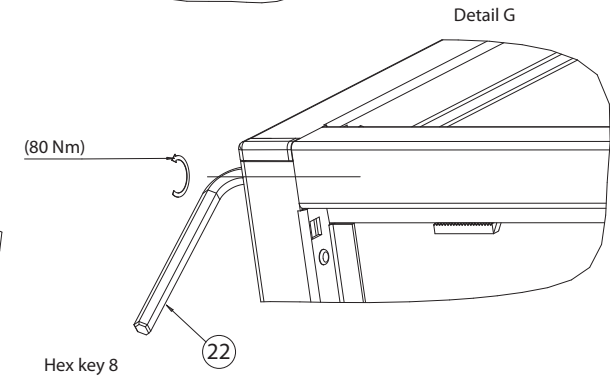
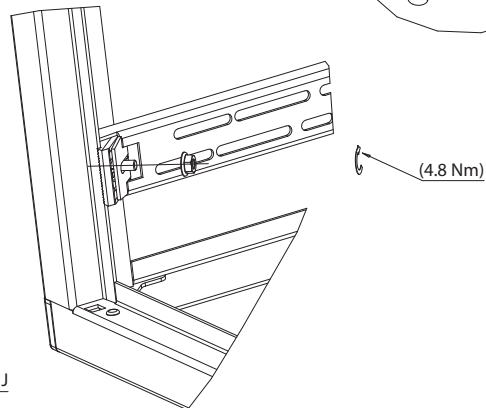
Detail J



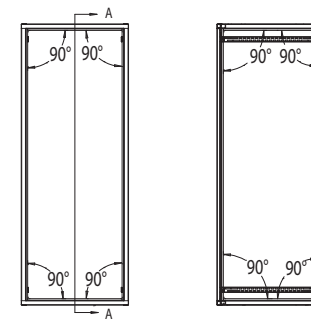
Note:
The edges of C-profiles (D) have to touch frame's post (J)



Detail I

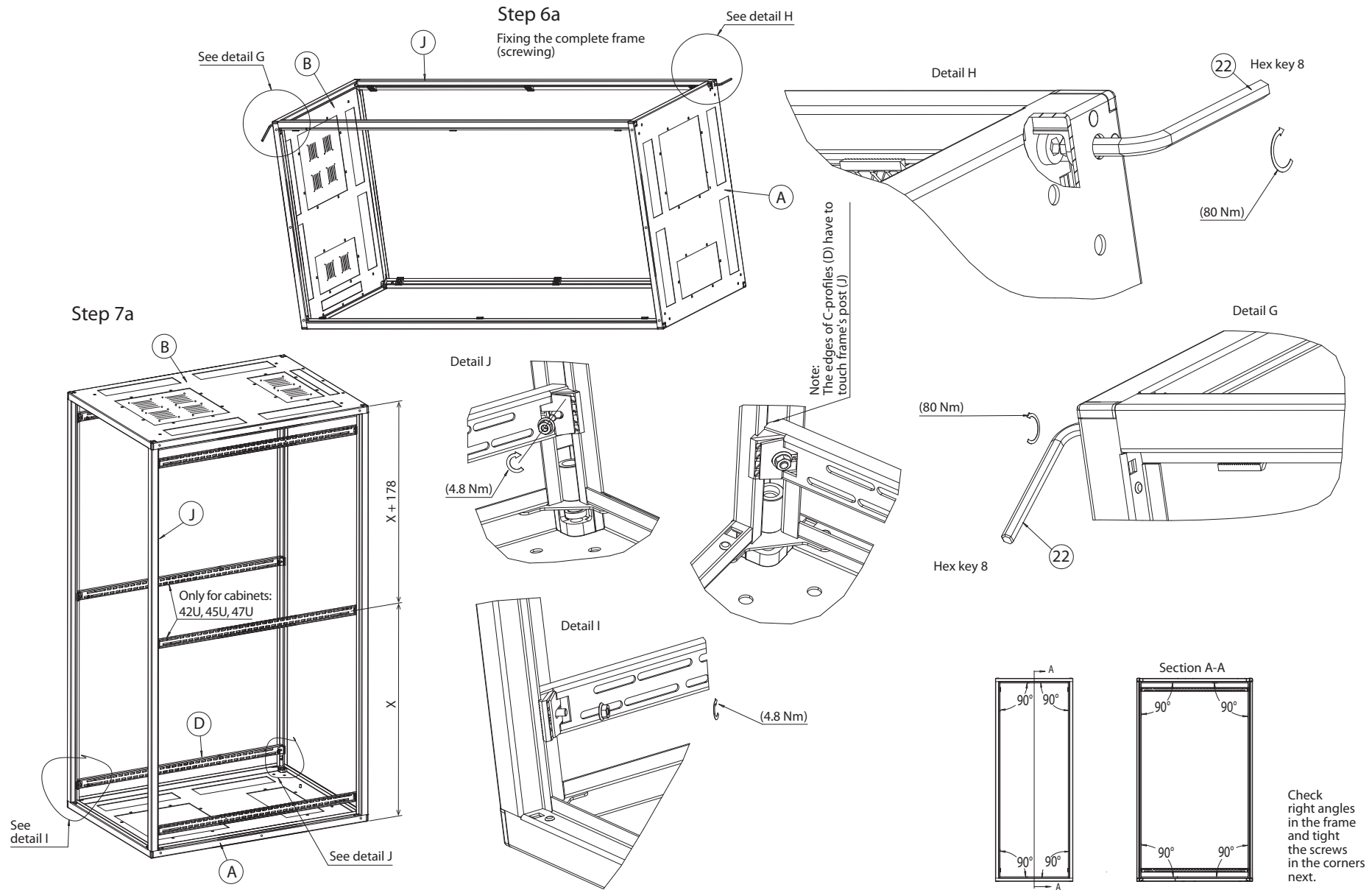


Section A-A



Check right angles in the frame and tight the screws in the corners next.

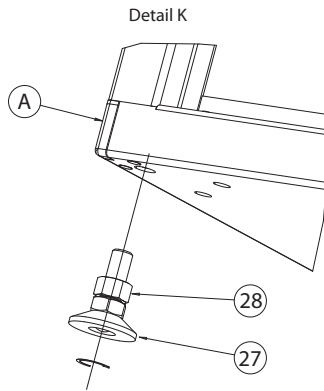
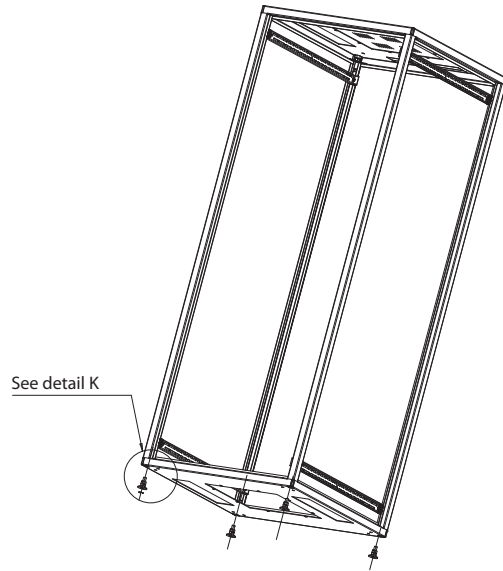
Frame's assembly - screwing the frame, fixing of the C-profiles - 1000 mm deep cabinets



Fixing of the levelling feet and the mounting profiles

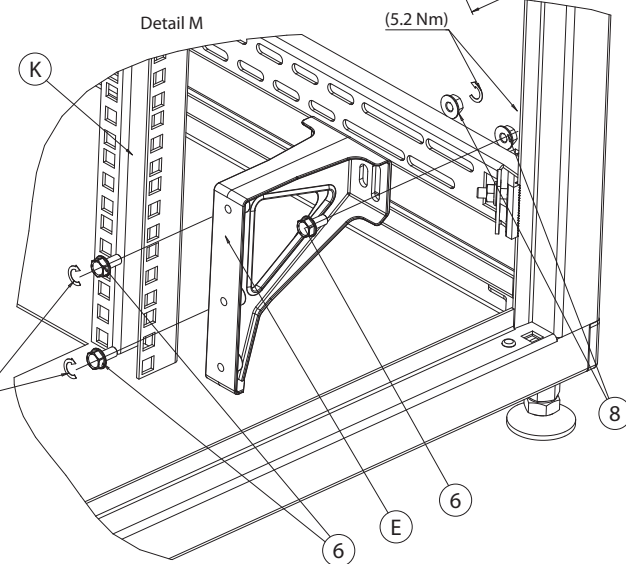
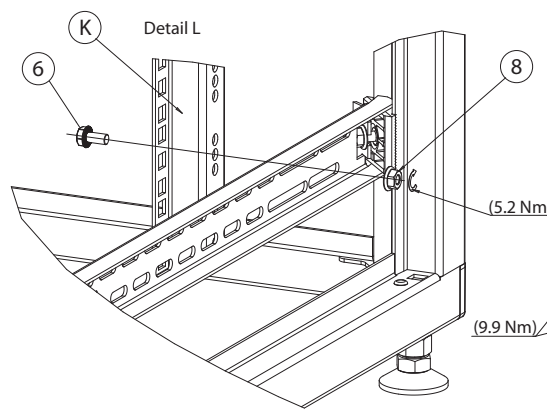
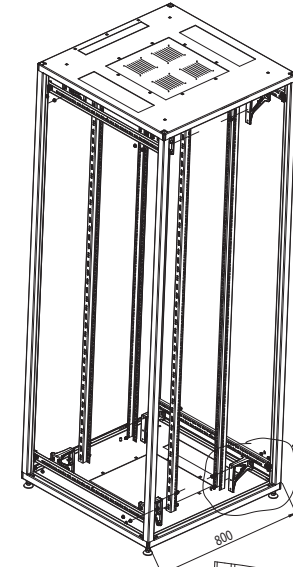
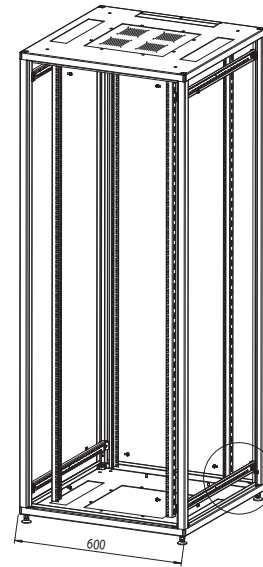
Step 8

Fixing of the levelling feet



Step 9

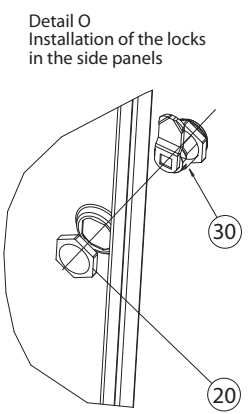
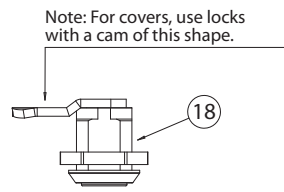
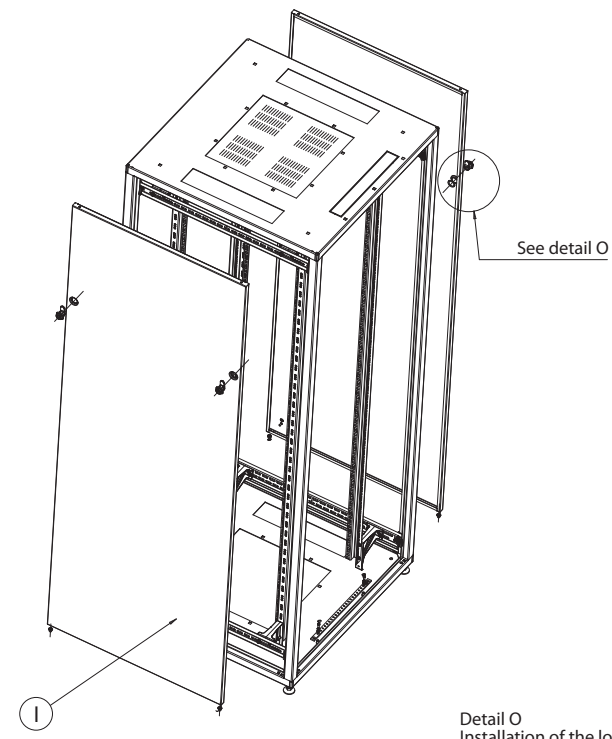
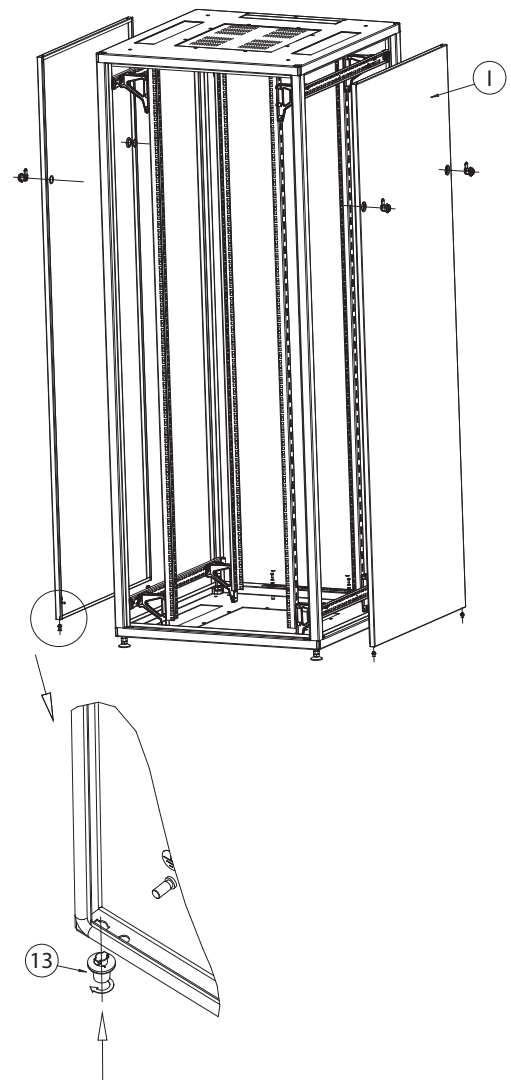
Fixing of the mounting profiles in 600 mm or 800 mm wide cabinets



Note:
For levelling manual, see page 14.

Fixing of the side panels

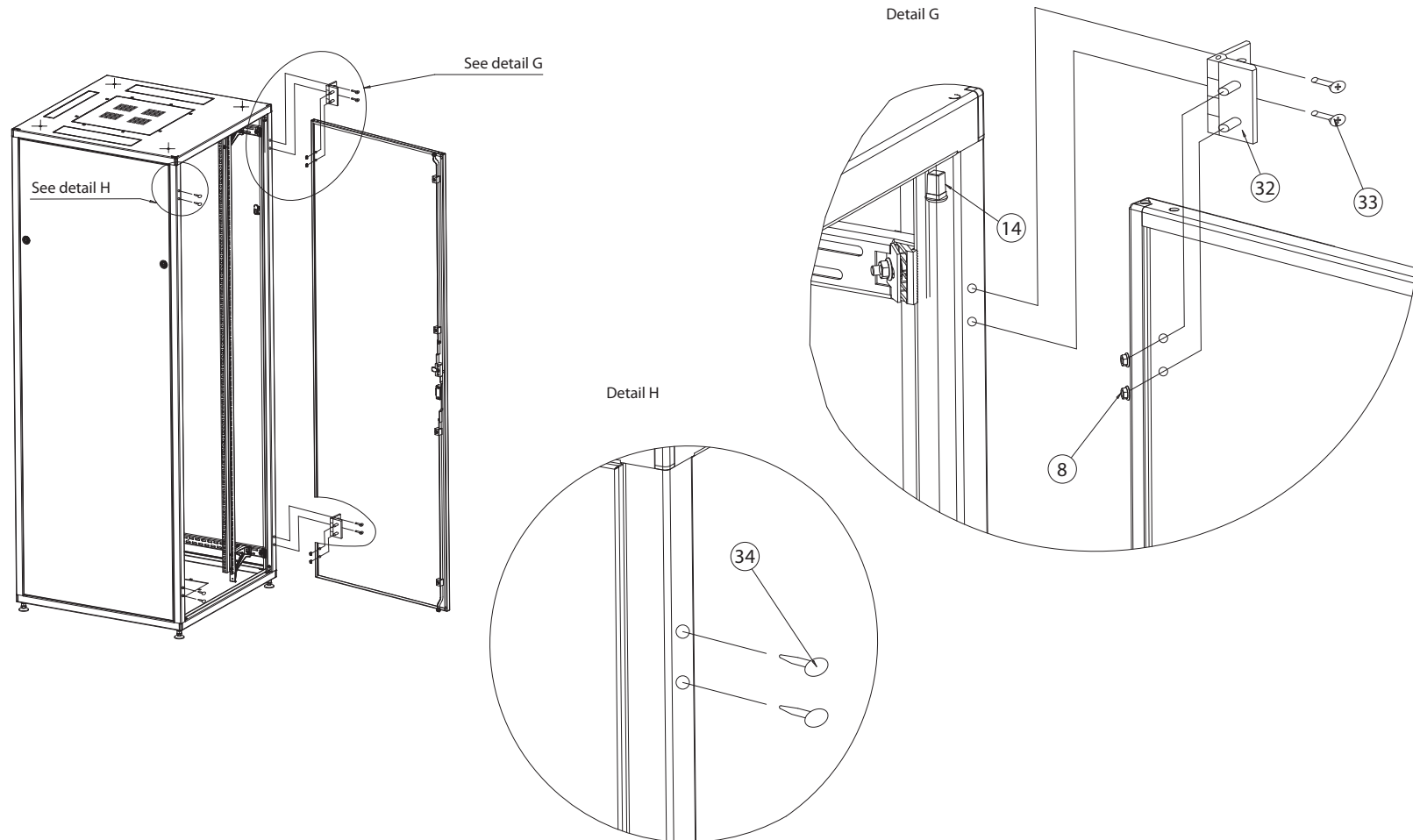
Step 10 Fixing of the side panels



Fixing of the door

Step 11

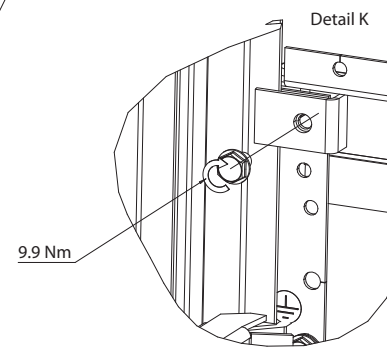
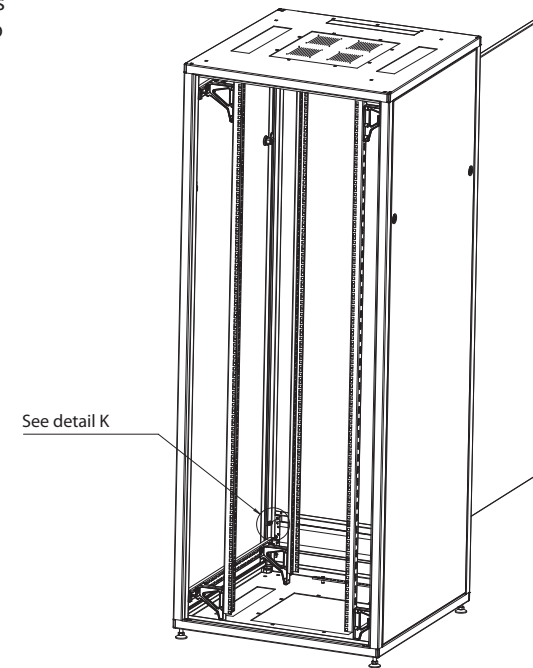
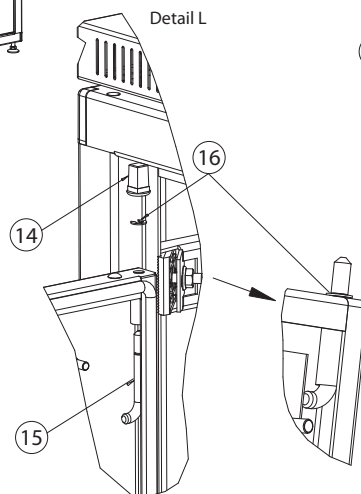
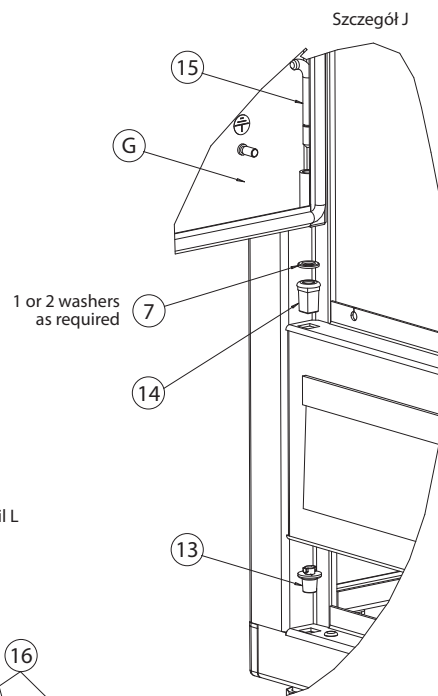
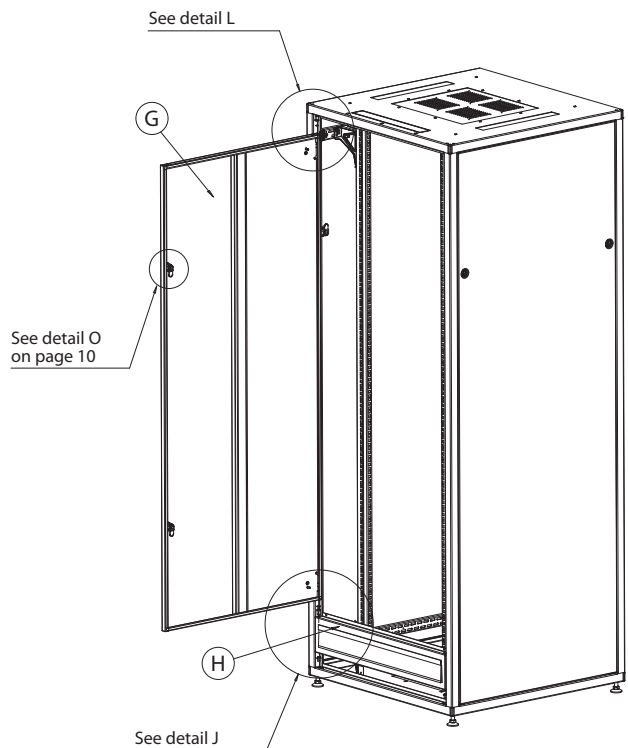
Fixing of the door with 180° hinges



Fixing of the door

Step 12

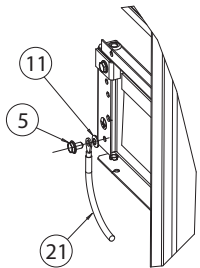
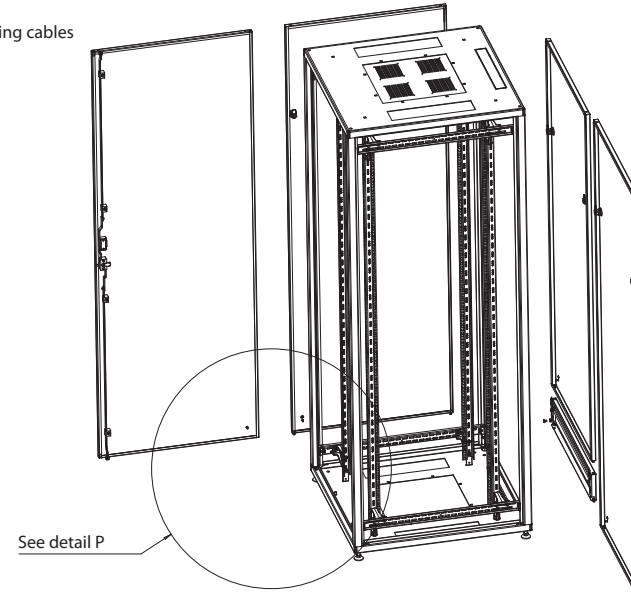
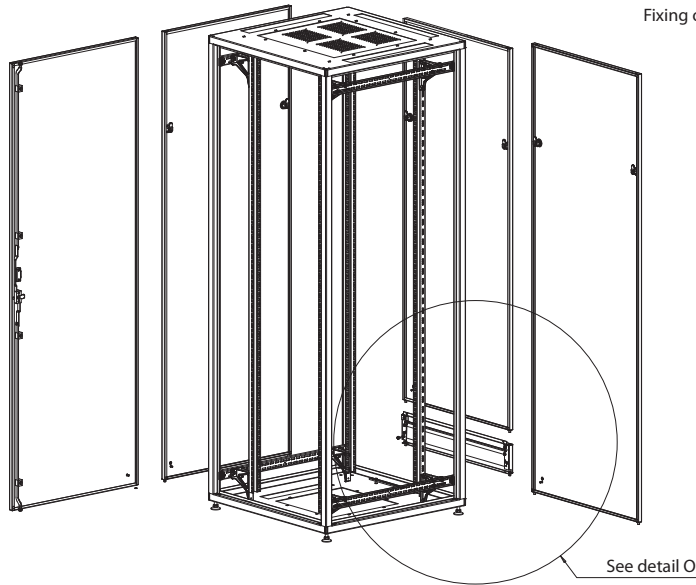
Fixing of the shortened door with 110° hinges and the 3U module panel with the brush strip



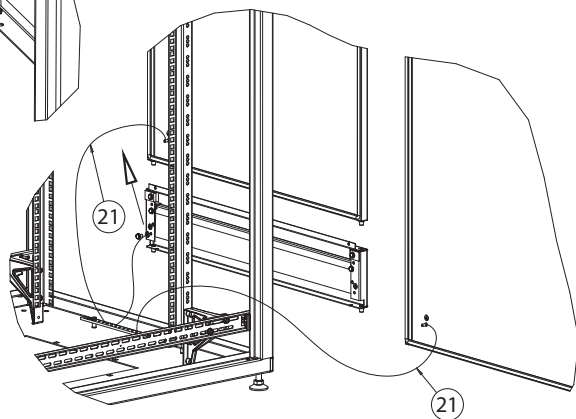
The doors and the side panels earthing

Step 13

Fixing of the earthing cables

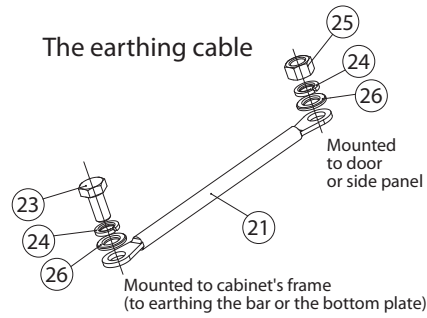


Detail O

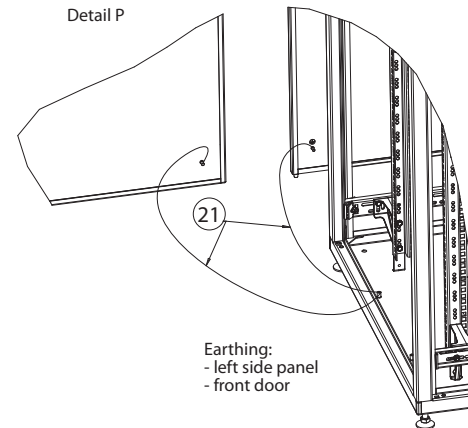


Earthing:
- rear door
- right side panel
- 3U module panel

The earthing cable

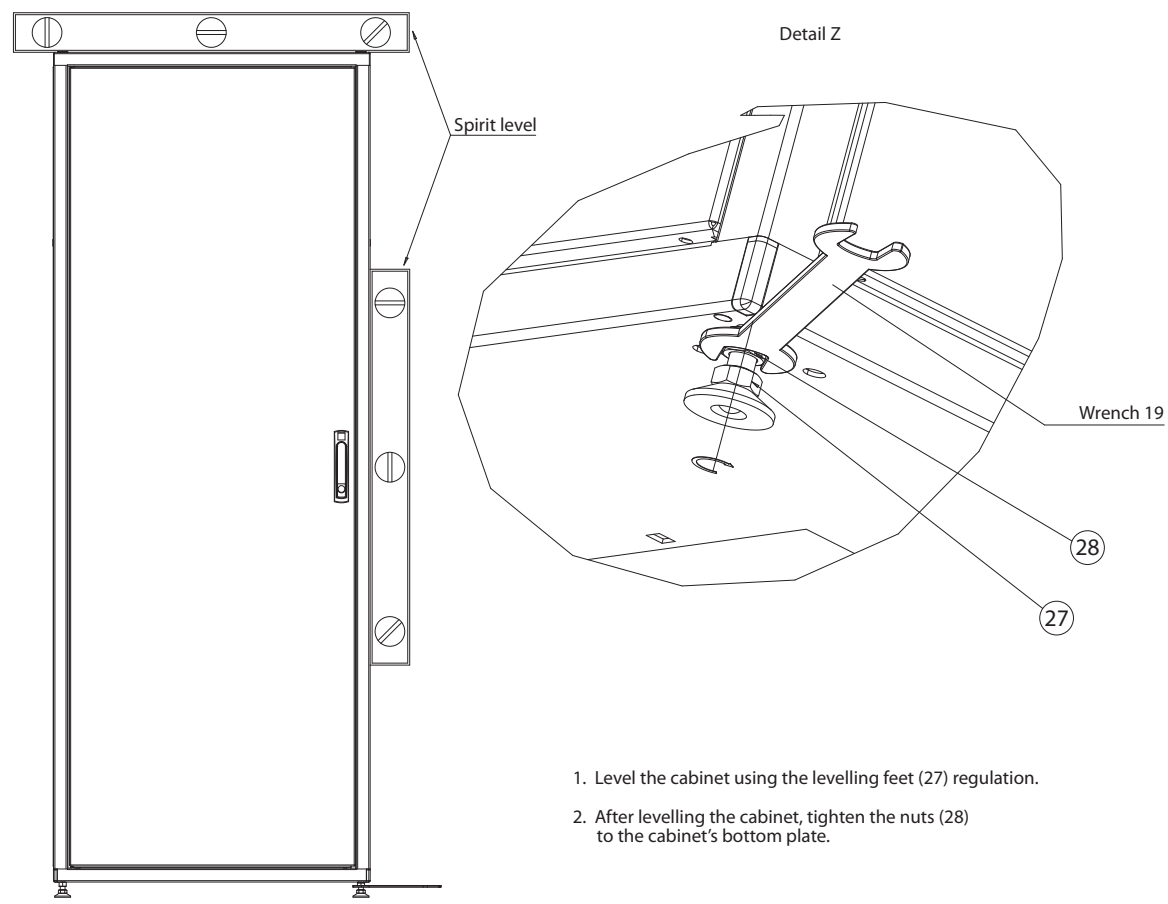
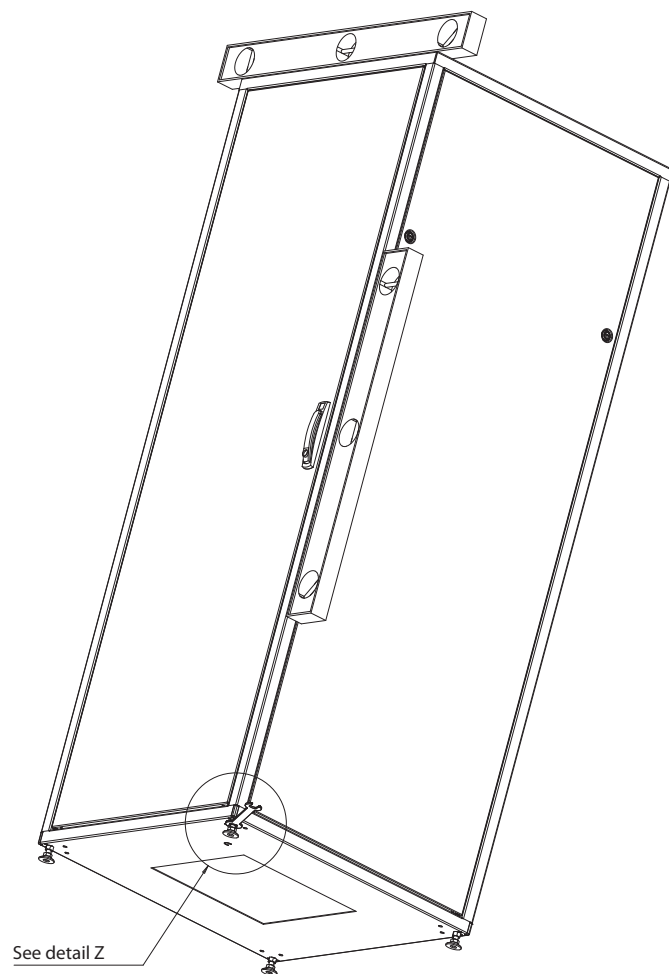


Detail P



Earthing:
- left side panel
- front door

Levelling the cabinet



1. Level the cabinet using the levelling feet (27) regulation.
2. After levelling the cabinet, tighten the nuts (28) to the cabinet's bottom plate.