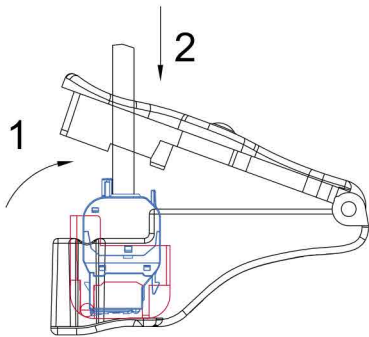


HT90X8 Cable Crimp Tool for TB90

Specification:

BASE: PBT+15%GF UL 94V-0
 COVER: PBT+15%GF UL 94V-0
 HOLDER: ABS+PC UL 94V-0
 PIN: FE NI PLATING
 SPRING: SUS304



HT90X8

