

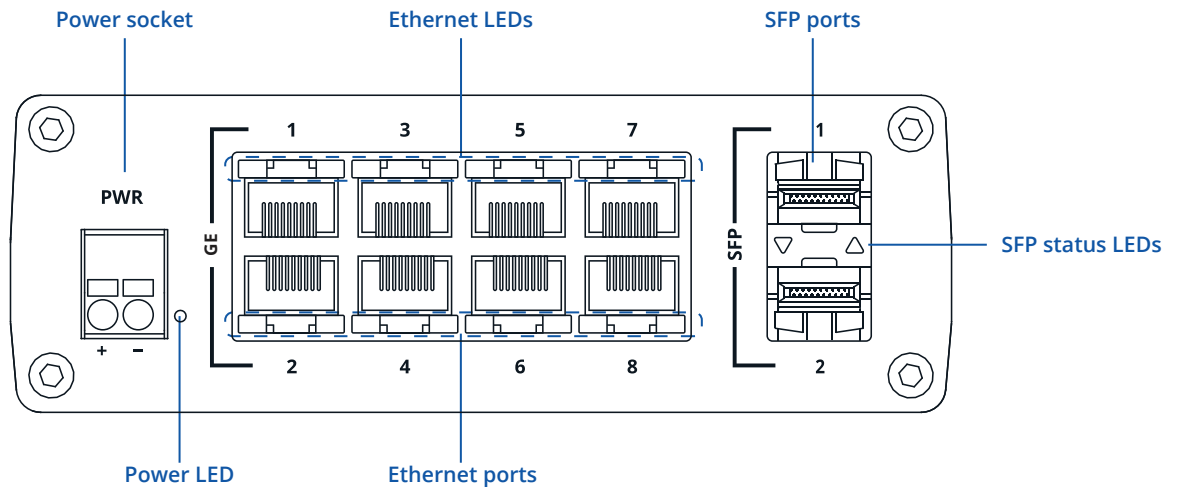


TSW210

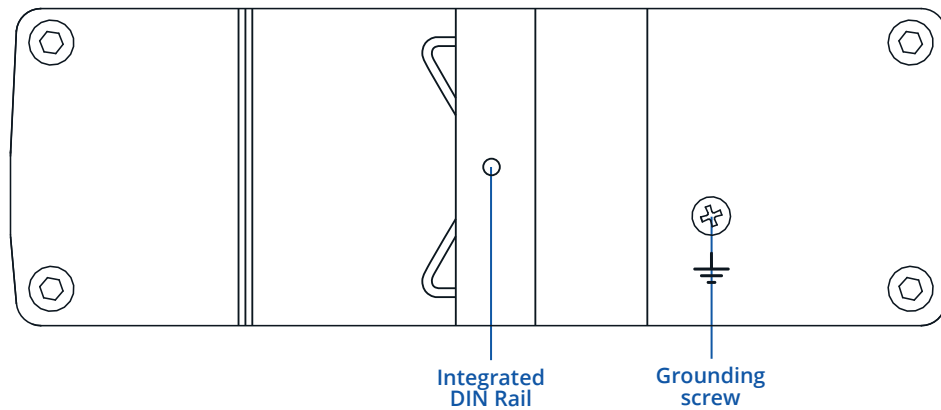


HARDWARE

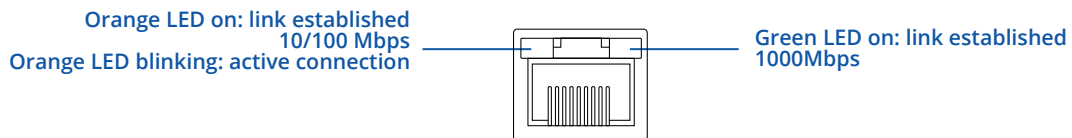
FRONT VIEW



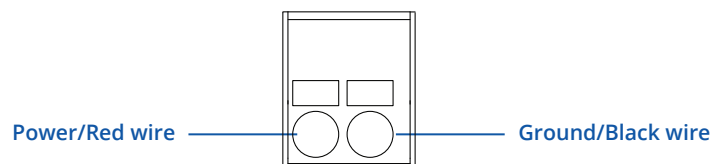
BACK VIEW



RJ45 LED MEANING



POWER SOCKET PINOUT



FEATURES

ETHERNET

LAN	8 x ETH ports, 10/100/1000 Mbps, supports auto MDI/MDIX crossover
Fiber	2 x SFP ports
IEEE 802.3 series standards	802.3i, 802.3u, 802.3ab, 802.3x, 802.3az

PERFORMANCE SPECIFICATIONS

Bandwidth (Non-blocking)	20 Gbps
Packer buffer	128 KB
MAC address table size	2K entries
Jumbo frame support	9216 bytes

POWER

Connector	2-pin industrial DC power socket
Input voltage range	7 – 57 VDC
Power consumption	Idle: ~1.03 W / Max: 3.71 W

PHYSICAL INTERFACES

Ethernet	8 x RJ45 ports, 10/100/1000 Mbps
Fiber	2 x SFP ports
Status LEDs	1 x Power LED, 16 x ETH status LEDs 2 x SFP status LEDs
Power	1 x 2-pin industrial DC power socket
Other	1 x Grounding screw

PHYSICAL SPECIFICATION

Casing material	Full aluminum housing
Dimensions (W x H x D)	132 x 44.2 x 95.1 mm
Weight	500 g
Mounting options	Integrated DIN rail bracket, wall mount, flat surface (additional kit needed)

OPERATING ENVIRONMENT

Operating temperature	-40 °C to 75 °C
Operating humidity	10% to 90% non-condensing
Ingress Protection Rating	IP30

REGULATORY & TYPE APPROVALS

Regulatory	CE, UKCA, CITC, ANRT, FCC, IC, RCM, CB
------------	--

EMC EMISSIONS & IMMUNITY

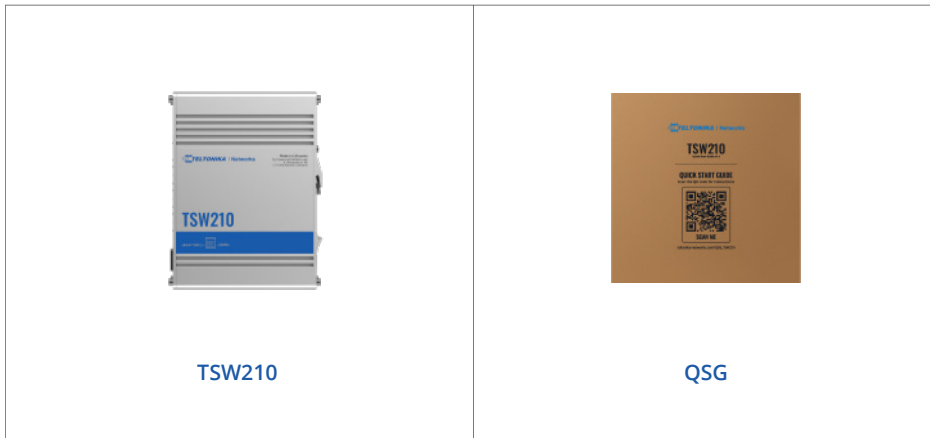
Standards	EN 55032:2015 + A1:2020 EN 55035:2017 + A11:2020 EN IEC 61000-3-2:2019 + A1:2021 EN 61000-3-3:2013 + A1:2019
ESD	EN 61000-4-2:2009
EFT	EN 61000-4-4:2012
Surge Immunity (AC Mains Power Port)	EN 61000-4-5:2014 + A1:2017
CS	EN 61000-4-6:2014
DIP	EN IEC 61000-4-11:2020

SAFETY

Standards	IEC 62368-1:2018 EN IEC 62368-1:2020+A11:2020
-----------	--

STANDARD PACKAGE*

- TSW210
- QSG (Quick Start Guide)
- Packaging box



* Standard package contents may differ based on standard order codes.

CLASSIFICATION CODES

HS Code: 851762
 HTS: 8517.62.00

For more information on all available packaging options – please contact us directly.

AVAILABLE VERSIONS

HARDWARE VERSION	SUPPORTED FREQUENCIES	STANDARD ORDER CODE / PACKAGE CONTAINS
TSW210 *****	N/A	TSW210000010 / Standard package TSW210000020 / Mass packing code

TSW210 SPATIAL MEASUREMENTS

MAIN MEASUREMENTS

W x H x D dimensions for TSW210:

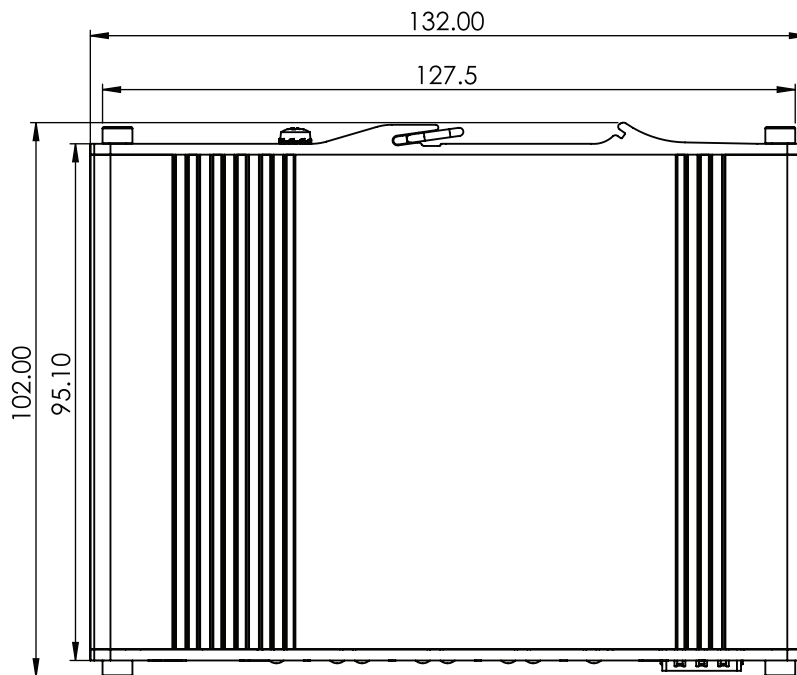
Device housing*: 132 x 44.2 x 95.1 mm

Box: 173 x 71 x 148 mm

*Housing measurements are presented without antenna connectors and screws; for measurements of other device elements look to the sections below.

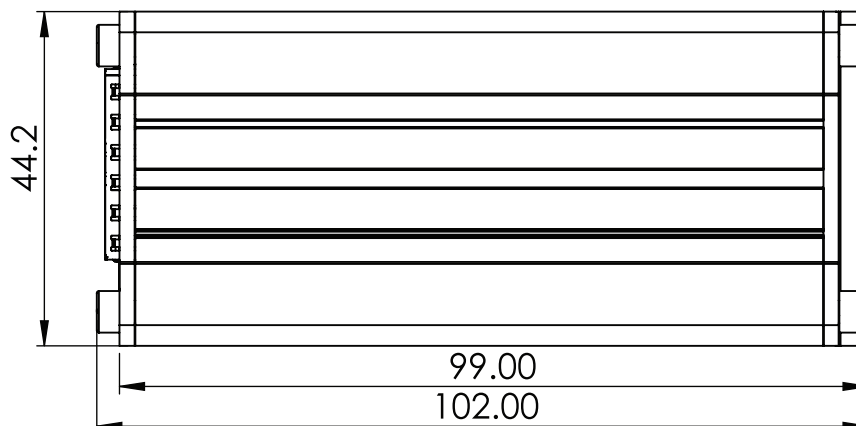
TOP VIEW

The figure below depicts the measurements of TSW210 and its components as seen from the top:



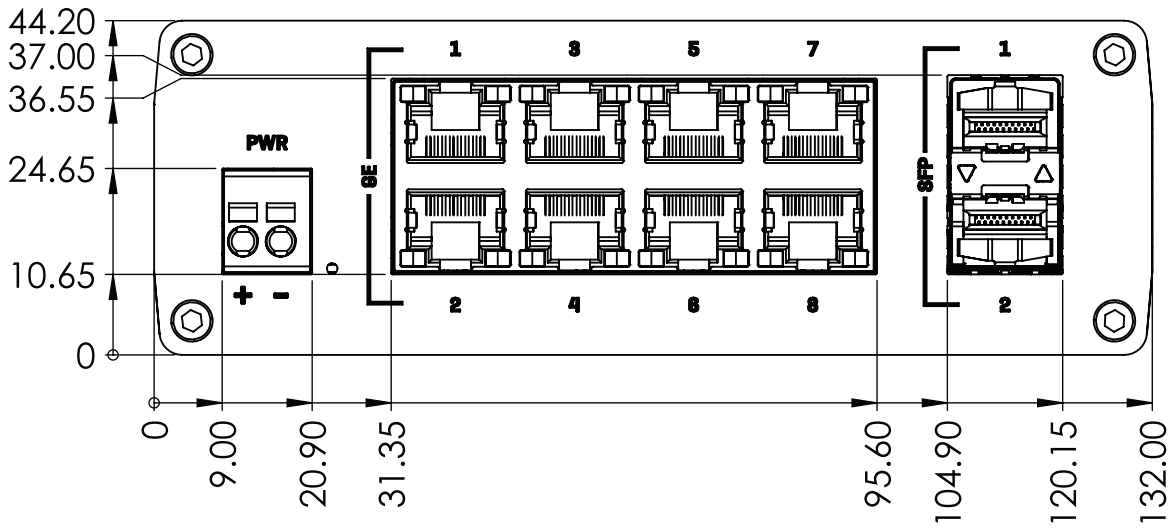
RIGHT VIEW

The figure below depicts the measurements of TSW210 and its components as seen from the right side:



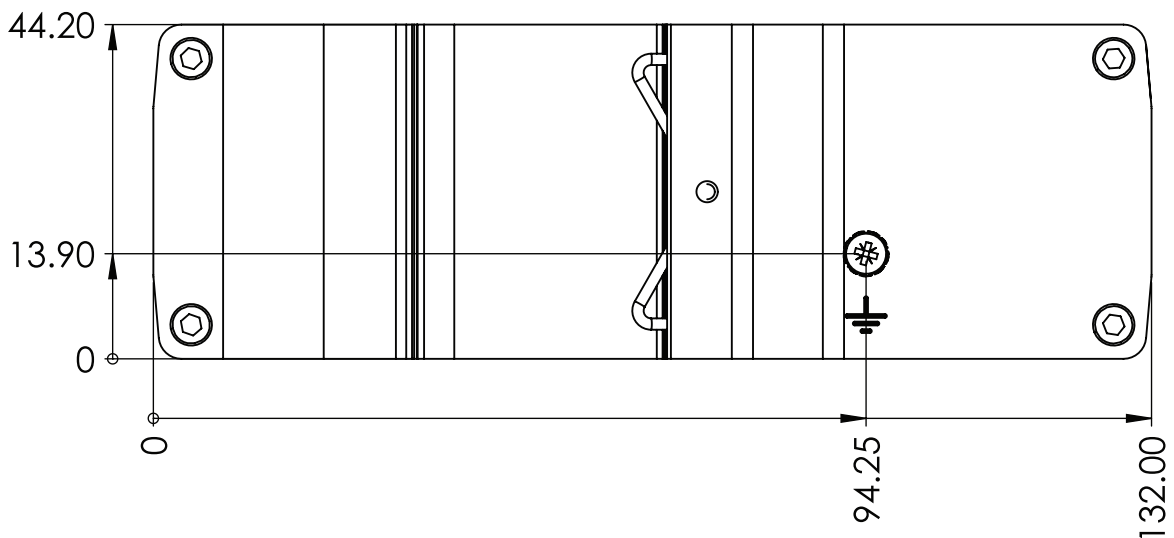
FRONT VIEW

The figure below depicts the measurements of TSW210 and its components as seen from the front panel side:



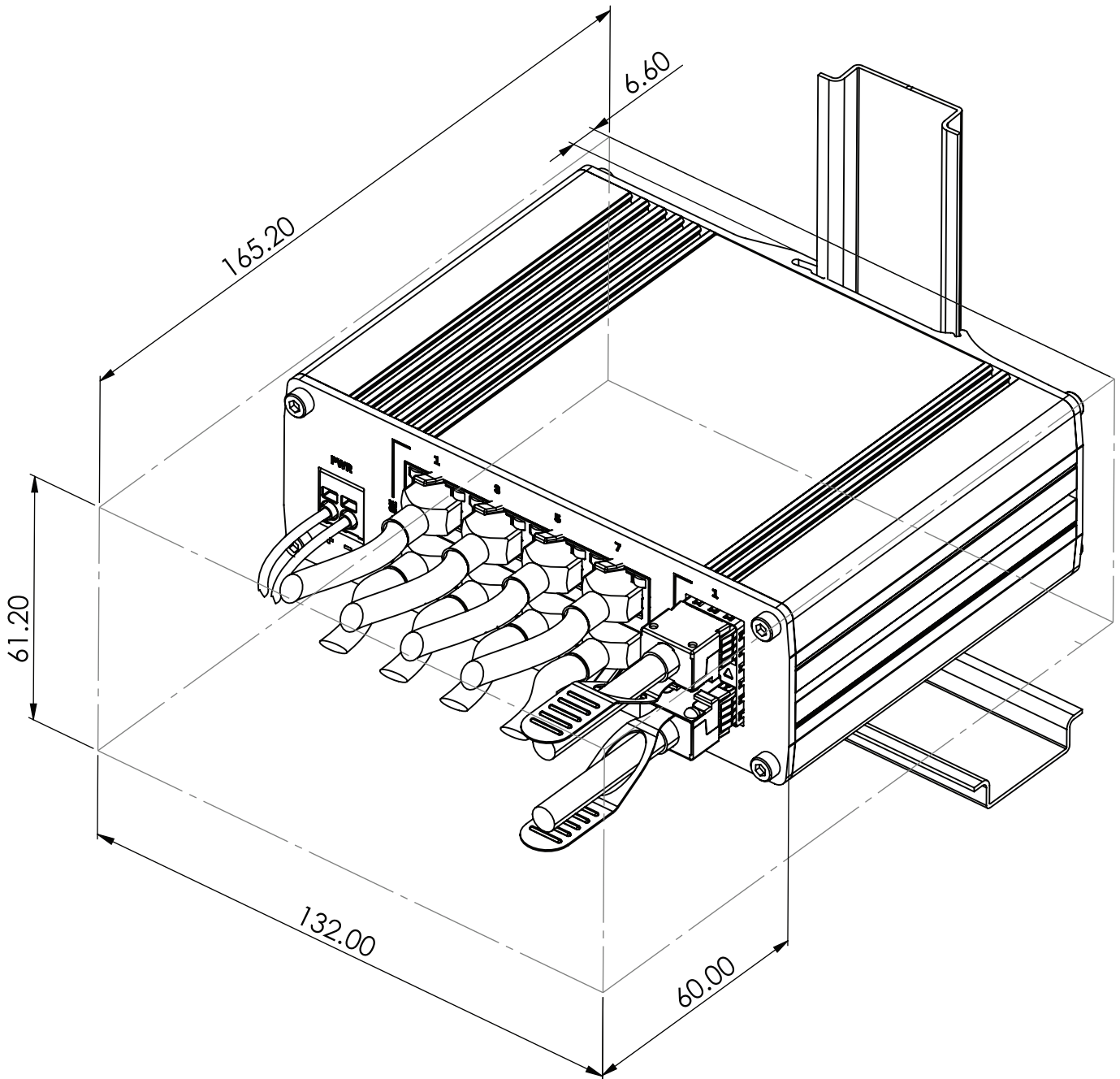
REAR VIEW

The figure below depicts the measurements of TSW210 and its components as seen from the back panel side:



MOUNTING SPACE REQUIREMENTS

The figure below depicts an approximation of the device's dimensions when cables and antennas are attached:



DIN RAIL

The scheme below depicts protrusion measurements of an attached DIN Rail:

